



# Renault TRAFIC

Vehicle user manual

رنویارت

شرکت خدماتی بازرگانی (سهامی خاص)



RENAULT

# A passion for performance



ELF, partner of  
**world series**  
by RENAULT



## RENAULT recommends ELF

Partners in cutting-edge automotive technology, Elf and Renault combine their expertise on both the racetrack and the city streets. This enduring partnership gives drivers a range of lubricants perfectly suited to Renault cars. Lasting protection and optimum performance for your engine – guaranteed. Whether changing the oil or simply topping up, to find the approved ELF lubricant best suited to your vehicle, ask your Renault dealer for a recommendation or consult your vehicle maintenance handbook.



[www.lubricants.elf.com](http://www.lubricants.elf.com)



A brand from **TOTAL**

# ***Welcome to your new vehicle***

---

**This driver's handbook** contains the information necessary:

- for you to familiarise yourself with your vehicle, to use it to its best advantage and to benefit fully from all the functions and the technical developments it incorporates.
- to ensure that it always gives the best performance by following the simple, but comprehensive advice concerning regular maintenance.
- to enable you to deal quickly with minor faults not requiring specialist attention.

It is well worth taking a few minutes to read this handbook to familiarise yourself with the information and guidelines it contains about the vehicle and its functions and new features. If certain points are still unclear, our Network technicians will be only too pleased to provide you with any additional information.

To help you, you will find the following symbols:



and



These appear in the vehicle and indicate that you should consult the manual for detailed information and/or limits on operations with respect to your vehicle's equipment.



**anywhere in the manual indicates a hazard, danger or a safety recommendation.**

The descriptions of the models given in this handbook are based on the technical specifications at the time of writing. **This handbook covers all items of equipment (both standard and optional) available for these models but whether or not these are fitted to the vehicle depends on the version, options selected and the country where the vehicle is sold. This handbook may also contain information about items of equipment to be introduced later in the model year.**

Enjoy driving your new vehicle.

Translated from French. Copying or translation, in part or in full, is forbidden unless prior written permission has been obtained from the car manufacturer.

# C O N T E N T S

## Sections

Getting to know your vehicle .....

1

Driving .....

2

Your comfort .....

3

Maintenance .....

4

Practical advice .....

5

Technical specifications .....

6

Alphabetical index .....

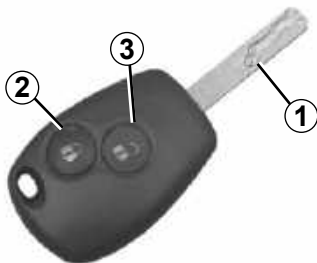
7

# Section 1: Getting to know your vehicle

Key, remote controls . . . . .	1.2
RENAULT card: General information, use, deadlocking . . . . .	1.7
Opening and closing the doors . . . . .	1.14
Tailgate . . . . .	1.22
Locking, unlocking the opening elements . . . . .	1.23
Automatic locking when driving . . . . .	1.27
Headrests - Seats . . . . .	1.28
Steering wheel/Power-assisted steering . . . . .	1.31
Seat belts. . . . .	1.32
Additional methods of restraint . . . . .	1.37
in addition to the front seat belts . . . . .	1.37
to the rear seatbelt . . . . .	1.41
side. . . . .	1.42
Child safety: General information . . . . .	1.44
Choosing a child seat mounting. . . . .	1.47
fitting a child seat, general information. . . . .	1.49
Child seats: attachment by seat belt or by Isofix system. . . . .	1.51
Child safety: deactivating/activating the front passenger airbag . . . . .	1.77
Driving position . . . . .	1.80
Instrument panel . . . . .	1.84
Trip computer . . . . .	1.90
Clock and outdoor temperature. . . . .	1.99
Rear view mirrors . . . . .	1.101
Exterior lighting and signals. . . . .	1.103
Headlight beam adjustment. . . . .	1.107
Audible and visual signals . . . . .	1.109
Washers, wipers . . . . .	1.110
Fuel tank (filling with fuel) . . . . .	1.113
Reagent tank . . . . .	1.116

## KEY, RADIO FREQUENCY REMOTE CONTROLS: general information (1/2)

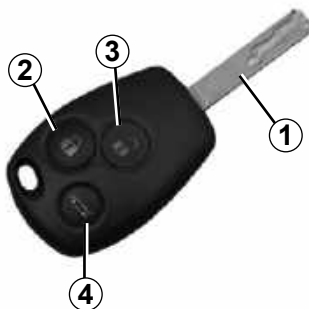
A



### Radio frequency remote control A or B

- 1 Ignition-starter key, door key.
- 2 Locking the doors and tailgate.
- 3 Unlocks all doors and boot or, depending on the vehicle, the driver's door only. Refer to the information on "Key, radio frequency remote control: use" in Section 1.

B



- 4 Locks/unlocks the boot and, depending on the vehicle, the side sliding door.

The key must not be used for any function other than those described in the handbook (removing the cap from a bottle, etc.).

### Advice

Avoid leaving the remote control in hot, cold or humid areas.



### Driver's responsibility when parking or stopping the vehicle

Never leave an animal, child or adult who is not self-sufficient alone in your vehicle, even for a short time.

They may pose a risk to themselves or to others by starting the engine, activating equipment such as the electric windows or locking the doors, for example.

Also, in hot and/or sunny weather, please remember that the temperature inside the passenger compartment increases very quickly.

**RISK OF DEATH OR SERIOUS INJURY.**

# KEY, RADIO FREQUENCY REMOTE CONTROLS: general information (2/2)

## Radio frequency remote control operating range

This varies according to the environment: take care not to lock or unlock the doors by inadvertently pressing the buttons on the remote control.

**Note:** on certain vehicles, if a door is not opened within approximately 2 minutes of the door being unlocked by remote control, the doors will lock again automatically.

## Interference

Interference by factors in the immediate vicinity (external installations or the use of equipment operating on the same frequency as the remote control) may affect the operation of the remote control.

### **For replacement, or if you require an additional remote control.**

You must only contact an approved Dealer.

- To replace a remote control, the vehicle and all its keys must be taken to an authorised dealer as the vehicle and remote control are required to initialise the system.
- Depending on the vehicle, you have the option of using up to four remote controls.

### **Remote control unit failure**

Make sure that the correct battery type is being used, and that the battery is in good condition and inserted correctly. These batteries have a service life of approximately two years.

To learn how to change the battery, please refer to the information on the “Key, radio frequency remote control: Batteries” in Section 5.

## KEYS, RADIO FREQUENCY REMOTE CONTROL: use (1/2)



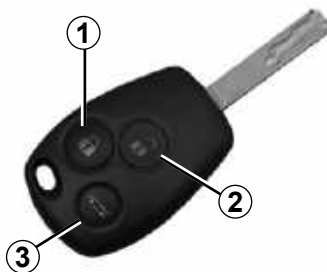
### Unlocking the doors and tailgate

#### For vehicles not fitted with unlocking of the driver's door only

Pressing and holding button **2** unlocks all the opening elements.

#### For vehicles fitted with unlocking of the driver's door only

A single press on button **2** unlocks the driver's door only. A second press within approximately 20 seconds after the first press unlocks all the doors.



A short press on button **3** unlocks the rear doors and, depending on the vehicle, the sliding side doors.

The hazard warning lights and indicator lights **flash once** to indicate that the doors have unlocked.

The key must not be used for any function other than those described in the handbook (removing the cap from a bottle, etc.).

**Note:** if a door is not opened within approximately 2 minutes of the door being unlocked by the remote control, the doors will lock again automatically.



### Driver's responsibility when parking or stopping the vehicle

Never leave an animal, child or adult who is not self-sufficient alone in your vehicle, even for a short time.

They may pose a risk to themselves or to others by starting the engine, activating equipment such as the electric windows or locking the doors, for example.

Also, in hot and/or sunny weather, please remember that the temperature inside the passenger compartment increases very quickly.

**RISK OF DEATH OR SERIOUS INJURY.**



## KEYS, RADIO FREQUENCY REMOTE CONTROL: use (2/2)

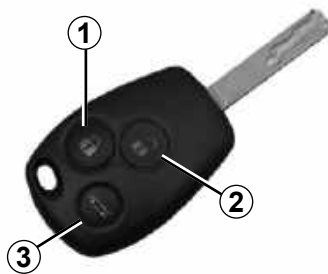


### Locking the doors and luggage compartment

Pressing button **1** unlocks all the opening elements.

A short press on button **3** unlocks the rear doors and, depending on the vehicle, the sliding side doors.

The hazard warning lights and indicator lights **flash twice** to indicate that the doors have locked.



If a door is open or incorrectly closed, the vehicle locks and then unlocks quickly and the side indicator lights and hazard warning lights do not flash.

# DEADLOCKING



26519

## Deadlocking the doors

If fitted to the vehicle, this allows the doors to be locked and prevents them from being opened with the interior handles (for example, by breaking the window and then trying to open the doors from the inside).



25028

## To activate deadlocking

Press button **1** twice in quick succession.

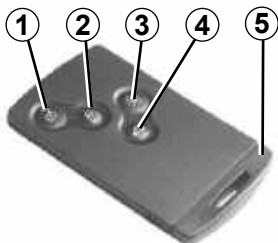
The hazard warning lights and indicator lights flash **five** times to indicate that the doors have locked.

**Special note:** deadlocking is not possible if the hazard warning lights or the side lights are lit.



Never use deadlocking if someone is still inside the vehicle.

## RENAULT CARD: general information (1/2)



- 1 Unlocking the doors and tailgate.
- 2 Locking all doors and tailgate.
- 3 Switch on the courtesy lighting remotely.
- 4 Locking/unlocking the boot and the sliding side doors.
- 5 Integrated key.

### The RENAULT card is used for:

- locking and unlocking the doors (refer to the following pages);
- switch on the vehicle lighting remotely (refer to the following pages);
- starting the engine; refer to the information on “Starting the engine” in Section 2.

### Battery life

Make sure that the correct battery type is being used, and that the battery is in good condition and inserted correctly. Its service life is approximately two years: replace it when the message “KEYCARD BATTERY LOW” appears on the instrument panel (refer to the information on the “RENAULT card: battery” in section 5).

When the battery is flat, you can still lock/unlock and start your vehicle. Refer to the information on “Locking/unlocking the doors” in Section 1 and “Starting the engine” in Section 2.

### RENAULT card operating range

This varies according to the surroundings: when handling the RENAULT card, it is important to make sure that you do not lock or unlock the doors by inadvertently pressing the buttons.



### Driver's responsibility when parking or stopping the vehicle

Never leave an animal, child or adult who is not self-sufficient alone in your vehicle, even for a short time.

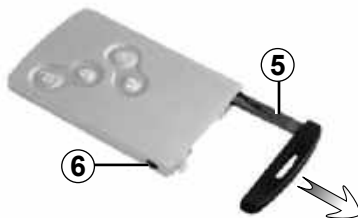
They may pose a risk to themselves or to others by starting the engine, activating equipment such as the electric windows or locking the doors, for example.

Also, in hot and/or sunny weather, please remember that the temperature inside the passenger compartment increases very quickly.

**RISK OF DEATH OR SERIOUS INJURY.**

## RENAULT CARD: general information (2/2)

26788



### Integrated key 5

The integrated key is used to lock or unlock the front left-hand door and, depending on the vehicle, the rear door when the RENAULT card does not work:

- when the RENAULT card battery is drained, flat battery, etc.
- use of devices using the same frequency as the card;
- vehicle located in a high electromagnetic radiation zone.

### Access to key 5

Press button **6** and pull on key **5** then release the button.

### Using the key

Please refer to the information on “Locking and unlocking the opening elements”.

**Once you have accessed the vehicle using the integrated key, replace it in its housing in the RENAULT card, then insert the RENAULT card into the card reader to start the vehicle.**

### Replacement: need for an additional RENAULT Card

If you lose your RENAULT card or require another, you can obtain one from an authorised dealer.

If a RENAULT card is replaced, it will be necessary to take the vehicle and **all of its RENAULT** cards to an approved Dealer to initialise the system.

You may use up to four RENAULT cards per vehicle.

### Advice

Avoid leaving the card in hot, cold or humid areas.

Do not keep the RENAULT card in a place where it could be bent or damaged accidentally, such as in a back pocket of a garment.

## “HANDS-FREE” RENAULT CARD: usage (1/4)



36509

It allows locking/unlocking without input on the card RENAULT when within the access zone **1**.

### Locking/unlocking the vehicle

There are two ways to unlock/lock the vehicle: be within the access zone or using the card RENAULT.

Do not store the RENAULT card anywhere it may come into contact with other electronic equipment (computer, phone, etc.) as this could hinder its operation.



### Driver's responsibility when parking or stopping the vehicle

Never leave an animal, child or adult who is not self-sufficient alone in your vehicle, even for a short time.

They may pose a risk to themselves or to others by starting the engine, activating equipment such as the electric windows or locking the doors, for example.

Also, in hot and/or sunny weather, please remember that the temperature inside the passenger compartment increases very quickly.

**RISK OF DEATH OR SERIOUS INJURY.**

## “HANDS-FREE” RENAULT CARD: usage (2/4)



### Be within the access zone

Depending on the vehicle, press button **2** on the handle of one of the front doors, the tailgate or the rear hinged door.

The hazard warning lights flashing tells you about the vehicle status:

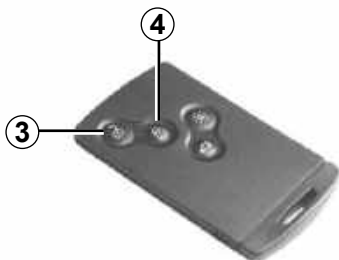
- **two flashes** indicate that the vehicle is locked.
- **one flash** indicates that the vehicle is unlocked.



### Special features relating to vehicle locking

- When locking, if a door is open or incorrectly closed, the vehicle will lock and unlock in quick succession without the hazard warning lights flashing;
- after locking by pressing button **2**, you have to wait approximately 3 seconds to be able to unlock the vehicle again.

## “HANDS-FREE” RENAULT CARD: usage (3/4)



26787

### Unlocking with the card RENAULT

Press the button 3.

The hazard warning lights **flash once** to indicate that the doors have been unlocked.

### Locking using the RENAULT card

With the doors closed, press button 4: the vehicle will lock.

The hazard warning lights **flash twice** to indicate that the doors have locked.

**NB:** The maximum distance at which the vehicle locks depends on the surroundings.



36509

### Special note:

The vehicle will not lock if:

- a door is open or not properly closed;
- the card is not in the zone 1.

After locking/unlocking the vehicle using the buttons on the RENAULT card, "hands-free" locking and unlocking is deactivated.

To reactivate the "hands-free" mode: restart the vehicle.



### Driver's responsibility when parking or stopping the vehicle

Never leave an animal, child or adult who is not self-sufficient alone in your vehicle, even for a short time.

They may pose a risk to themselves or to others by starting the engine, activating equipment such as the electric windows or locking the doors, for example.

Also, in hot and/or sunny weather, please remember that the temperature inside the passenger compartment increases very quickly.

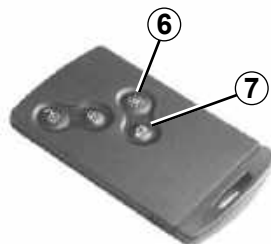
**RISK OF DEATH OR SERIOUS INJURY.**

## “HANDS-FREE” RENAULT CARD: usage (4/4)



With the engine running, if, after opening and closing a door, the card is no longer in the zone **5**, the message “KEYCARD NOT DETECTED” (together with a beep when the speed exceeds a limit) warns you that the card is no longer in the vehicle. This avoids you driving away after having dropped off a passenger who has the card, for example.

The warning disappears when the card is detected again.



### Distance lighting function

The interior lights come on for approximately 30 seconds when button **6** is pressed. This can be used, for example, to identify the vehicle from a distance when parked in a car park.

**NB:** Pressing button **6** again switches off the lighting.

### Rear opening elements locking/unlocking

Press button **7** to lock/unlock the rear hinged doors or the tailgate and, depending on the vehicle, the side doors.

The hazard warning lights flashing notifies you of the status of the rear opening elements:

- **two flashes** indicate that the rear opening elements are locked;
- **one flash** indicates that the rear opening elements are unlocked.

After locking/unlocking the vehicle using the buttons on the RENAULT card, "hands-free" locking and unlocking is deactivated.

To reactivate the “hands-free” mode: restart the vehicle.



# RENAULT CARD: deadlocking



If the vehicle is equipped with a deadlocking function, this allows you to lock the opening elements and to prevent the doors from being unlocked using the interior handles (for example, by breaking the window and then trying to open the door from the inside).



Never use deadlocking if someone is still inside the vehicle.



## To activate deadlocking

- Press the button **2** twice in quick succession;
- or
- With the vehicle unlocked, you can also press the button **3** on the driver or passenger side door twice in quick succession (or, depending on the vehicle, on the tailgate or the rear door).

In both cases, locking is indicated by the hazard warning lights flashing **five** times.

## To deactivate deadlocking

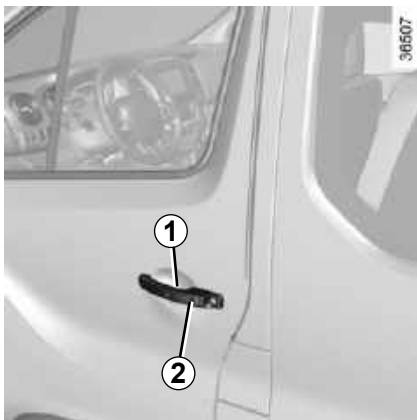
Unlock the vehicle using button **1** on the RENAULT card.

The hazard warning lights flash once to indicate that the doors have been unlocked.

After activating the deadlocking function using button **2**, “hands-free” locking and unlocking are deactivated.

To reactivate the “hands-free” mode: restart the vehicle.

## FRONT DOORS (1/2)



### Opening the doors from the outside

#### Vehicles with a remote control

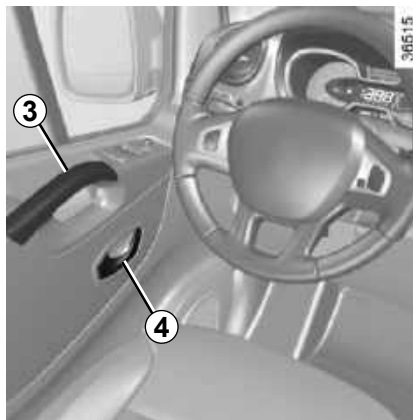
Unlock the vehicle using the remote control and pull handle **1**.

#### Vehicles with RENAULT card

With the card on your person, press button **2** to unlock the vehicle and pull handle **1**.

### Closing from the outside

Push the door. Lock it using the remote control or, for vehicles fitted with the RENAULT card, by pressing button **2**.



### Opening from the inside

Pull handle **4** and push the door.

### Closing from the inside

Pull the door exclusively using handle **3**.



As a safety precaution, the doors should only be opened or closed when the vehicle is stationary.



### Driver's responsibility when parking or stopping the vehicle

Never leave an animal, child or adult who is not self-sufficient alone on your vehicle, even for a short time.

They may pose a risk to themselves or to others by starting the engine, activating equipment such as the electric windows or locking the doors.

Also, in hot and/or sunny weather, please remember that the temperature inside the passenger compartment increases very quickly.

**RISK OF DEATH OR SERIOUS INJURY.**

## FRONT DOORS (2/2)

### Lights-on reminder buzzer

If you have switched off the ignition and left the lights switched on, a reminder buzzer will sound when a door is opened.

### Card reminder buzzer

(depending on the vehicle)

On opening the driver's door, if the card is still in the reader, the message "PLEASE REMOVE KEYCARD" is displayed on the instrument panel accompanied by a warning beep.

### Key reminder alarm

(depending on the vehicle)

If you have left the key in the ignition, an alarm will sound when the driver's door is opened.

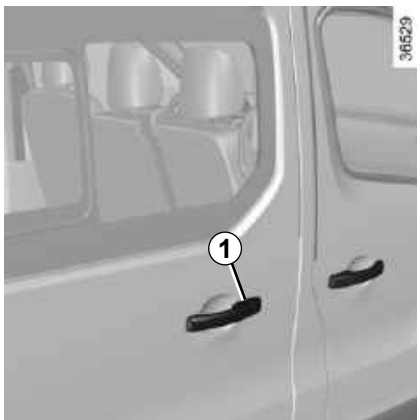
### Door/tailgate open buzzer

If a door is open or not properly closed, as soon as the vehicle reaches a speed of approximately 12 mph (20 km/h), the message "Door open" will appear on the instrument panel, accompanied by a warning light.

### Special note

Depending on the vehicle, accessories (e.g. radio) stop working either when the engine is switched off or when the driver's door is opened or when the doors are locked.

## SLIDING SIDE DOOR (1/2)



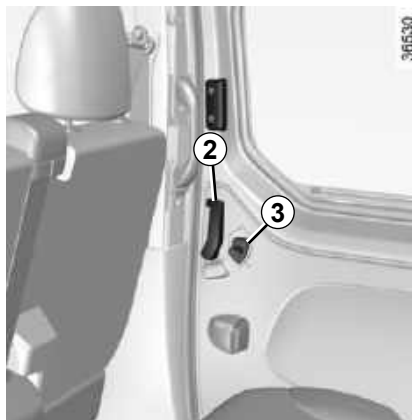
### Vehicles with a remote control

The sliding side door is locked and unlocked by pressing the remote control button.

### Vehicles with RENAULT card

The sliding side door is locked and unlocked:

- by pressing the RENAULT card buttons;
- in hands-free mode by locking/unlocking the front doors or the tailgate.



### Opening the doors from the outside

With the vehicle unlocked, pull handle **1** towards you and slide the door towards the rear.

### Opening from the inside

Pull lever **2** towards the rear and open the sliding door until it locks into position.

### Closing from the outside

Pull handle **1** and slide the door towards the front of the vehicle until it closes completely.

### Closing from the inside

Pull lever **2** towards the front and close the door until it latches.

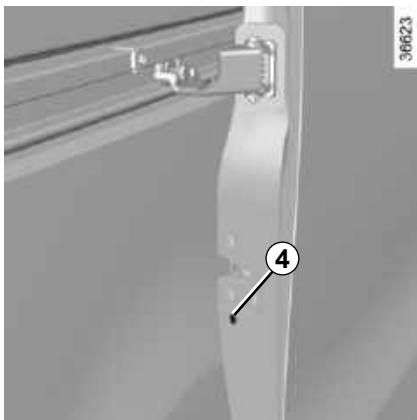
### Manual locking from inside

Lower button **3**. The sliding door is locked.



As a safety precaution, the doors should only be opened or closed when the vehicle is stationary.

## SLIDING SIDE DOOR (2/2)



### Child safety

To make it impossible for the rear doors to be opened from the inside, move screw **4** and close the door.

Check from the inside that all the doors are locked.

The door can only be opened from the outside of the vehicle.



### Driver's responsibility when parking or stopping the vehicle

Never leave an animal, child or adult who is not self-sufficient alone on your vehicle, even for a short time.

They may pose a risk to themselves or to others by starting the engine, activating equipment such as the electric windows or locking the doors.

Also, in hot and/or sunny weather, please remember that the temperature inside the passenger compartment increases very quickly.

**RISK OF DEATH OR SERIOUS INJURY.**

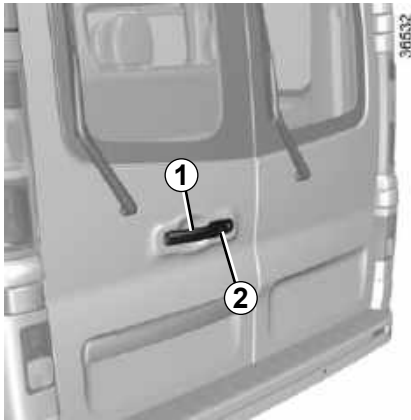


Recommendations concerning the sliding side door.

Care must be taken when opening or closing the sliding door, as is the case for any of the opening elements on the vehicle:

- Check that the door will not come into contact with any person, part of the body, animal or object.
- Only use the handles on the inside and outside of the door to operate it.
- Take care when opening and closing the door.
- Take particular care when the vehicle is parked on a slope: open or close the door fully until it latches into its locking position.
- Before moving off, always ensure that the sliding door is properly closed.

## REAR HINGED DOORS (1/4)



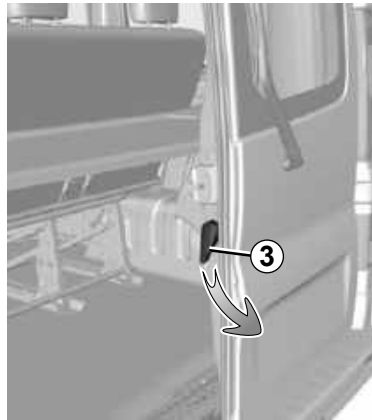
### Opening the doors from the outside

#### Vehicles with a remote control

Unlock the vehicle using the remote control and pull handle **1**.

#### Vehicles with RENAULT card

With the card on your person, press button **2** to unlock the vehicle and pull handle **1**.

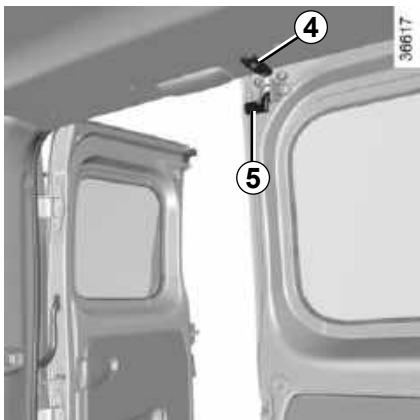


Pull the lever **3** to open the door.



If the vehicle is parked on the hard shoulder with tail-gate open, the rear lights may be obscured. You should make other road users aware of your vehicle by using a warning triangle or other equipment specified by the road traffic regulations of the country you are driving in.

## REAR HINGED DOORS (2/4)



### Driving with the right-hand door open

With the right-hand door open, close the left-hand door.

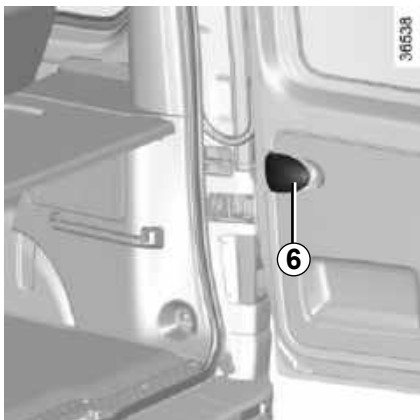
On equipped vehicles, lock the left-hand door by turning the lock **5** to put it in its housing **4**.



If driving with the right-hand rear hinged door open, always secure transported loads (please refer to the section “Transporting objects” in Section 3). The left-hand door, which remains shut, should not be used to hold transported loads in place. Using the right rear hinged door open while driving should only be done in exceptional cases.

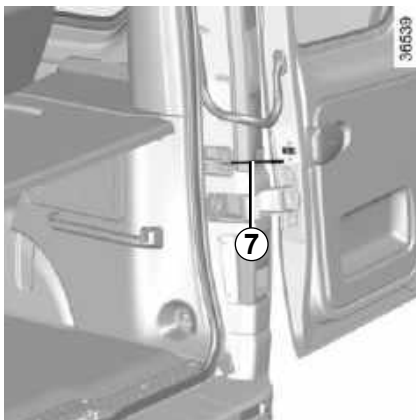
In any event, please refer to local legislation. Risk of loads falling on the road surface.

## REAR HINGED DOORS (3/4)



### Opening the doors to the maximum position

For each door, pull handle **6** to release the door check strap **7**. Open the door as far as possible.



### Closing from the outside

Partially close the right-hand door, then slam it shut.

Then repeat this with the left-hand door.

Lock.



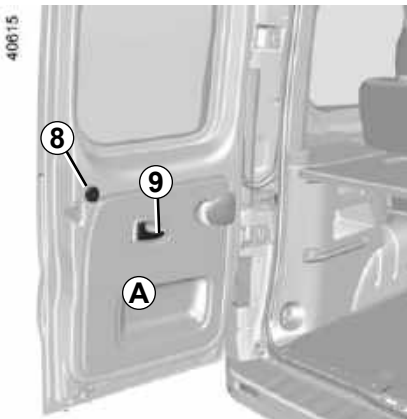
Do not leave the hinged rear doors open in case of strong winds. Risk of injury.



For your safety, check that all the vehicle's doors are properly closed before starting the engine.



## REAR HINGED DOORS (4/4)



To unlock the door **A**, refer to the information on “Central door locking/unlocking” in Section 1.

### Manual locking/unlocking from the inside

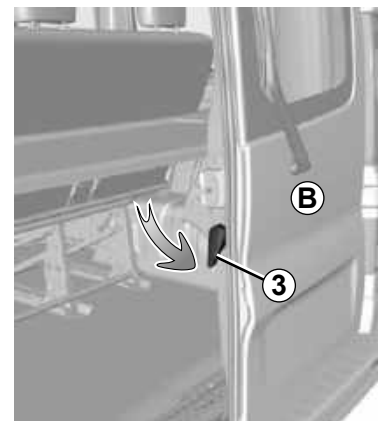
Turn the button **8** clockwise to lock the door **A**.

Turn the button **8** anticlockwise to unlock the door **A**.

### Opening from the inside

Pull the handle **9** and push the door **A**.

Pull the lever **3** and open the door **B**.



### Closing from the inside

Partially close door **B**, then slam it shut.

Then repeat this with door **A**.



Do not leave the hinged rear doors open in case of strong winds. Risk of injury.



For your safety, check that all the vehicle's doors are properly closed before starting the engine.

# TAILGATE



## Vehicles with a remote control

The tailgate is locked and unlocked by pressing the remote control button.

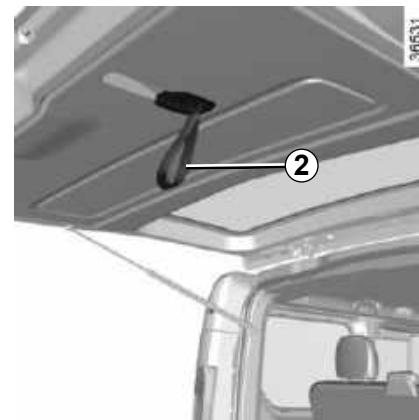
## Vehicles with RENAULT card

The tailgate is locked and unlocked:

- by pressing the RENAULT card buttons;
- in hands-free mode by locking/unlocking the front doors.

## To open

With the tailgate unlocked, press the button **1** and lift the tailgate.



## To close

Lower the tailgate, initially using the interior handle **2** to assist you.

When the tailgate has been lowered to shoulder height, release handle **2** and finish closing the tailgate by pressing down on the tailgate from the outside.

## CENTRAL LOCKING, UNLOCKING OF OPENING ELEMENTS (1/2)



### Interior locking/unlocking door control

The switch **1** simultaneously controls all the doors.

If a door is open or not properly closed, the doors lock and then quickly unlock.

If you need to transport objects with the boot open, the other opening elements can still be locked: **with the engine stopped**, press switch **1** for more than five seconds to lock the other opening elements.

### Locking the opening elements without the RENAULT card or the key

For example, in the event of a discharged battery or the RENAULT card or key temporarily not working, etc.

**With the engine off, the rear doors closed and a front door open**, press switch **1** for more than five seconds.

Make sure you have your key or RENAULT card with you before leaving your vehicle.

When the door is closed, all the doors and tailgate will be locked.

Unlocking from the outside can only be done using the key or the RENAULT card.

After locking/unlocking the vehicle using the buttons on the RENAULT card, "hands-free" locking and unlocking is deactivated.

To reactivate the "hands-free" mode: restart the vehicle.



Never leave your vehicle with the key or RENAULT card inside.

## CENTRAL LOCKING, UNLOCKING OF OPENING ELEMENTS (2/2)



### Doors and tailgate status indicator light

When the ignition is on, the indicator light integrated in switch **1** informs you of the status of the doors and tailgate:

- indicator light on, the doors and tailgate are locked;
- light off, the doors and tailgate are unlocked.

When the ignition is off, the indicator light remains lit and then goes out when you lock the doors.

### Locking the doors with the tailgate open

To lock the vehicle with the boot open (e.g. when transporting something in the boot which prevents it from being closed), or when the vehicle is located in a zone of high electromagnetic radiation, or if the card or key is faulty: with the engine switched off, press and hold switch **1** for more than five seconds.

NB: If you close the boot, it will lock.



#### Driver's responsibility

If you decide to keep the doors locked when you are driving, remember that it may be more difficult for those assisting you to gain access to the passenger compartment in the event of an emergency.



#### Driver's responsibility when parking or stopping the vehicle

Never leave an animal, child or adult who is not self-sufficient alone in your vehicle, even for a short time.

They may pose a risk to themselves or to others by starting the engine, activating equipment such as the electric windows or locking the doors, for example.

Also, in hot and/or sunny weather, please remember that the temperature inside the passenger compartment increases very quickly.

#### RISK OF DEATH OR SERIOUS INJURY.

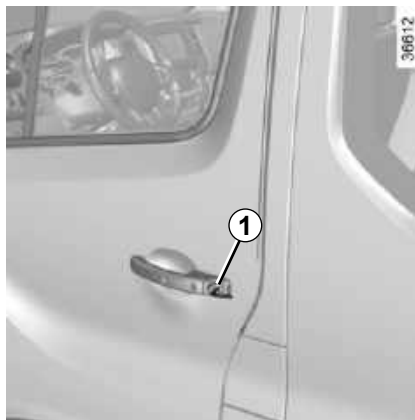
## MANUAL DOOR LOCKING, UNLOCKING (1/2)

### Locking/unlocking from the outside

This is done using the remote control or the RENAULT card: refer to the information on “Radio frequency remote control: general information” or “RENAULT card: general information” in Section 1.

**In some cases**, the radio frequency remote control or the RENAULT card may not work:

- RENAULT card/radio frequency remote control battery worn or run flat.
- if equipment operating on the same frequency as the card (mobile phones, etc.) is used;
- vehicle located in a high electromagnetic radiation zone.



It is then possible:

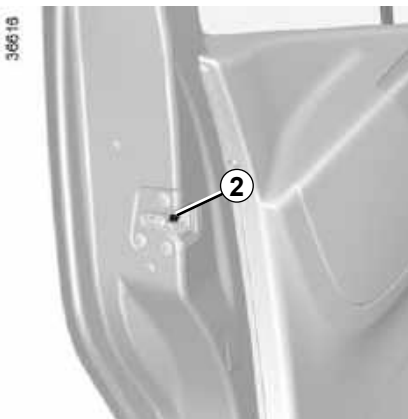
- depending on the vehicle, use the radio frequency remote control or the emergency key integrated in the card to unlock the front left-hand door, or depending on the vehicle, the rear hinged door;
- to lock each of the doors manually;
- use the interior locking/unlocking door control (please refer to the information on “Locking and unlocking the opening elements” in Section 1).



### Using the key

Insert the key into the lock **1** and lock or unlock the front left-hand door and, depending on the vehicle, the rear hinged door.

## MANUAL DOOR LOCKING, UNLOCKING (2/2)



### Locking the doors manually

Turn screw **2** with the door open (using the end of the key) and close the door. This means that the doors are then locked from the outside.

The doors may then only be opened from inside the vehicle or with the key for the front doors.

### Special feature on vehicles with a tailgate

After manually locking the doors, the tailgate remains unlocked.



### Driver's responsibility when parking or stopping the vehicle

Never leave an animal, child or adult who is not self-sufficient alone on your vehicle, even for a short time.

They may pose a risk to themselves or to others by starting the engine, activating equipment such as the electric windows or locking the doors.

Also, in hot and/or sunny weather, please remember that the temperature inside the passenger compartment increases very quickly.

**RISK OF DEATH OR SERIOUS INJURY.**

# RENAULT ANTI-INTRUDER DEVICE (RAID)



You can decide whether you want to activate this function.

## To activate

With the ignition on, press switch **1** for approximately 5 seconds until you hear a beep.

## To deactivate

With the ignition on, press and hold switch **1** for approximately 5 seconds, until you hear a beep.

## Operating principle

After the vehicle is started, the system automatically locks the doors once your speed reaches approximately 4 mph (7 km/h).

The door can be unlocked:

- by pressing the door unlocking button **1**.
- by opening a front door (vehicle stationary).

**NB:** If a door is opened or closed, it will automatically lock again when the vehicle reaches a speed of 4 mph (7 km/h).

## Operating faults

If you notice an operating fault (automatic locking impossible), first check that all doors are correctly locked. If they are correctly locked and the fault is still present, contact an approved Dealer.

Also make sure that locking has not been inadvertently deactivated.

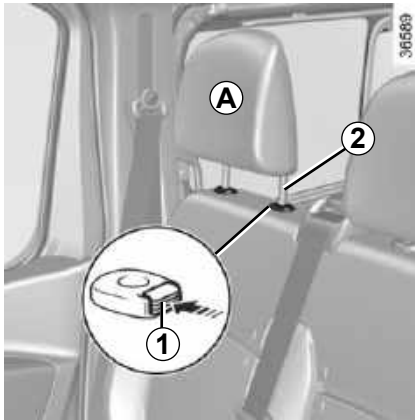
If it has, switch the ignition off and on again and reactivate it.



### Driver's responsibility

If you decide to keep the doors locked when you are driving, remember that it may be more difficult for those assisting you to gain access to the passenger compartment in the event of an emergency.

## FRONT HEADRESTS



### To raise the headrest

Pull the headrest upwards to the desired height. Check that it is correctly locked.

### To lower the headrest

Press button **1** and guide the headrest down to the desired height. Check that it is correctly locked.

### To raise the headrest

Raise the headrest to its highest position (tilt the seatback if necessary). Press button **1** and lift the headrest to release it.

### To refit the headrest

Insert the headrest rods into the holes (tilt the seatback if necessary). Lower the headrest until it locks and press button **1** to adjust to the desired height. Check that each rod **2** on the seatback is securely locked.



The headrest is important for safety. Ensure that it is in place and in the correct position: the top of the headrest should be as close as possible to the top of the head and there must be a minimal distance between the head and the headrest **A**.



## FRONT SEATS (1/2)



### Seat adjustments

#### To move forwards or backwards

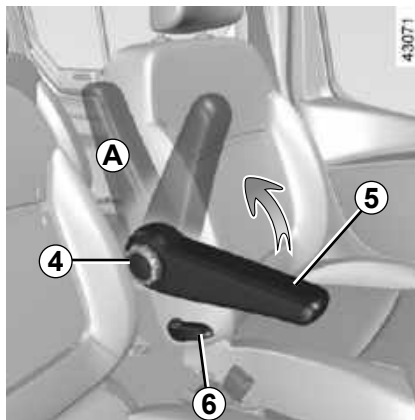
Lift handle **1** to release. Release the handle once the seat is in the correct position and ensure that the seat is locked.

#### To adjust the height of the seat base

Lower or pull lever **3** as many times as is necessary to raise or lower the seat base.

#### Lumbar adjustment

Turn control knob **4** to increase or decrease support.



### To tilt the seatback

Move lever **6**.

### Front armrests **5**

Depending on the vehicle, the front armrests **5** can be adjusted.

#### To adjust the armrest upwards

Lift armrest to the desired position.

#### To adjust the armrest downwards

Lift the armrest to the storage position along the seat back, then lower it.

### To store away the armrest

Lift the armrest to the storage position **A**. Check that it is correctly locked.

### Heated seats

**With the ignition on**, press switch **2**. The integrated indicator comes on.

The system, which has a thermostat, decides whether or not the heating is needed.



For safety reasons, carry out any adjustments when the vehicle is not being driven.

We would advise you not to recline the seatbacks too far to ensure that the effectiveness of the seat belts is not reduced.

Nothing should be placed on the floor (area in front of driver) as such objects may slide under the pedal during braking manoeuvres, thus obstructing its use.

## FRONT SEATS (2/2)



### Central passenger seat table formation

Make sure the cup holder **7** is closed.

Make sure that nothing prevents the seat from moving.

- hold the seatback by the top to guide it downwards, and simultaneously activate control **8** and fold the seatback forwards;
- press on the back of the seatback to lock it in place. Make sure you lock the seatback properly.

### To reposition the central passenger seat

Make sure that nothing prevents the seat from moving.

- Activate control **8** to unlock the seatback;
- Lift the seat back;
- Make sure the seat is correctly locked in position.



When the front seat is in table position, the front passenger air bag must be disabled (see information on “Child safety: activating/deactivating the front passenger air bag” in Section 1).

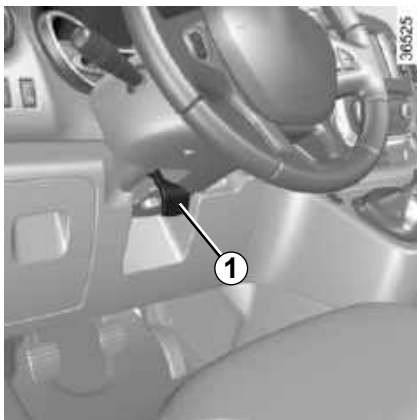
Risk of serious injury caused by items resting on the seatback table which may be dislodged when the air bag is deployed.

The label (on the dashboard) and the markings (on the windscreen) remind you of these instructions.



For your safety, attach any transported objects when the seat is in the table position.

# STEERING WHEEL/POWER-ASSISTED STEERING



## Adjusting the steering wheel height and depth

Pull lever **1** and place the steering wheel in the required position; push the lever beyond the point of resistance to lock the steering wheel in place.

Make sure that the steering wheel is correctly locked.



For safety reasons, only adjust the steering wheel when the vehicle is stationary.

## Power Assisted Steering

Never drive with an inadequately charged battery.

## Variable power assisted steering

The variable power assisted steering system is equipped with an electronic control system which alters the level of assistance to suit the vehicle speed.

Steering is made easier during parking manoeuvres (for added comfort) whilst the force needed to steer increases progressively as the speed rises (for enhanced safety at high speeds).

With the engine switched off, or if there is a system fault, it is still possible to turn the steering wheel. The force required will be greater.



Never switch off the ignition when travelling downhill, and avoid doing so in normal driving (assistance is not provided).

## SEAT BELTS (1/5)

Always wear your seat belt when travelling in your vehicle. You must also comply with the legislation of the particular country you are in.

Make sure that the rear bench seat is locked in position correctly so that the rear seat belts will operate efficiently. Refer to the information on the “Rear bench seat: functions” in Section 3.



Incorrectly adjusted or twisted seat belts may cause injuries in the event of an accident.

Use one seat belt per person, whether child or adult.

Even pregnant women should wear a seat belt. In this case, ensure that the lap belt is not exerting too much pressure on the abdomen, but do not allow any slack.

**Before starting, first adjust your driving position, then ask all occupants to adjust their seat belts to ensure optimum protection.**

### Adjusting your driving position

- **Sit well back in your seat** (having first removed your coat or jacket). This is essential to ensure your back is positioned correctly;
- **adjust the distance between the seat and the pedals.** Your seat should be as far back as possible while still allowing you to depress the clutch pedal fully. The seatback should be adjusted so that your arms are slightly bent when you hold the steering wheel;
- **adjust the position of your headrest.** For the maximum safety, your head must be as close as possible to the headrest;
- **adjust the height of the seat.** This adjustment allows you to select the seat position which offers you the best possible view;
- **adjust the position of the steering wheel.**



### Adjusting the seat belts

Sit with your back firmly against the seatback.

Shoulder strap **1** should be as close as possible to the base of the neck but not on it.

Lap belt **2** should be worn flat over the thighs and against the pelvis.

The belt should be worn so that it is as close as possible to your body, i.e.: avoid wearing heavy clothing or keeping bulky objects under the belts, etc.

## SEAT BELTS (2/5)



### Locking

Unwind the belt **slowly and smoothly** and ensure that buckle **3** locks into catch **5** (check that it is locked by pulling on buckle **3**).

If the belt jams, allow it to return slightly before attempting to unwind it again.

If your seat belt is completely jammed, pull slowly, but firmly, so that just over 3 cm unwinds. Allow it to return slightly before attempting to unwind it again.

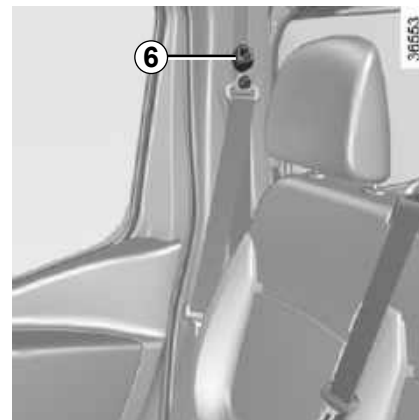
If there is still a problem, contact an approved dealer.



### Front seat belt reminder warning light

It lights up on the central display when the engine is started and, if the driver's seat belt is not fastened, the light flashes and a beep sounds for about 2 minutes when the vehicle reaches a speed of about 9.92 mph (16 km/h).

Depending on the vehicle, this flashes if the front passenger seat belt is not fastened.



### Adjusting the height of the front seat belts

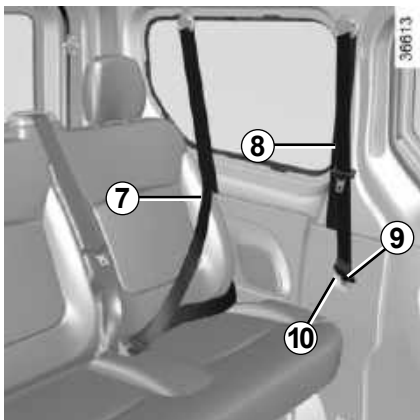
Move button **6** to select the position you require so that chest strap **1** is worn as described above.

Make sure that the seat belt is locked in position correctly after you have adjusted it.

### Unlocking

Press button **4** and the seat belt will be rewound by the inertia reel. Guide the belt.

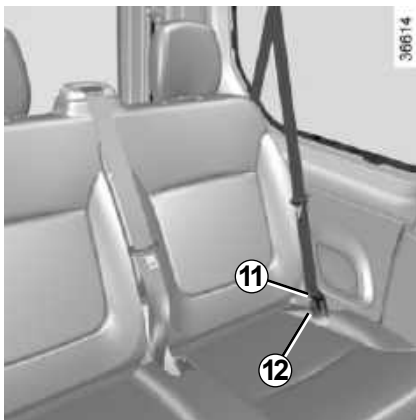
## SEAT BELTS (3/5)



### Rear side seat belts

- For the first row of rear seats, it is **mandatory** to use seat belts **8**;
- for the last row of rear seats, it is **mandatory** to use seat belts **7**.

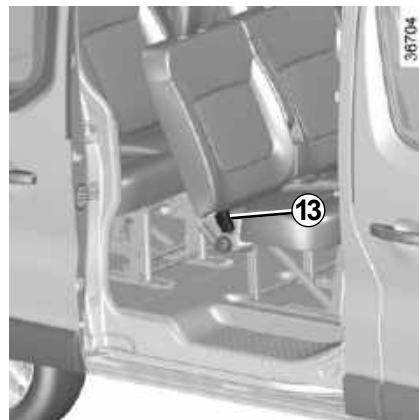
When the seat belt **8** is not in use, place the buckle **9** in its housing **10**.



### Conditions of use

Before using the rear side seat belts, make sure that for each one, the fixed buckle **11** is fully clicked into its catch **12**.

The belts are then locked and unlocked in the same way as the front seats.



### Access to the last row

To facilitate access to the last row of seats, detach the second row seat belt by unlocking it from its catch **13**. Insert the detached part of the seat belt into the small bar on the fixed part of the belt.

Remember to lock the seat belt in place once more when a passenger is occupying the seat.



Check that the rear seat belts are positioned and operating correctly each time the rear bench seat is moved.

## SEAT BELTS (4/5)



### Centre seat belts

Unwind the seat belt slowly until the buckle locks in catch **14**.



Make sure that the rear bench seats are locked in position properly so that the seat belts will operate efficiently. Refer to the information on the “Rear bench seats” in Section 3.

### Rear seat functions

Refer to the information on the “Rear bench seats” in Section 3.

## SEAT BELTS (5/5)

The following information applies to the vehicle's front and rear seat belts.



- No modification may be made to the component parts of the originally fitted restraint system: seat belts, seats and their mountings. For special operations (e.g. fitting child seats), contact an authorised dealer.
- Do not use devices which allow any slack in the belts (e.g. clothes pegs, clips, etc.): a seat belt which is worn too loosely may cause injury in the event of an accident.
- Never wear the shoulder strap under your arm or behind your back.
- Never use the same belt for more than one person and never hold a baby or child on your lap with your seat belt around them.
- The belt should never be twisted.
- Following an accident, have the seat belts checked and replaced if necessary. Always replace your seat belts as soon as they show any signs of wear.
- When the rear bench seat is being put back, make sure that the seat belts and buckles are correctly positioned so that they can be used properly.
- Make sure that the buckle is inserted into the appropriate catch.
- Ensure that no objects are placed in the area around the seat belt catch as they could prevent it from being properly secured.
- Make sure the seat belt catch is properly positioned (it should not be hidden away, crushed or flattened by people or objects).



## METHODS OF RESTRAINT IN ADDITION TO THE FRONT SEAT BELTS (1/4)

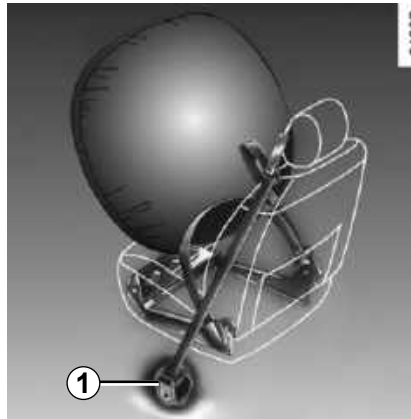
Depending on the vehicle, they may comprise:

- front seat belt inertia reel pretensioners;
- chest-level load limiters;
- air bags for driver and front passenger.

These systems are designed to act independently or together when the vehicle is subjected to a frontal impact.

Depending on the severity of the impact, the system can trigger:

- seat belt locking;
- the seat belt inertia reel pretensioner (which engages to correct seat belt slack);
- the front airbag.



### Pretensioners

The pretensioners hold the seat belt against the body, holding the occupant more securely against the seat, thus increasing the seat belt's efficiency.

With the ignition on, following a significant frontal impact and depending on the severity of the impact, the system may trigger the seat belt inertia reel pretensioner **1**, which instantly retracts the seat belt.



- Have the entire restraint system checked following an accident.
  - No operation whatsoever is permitted on any part of the system (pretensioners, air bags, computers, wiring) and the system components must not be reused on any other vehicle, even if identical.
- To avoid incorrect triggering of the system which may cause injury, only qualified personnel from an approved Dealer may work on the pretensioner and air bag system.
- The electric trigger system may only be tested by a specially trained technician using special equipment.
- When the vehicle is scrapped, contact an approved Dealer for disposal of the pretensioner and air bag gas generators.

## METHODS OF RESTRAINT IN ADDITION TO THE FRONT SEAT BELTS (2/4)

### Load limiter

Above a certain severity of impact, this mechanism is used to limit the force of the belt against the body so that it is at an acceptable level.

### Airbags driver and passenger front

Fitted to the driver and passenger sides.


An “Airbag” marking on the steering wheel and the dashboard (airbag area **A**) indicates that this device is fitted.



The passenger airbag only protects the front side passenger; the front centre passenger is only protected by the seat belt. Please follow the usual safety instructions (wearing the seat belt).

**Risk of injury in the event of an accident.**

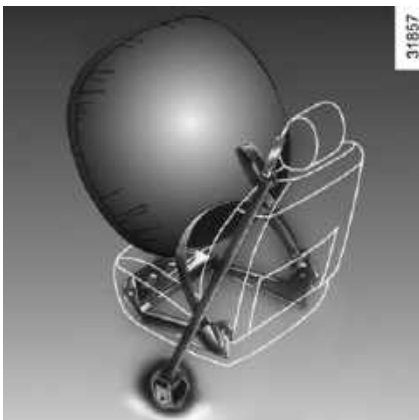
Each air bag system consists of:

- an air bag and gas generator fitted on the steering wheel for the driver and in the dashboard for the front passenger;
- an electronic unit for system monitoring which controls the gas generator electrical trigger system;
- a single  warning light on the instrument panel.



The air bag system uses pyrotechnic principles. This explains why, when the air bag inflates, it will generate heat, produce smoke (this does not mean that a fire is about to start) and make a noise upon detonation. In a situation where an air bag is required, it will inflate immediately and this may cause some minor, superficial grazing to the skin or other problems.

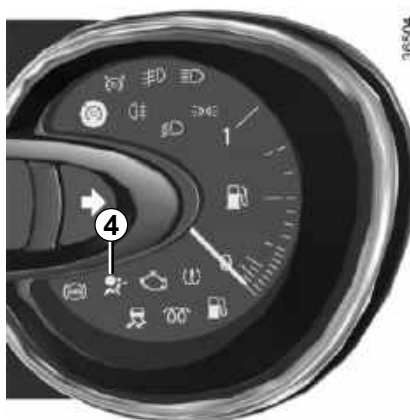
## METHODS OF RESTRAINT IN ADDITION TO THE FRONT SEAT BELTS (3/4)




### Operation

This system is only operational when the ignition is switched on.

In a severe **frontal** impact, the air bags inflate rapidly, cushioning the impact of the driver's head and chest against the steering wheel and of the front passenger against the dashboard. The air bags then deflate immediately so that the passengers are not in any way hindered from leaving the vehicle.



### Operating faults

Warning light 4  will light up on the instrument panel when the ignition is turned on and then go out after a few seconds.

If it does not light up when the ignition is switched on, or comes on when the engine is running, there is a fault in the system.

Contact your approved Dealer as soon as possible. Your protection will be reduced until this fault is rectified.

## METHODS OF RESTRAINT IN ADDITION TO THE FRONT SEAT BELTS (4/4)

All of the warnings below are given so that the air bag is not obstructed in any way when it is inflated and also to prevent the risk of serious injuries caused by items which may be dislodged when the air bag inflates.



### **Warnings concerning the driver's air bag**

- Do not modify the steering wheel or the steering wheel boss.
- Do not cover the steering wheel boss under any circumstances.
- Do not attach any objects (badge, logo, clock, telephone holder, etc.) to the steering wheel boss.
- The steering wheel must not be removed (except by qualified personnel from our Network).
- When driving, do not sit too close to the steering wheel. Sit with your arms slightly bent (see the information on “Adjusting your driving position” in Section 1). This will allow sufficient space for the air bag to deploy correctly and be fully effective.

### **Warnings concerning the passenger air bag**

- Do not attach or glue any objects (badge, logo, clock, telephone holder, etc.) to the dashboard on or near the air bag.
- Do not place anything between the dashboard and the passenger (pet, umbrella, walking stick, parcels, etc.).
- The passenger must not put his or her feet on the dashboard or seat as there is a risk that serious injuries may occur. In general, parts of the body should be kept away from the dashboard (knees, hands, head, etc.).
- The devices in addition to the front passenger seat belt should be reactivated as soon as a child seat is removed, to ensure the protection of the passenger in the event of an impact.

**A REAR-FACING CHILD SEAT MUST NOT BE FITTED TO THE FRONT PASSENGER SEAT UNLESS THE ADDITIONAL RESTRAINT SYSTEMS, I.E. THE PASSENGER AIR BAG, ARE DEACTIVATED.**

(refer to the information on “Child safety: deactivating/activating the front passenger air bag” in Section 1)

# METHODS OF RESTRAINT IN ADDITION TO REAR SEAT BELTS

## Force limiter

Above a certain level of impact force, this mechanism is used to limit the force of the belt against the body so that it is at an acceptable level.



- Have the entire restraint system checked following an accident.
- No operation whatsoever is permitted on any part of the system (pretensioners, air bags, computers, wiring) and the system components must not be reused on any other vehicle, even if identical.
- To avoid incorrect triggering of the system which may cause injury, only qualified personnel from an approved dealer may work on the pretensioner and air bag system.
- The electric trigger system may only be tested by a specially trained technician using special equipment.
- When the vehicle is scrapped, contact an approved dealer for disposal of the pretensioner and air bag gas generators.

# SIDE PROTECTION DEVICES

## Side Airbags

These airbags may be fitted to individual seats and are deployed at the sides of the seats (door side) to protect the occupants in the event of a severe side impact.

## Curtain Airbags

These are airbags fitted to each upper side of the vehicle. They deploy along the front door side windows to protect occupants in the event of a severe side impact.



### Warning relating to the side airbag

- **Fitting seat covers:** seats equipped with an airbag require covers specifically designed for your vehicle. Contact an approved Dealer to find out if these covers are available. The use of any covers other than those designed for your vehicle (and including those designed for another vehicle) may affect the operation of the airbags and reduce your protection.
- Do not place any accessories, objects or even pets between the seatback, the door and the internal fittings. Do not cover the seatback with any items such as clothes or accessories. This may prevent the air bag from operating correctly or cause injury when the airbag is deployed.
- No work or modification whatsoever may be carried out on the seat or internal fittings, except by qualified personnel from an approved Dealer.

## ADDITIONAL METHODS OF RESTRAINT

All of the warnings below are given so that the airbag is not obstructed in any way when it is inflated and also to prevent the risk of serious injuries caused by items which may be dislodged when it inflates.



The airbag is designed to complement the action of the seat belt. Both the air bags and seat belts are integral parts of the same protection system. It is therefore essential to wear seat belts at all times. If seat belts are not worn, the occupants are exposed to the risk of serious injury in the event of an accident. It may also increase the risk of minor superficial injuries occurring when the airbag is deployed, although such minor injuries are always possible with air bags.

If the vehicle should overturn or in the event of a rear impact, however severe, the pretensioners and airbags are not always triggered. Impacts to the underside of the vehicle, e.g. from pavements, potholes or stones, can all trigger these systems.

- No work or modification **whatsoever** may be carried out on any part of the airbag system (airbags, pretensioners, computer, wiring harness, etc.), except by qualified Network personnel.
- To ensure that the system is in good working order and to avoid accidental triggering of the system which may cause injury, only qualified Network personnel may work on the airbag system.
- As a safety precaution, have the airbag system checked if your vehicle has been involved in an accident, or is stolen or broken into.
- When selling or lending the vehicle, inform the user of these points and hand over this handbook with the vehicle.
- When scrapping your vehicle, contact your approved Dealer for disposal of the gas generator(s).

## CHILD SAFETY: General information (1/2)

### Carrying children

Children, and adults, must be correctly seated and strapped in for all journeys. The children being carried in your vehicle are your responsibility.

A child is not a miniature adult. Children are at risk of specific injuries as their muscles and bones have not yet finished growing. The seat belt alone would not provide suitable protection. Use an approved child seat and ensure you use it correctly.



To prevent the doors being opened, use the “Child safety” device (refer to the information on “Opening and closing the doors” in Section 1).



A collision at 30 mph (50 km/h) is the same as falling a distance of 10 metres.

Transporting a child without a restraint is the equivalent of allowing him or her to play on a fourth-floor balcony without railings.

Never travel with a child held in your arms. In the event of an accident, you will not be able to keep hold of the child, even if you yourself are wearing a seat belt.

If your vehicle has been involved in a road accident, replace the child seat and have the seat belts and ISOFIX anchorage points checked.



### Driver's responsibility when parking or stopping the vehicle

Never leave an animal, child or adult who is not self-sufficient alone on your vehicle, even for a short time.

They may pose a risk to themselves or to others by starting the engine, activating equipment such as the electric windows or by locking the doors.

Also, in hot and/or sunny weather, please remember that the temperature inside the passenger compartment increases very quickly.

**RISK OF DEATH OR SERIOUS INJURY.**



## CHILD SAFETY: General information (2/2)

### Using a child seat

The level of protection offered by the child seat depends on its ability to restrain your child and on its installation. Incorrect installation compromises the protection it offers the child in the event of harsh braking or an impact.

Before purchasing a child seat, check that it complies with the regulations for the country you are in and that it can be fitted in your vehicle. Consult an approved dealer to find out which seats are recommended for your vehicle.

Before fitting a child seat, read the manual and respect its instructions. If you experience any difficulties during installation, contact the manufacturer of the equipment. Keep the instructions with the seat.

Set a good example by always fastening your seat belt and teaching your child:

- to strap themselves in correctly;
- to always get in and out of the car at the kerb, away from busy traffic.

Do not use a second-hand child seat or one without an instruction manual.

Check that there are no objects in the vicinity of the child seat which could impede its operation.



Never leave a child unattended in the vehicle.

Check that your child is always strapped in and that the belt or safety harness used is correctly set and adjusted. Avoid wearing bulky clothing which could cause the belts to slacken.

Never let your child put their head or arms out of the window.

Check that the child is in the correct position for the entire journey, especially if asleep.

## CHILD SAFETY: choosing a child seat



31235

### Rear-facing child seats

A baby's head is, proportionally, heavier than that of an adult and its neck is very fragile. Transport the child in this position for as long as possible (until the age of 2 at the very least). It supports both the head and the neck.

Choose a bucket type seat for best side protection and change it as soon as the child's head is higher than the shell.



38824

### Forward-facing child seats

The child's head and abdomen need to be protected as a priority. A forward-facing child seat which is firmly attached to the vehicle will reduce the risk of impact to the head. Ensure your child travels in a forward-facing seat with a harness for as long as their size permits.

Choose a bucket type seat for optimum side protection.



31234

### Booster cushions

From 15 kg or 4 years, the child can travel using a booster seat, which will enable the seat belt to be adapted to suit his/her size and shape. The booster seat cushion must be fitted with guides to position the seat belt on the child's thighs rather than the stomach. It is recommended that you use a seat-back fitted with a belt strap guide which can be adjusted in terms of height to position the seat belt in the centre of the shoulder. It must never rest on the neck or on the arm.

Choose a bucket type seat for optimum side protection.

## CHILD SAFETY: choosing a child, baby seat mounting (1/2)

There are two ways of attaching child seats: via the seat belt or using the ISOFIX system.

### Attachment via the seat belt

The seat belt must be adjusted to ensure that it is effective in the event of harsh braking or an impact.

Ensure that the strap paths indicated by the child seat manufacturer are respected.

Always check that the seat belt is correctly fastened by pulling it up, then pulling it out fully whilst pressing on the child seat.

Check that the seat is correctly held by moving it from side to side and back to front: the seat should remain firmly fixed.

Check that the child seat has not been installed at an angle and that it is not resting against a window.



Do not use the child seat if it may unfasten the seat belt restraining it: the base of the seat must not rest on the buckle and/or catch of the seat belt.



Before using an ISOFIX child seat that you purchased for another vehicle, check that its installation is authorised. Consult the list of vehicles which can be fitted with the seat from the equipment manufacturer.

### Attachment using the ISOFIX system

Authorised ISOFIX child seats are approved in accordance with regulation ECE-R44 in one of the three following cases:

- ISOFIX universal 3-point forward-facing seat;
- ISOFIX semi-universal 2-point seat;
- specific.

For the latter two, check that your child seat can be installed by consulting the list of compatible vehicles.

Attach the child seat with the ISOFIX locks, if these are provided. The ISOFIX system allows quick, easy, safe fitting.

The ISOFIX system consists of 2 rings and, in some cases, a third ring.

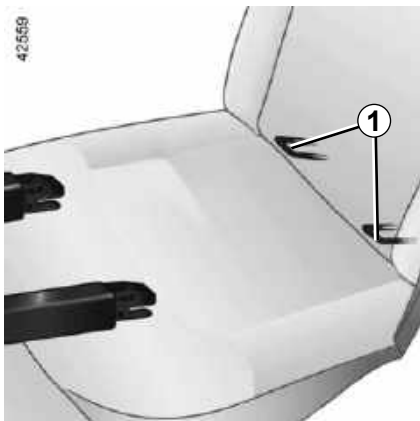



The seat belt must never be twisted or the tension relieved. Never pass the shoulder strap under the arm or behind the back.

Check that the seat belt has not been damaged by sharp edges.

If the seat belt does not operate normally, it will not protect the child. Consult an approved dealer. Do not use this seat until the seat belt has been repaired.

## CHILD SAFETY: choosing a child, baby seat mounting (2/2)



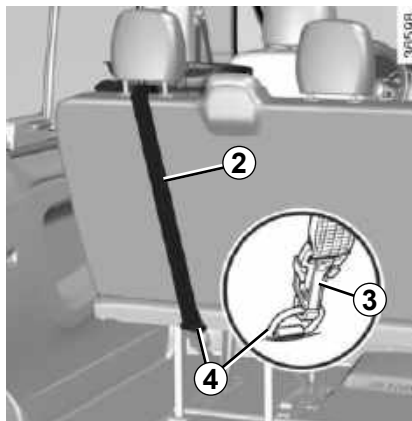
The two rings **1** are located between the seatback and the seat base of the seat and are identified by a marking .



No modifications may be made to the component parts of the restraint system (seat belts, ISOFIX and seats and their mountings) originally fitted.




The ISOFIX anchorage points have been exclusively designed for child seats with the ISOFIX system. Never fit a different type of child seat, seat belt or other objects to these anchorage points. Check that nothing is obstructing the anchorage points. If your vehicle has been involved in a road accident, have the ISOFIX anchorage points checked and replace your child seat.



### Front-facing seat mounting ring for rear side seats

The third ring is used to attach the upper strap on some child seats.

- Place the headrest in the top position or remove it;
- pass the belt **2** (supplied with the seat) between the two rear headrest rods;
- the hook **3** **must** be attached to the ring **4** marked by the symbol  to the rear of the seat;
- pull the belt so that the child seat comes into contact with the vehicle seatback.



Check that the seatback of the forward-facing child seat is in contact with the back of the vehicle seat. In this case, the child seat may not always rest on the base of the vehicle seat.

## CHILD SAFETY: fitting a child seat, general information (1/2)

Some seats are not suitable for fitting child seats. The diagram on the following page shows you how to attach a child seat.

The types of child seat indicated may not be available. Before using a different child seat, check with the manufacturer that it can be fitted.



Ensure that the child seat or the child's feet do not prevent the front seat from locking correctly. Refer to the information on the "Front seat" in Section 1.

Check that when installing the child seat in the vehicle it is not at risk of coming loose from its base.

If you have to remove the headrest, check that it is correctly stored so that it does not come loose under harsh braking or impact.

Always attach the child seat to the vehicle even if it is not in use so that it does not come loose under harsh braking or impact.

### In the front seat

The laws concerning children traveling in the front passenger seat differ in every country. Consult the legislation in force and follow the indications on the diagram on the following page.

Before fitting a child seat in this seat (if authorised):

- lower the seat belt as far as possible;
- move the seat as far back as possible;
- gently tilt the seatback away from vertical (approximately 25°);
- on equipped vehicles, raise the seat base as far as possible.

In all situations, reinsert the headrest to its full extent so that it does not interfere with the child seat (see the information on "Front headrests" in Section 1);

After installing the child seat, when this is possible, you can move the vehicle seat forward if necessary (so as to leave enough space in the rear seats for passengers or other child seats). In the case of a rear-facing child seat, do not let it touch the dashboard or move it to the furthest forward position.

Do not change other settings after installing the child seat.



### **RISK OF DEATH OR SERIOUS INJURY:**

Before installing a child seat on the front passenger seat, check that the airbag has been deactivated (please refer to "Child safety: front passenger airbag deactivation and activation" in Section 1).

## CHILD SAFETY: fitting a child seat, general information (2/2)

### In the rear side seat

A carrycot can be installed across the vehicle and will take up at least two seats.

Position the child with their feet nearest the door.

Move the front seat as far forward as possible to install a rear-facing child seat, then move back the seat in front as far as it will go, although without allowing it to come into contact with the child seat.

For the safety of the child in the forward-facing position:

- do not push the seat in front of the child back further than halfway along its runners;
- do not recline the seatback too far (maximum of 25°) and raise the seat as much as possible.

In all situations, remove the rear headrests (refer to the information on the “Rear headrests” in Section 3). This must be done before fitting the child seat.

Check that the forward-facing child seat is resting against the back of the vehicle seat.

### Rear centre seat

Check that the belt is suitable for securing your child seat. Consult an approved dealer.



A child seat with a floor support must never be installed on the rear centre seat.

**RISK OF DEATH OR  
SERIOUS INJURY.**



Fit the child seat in a rear seat wherever possible.


## CHILD SEATS: attachment by seat belt (1/14)


### 2-seater van




### 3-seater van



 Check the status of the air bag before fitting a child seat or allowing a passenger to use the seat.

 Seat not suitable for fitting child seats.

#### Child seat attached using the belt

 Seat which allows a child seat with “Universal” approval to be attached by a seat belt.



Using a child safety system which is not approved for this vehicle will not correctly protect the baby or child. They risk serious or even fatal injury.



**RISK OF DEATH OR SERIOUS INJURY:** before fitting a rear-facing child seat on the front passenger seat, check that the air bag has been deactivated (refer to the information on “Deactivating the front passenger air bag” in Section 1).

## CHILD SEATS: attachment by seat belt (2/14)

The table below summarises the information already shown on the diagram on the previous page, to ensure the applicable regulations are respected.

Two or three-seater van versions				
Type of child seat	Weight of the child	Front passenger seat(s) (2)		
		With single passenger seat (1)	With two-seater bench seat	
			Centre seat	Side seat
<b>Shell seat/rear-facing seat</b> Groups 0, 0+ and 1	< 13 kg and 9 to 18 kg	U	X	U
<b>Forward-facing seat</b> Group 1	9 to 18 kg	U	X	U
<b>Booster seat</b> Groups 2 and 3	15 to 25 kg and 22 to 36 kg	U	X	U

**X** Seat which does not allow a child seat to be fitted.

**U** Seat which allows a child seat with “Universal” approval to be installed using a seat belt; check that it can be fitted.

(1) Forward-facing child seat; position the seatback of the child seat in contact with the seatback of the vehicle seat. Raise the headrest. Raise the seat to the maximum and position it as far back as possible, tilting the seatback slightly (approximately 25°).



**(2) RISK OF DEATH OR SERIOUS INJURY:** before fitting a rear-facing child seat on the front passenger seat, check that the airbag has been deactivated (please refer to the information on “Child safety: front passenger airbag deactivation/activation” in Section 1).



## CHILD SEATS: attachment by seat belt (3/14)

### 5-seater Combi



#### **RISK OF DEATH OR SERIOUS INJURY:**

before fitting a rear-facing child seat on the front passenger seat, check that the airbag has been deactivated (please refer to the information on “Child safety: front passenger airbag deactivation, activation” in Section 1).



Using a child safety system which is not approved for this vehicle will not correctly protect the baby or child.

They risk serious or even fatal injury.



Check the status of the air bag before fitting a child seat or allowing a passenger to use the seat.

#### **Child seat attached using the belt**



Seat which allows a seat with “Universal” approval to be fitted using a seat belt;



Seat not suitable for fitting child seats.

## CHILD SEATS: attachment by seat belt (4/14)

The table below summarises the information already shown on the diagram on the previous page, to ensure the applicable regulations are respected.

5-seater Combi version				
Type of child seat	Weight of the child	Front passenger seat (1) (2)	Rear side seat	Rear centre seat
<b>Carrycot fitted across the vehicle</b> Group 0	< 10 kg	X	U (3)	U (3)
			U (3)	
<b>Rear-facing shell seat</b> Groups 0 and 0+	< 13 kg	U	U (4)	U (4)
<b>Rear-facing seat</b> Groups 0+ and 1	< 13 kg and 9 to 18 kg	U	U (4)	U (4)
<b>Forward-facing seat</b> Group 1	9 to 18 kg	X	U (5)	U (5)
<b>Booster seat</b> Groups 2 and 3	15 to 25 kg and 22 to 36 kg	X	U (5)	U (5)



**(1) RISK OF DEATH OR SERIOUS INJURY:** before fitting a rear-facing child seat on the front passenger seat, check that the airbag has been deactivated (please refer to the information on “Child safety: front passenger airbag deactivation/activation” in Section 1).

## **CHILD SEATS: attachment by seat belt (5/14)**

**X** = Seat not suitable for fitting child seats of this type.

**U** = Seat which allows a child seat with "Universal" approval to be installed using a seat belt; check that it can be fitted.

- (2) Raise the seat to the maximum and position it as far back as possible, tilting the seatback slightly (approximately 25°).
- (3) A carrycot can be installed across the vehicle and will take up at least two seats. Position the child with his or her feet nearest the door.
- (4) Move the front seat as far forward as possible to install a rear-facing child seat, then move back the seat in front as far as it will go, although without allowing it to come into contact with the child seat.
- (5) Forward-facing child seat; position the seatback of the child seat in contact with the seatback of the vehicle seat. In all situations, remove the rear headrest of the seat on which the child seat is positioned. This must be done before fitting the child seat (please refer to the section entitled "Rear headrests" in Section 3). Do not push the seat in front of the child more than halfway back on its runners and do not recline the seatback more than 25°.

## CHILD SEATS: attachment by seat belt (6/14)

The table below summarises the information already shown in the diagram on the following pages, to ensure the applicable regulations are respected.

6-seater Combi version					
Type of child seat	Weight of the child	Front seat		Rear seat	
		centre passenger	side passenger (1)	side	centre
<b>Carrycot fitted across the vehicle</b> Group 0	< 10 kg	X	X	U (2)	U (2)
<b>Rear-facing shell seat</b> Groups 0 and 0+	< 13 kg	X	U	U (3)	U (3)
<b>Rear-facing seat</b> Groups 0+ and 1	< 13 kg and 9 to 18 kg	X	U	U (3)	U (3)
<b>Forward-facing seat</b> Group 1	9 to 18 kg	X	X	U (4)	U (4)
<b>Booster seat</b> Groups 2 and 3	15 to 25 kg and 22 to 36 kg	X	X	U (4)	U (4)



**(1) RISK OF DEATH OR SERIOUS INJURY:** before fitting a rear-facing child seat on the front passenger seat, check that the airbag has been deactivated (please refer to the information on “Child safety: front passenger airbag deactivation/activation” in Section 1).

## **CHILD SEATS: attachment by seat belt (7/14)**

**X** = Seat not suitable for fitting child seats of this type.

**U** = Seat which allows a child seat with "Universal" approval to be installed using a seat belt; check that it can be fitted.

- (2) A carrycot can be installed across the vehicle and will take up at least two seats. Position the child with his or her feet nearest the door.
- (3) Move the front seat as far forward as possible to install a rear-facing child seat, then move back the seat in front as far as it will go, although without allowing it to come into contact with the child seat.
- (4) Forward-facing child seat; position the seatback of the child seat in contact with the seatback of the vehicle seat. In all situations, remove the rear headrest of the seat on which the child seat is positioned. This must be done before fitting the child seat (please refer to the section entitled "Rear headrests" in Section 3). Do not push the seat in front of the child more than halfway back on its runners and do not recline the seatback more than 25°.

## CHILD SEATS: attachment by seat belt (8/14)

### 6-seater Combi



#### **RISK OF DEATH OR SERIOUS INJURY:**

before fitting a rear-facing child seat on the front passenger seat, check that the airbag has been deactivated (please refer to the information on "Child safety: front passenger airbag deactivation, activation" in Section 1).



Using a child safety system which is not approved for this vehicle will not correctly protect the baby or child.

They risk serious or even fatal injury.



Check the status of the air bag before fitting a child seat or allowing a passenger to use the seat.

#### **Child seat attached using the belt**



Seat which allows a seat with "Universal" approval to be fitted using a seat belt;



Seat not suitable for fitting child seats.

## CHILD SEATS: attachment by seat belt (9/14)

### 8-seater combi/bus



#### **RISK OF DEATH OR SERIOUS INJURY:**

before fitting a rear-facing child seat on the front passenger seat, check that the airbag has been deactivated (please refer to the information on "Child safety: front passenger airbag deactivation, activation" in Section 1).



Using a child safety system which is not approved for this vehicle will not correctly protect the baby or child.

They risk serious or even fatal injury.



Check the status of the air bag before fitting a child seat or allowing a passenger to use the seat.

#### **Child seat attached using the belt**



Seat which allows a seat with "Universal" approval to be fitted using a seat belt;



Seat not suitable for fitting child seats.

## CHILD SEATS: attachment by seat belt (10/14)

The table below summarises the information already shown on the diagram on the previous page, to ensure the applicable regulations are respected.

8-seater Bus/Combi version						
Type of child seat	Weight of the child	Front passenger seat (1) (2)	Rear seat			
			2nd row side seats	2nd row centre seat	3rd row side seats	3rd row centre seat
<b>Carrycot fitted across the vehicle</b> Group 0	< 10 kg	X	U (3)	U (3)	U (3)	U (3)
<b>Rear-facing shell seat</b> Groups 0 and 0+	< 13 kg	U	U (4)	U (4)	U (4)	U (4)
<b>Rear-facing seat</b> Groups 0+ and 1	< 13 kg and 9 to 18 kg	U	U (4)	U (4)	U (4)	U (4)
<b>Forward-facing seat</b> Group 1	9 to 18 kg	X	U (5)	U (5)	U (5)	U (5)
<b>Booster seat</b> Groups 2 and 3	15 to 25 kg and 22 to 36 kg	X	U (5)	U (5)	U (5)	U (5)



**(1) RISK OF DEATH OR SERIOUS INJURY:** before fitting a rear-facing child seat on the front passenger seat, check that the airbag has been deactivated (please refer to the information on “Child safety: front passenger airbag deactivation/activation” in Section 1).



## **CHILD SEATS: attachment by seat belt (11/14)**

**X** = Seat not suitable for fitting child seats of this type.

**U** = Seat which allows a child seat with "Universal" approval to be installed using a seat belt; check that it can be fitted.

- (2) Raise the seat to the maximum and position it as far back as possible, tilting the seatback slightly (approximately 25°).
- (3) A carrycot can be installed across the vehicle and will take up at least two seats. Position the child with his or her feet nearest the door.
- (4) Move the front seat as far forward as possible to install a rear-facing child seat, then move back the seat in front as far as it will go, although without allowing it to come into contact with the child seat.
- (5) Forward-facing child seat; position the seatback of the child seat in contact with the seatback of the vehicle seat. In all situations, remove the rear headrest of the seat on which the child seat is positioned. This must be done before fitting the child seat (please refer to the section entitled "Rear headrests" in Section 3). Do not push the seat in front of the child more than halfway back on its runners and do not recline the seatback more than 25°.

## CHILD SEATS: attachment by seat belt (12/14)

The table below summarises the information already shown in the diagram on the following pages, to ensure the applicable regulations are respected.

9-seater Bus/Combi version							
Type of child seat	Weight of the child	Front seat		Rear seat			
		centre passenger	side passenger (1)	2nd row side seats	2nd row centre	3rd row side seats	3rd row centre seat
<b>Carrycot fitted across the vehicle</b> Group 0	< 10 kg	X	X	U (2)	U (2)	U (2)	U (3)
<b>Rear-facing shell seat</b> Groups 0 and 0+	< 13 kg	X	U	U (3)	U (3)	U (3)	U (3)
<b>Rear-facing seat</b> Groups 0+ and 1	< 13 kg and 9 to 18 kg	X	U	U (4)	U (3)	U (3)	U (3)
<b>Forward-facing seat</b> Group 1	9 to 18 kg	X	X	U (4)	U (4)	U (4)	U (4)
<b>Booster seat</b> Groups 2 and 3	15 to 25 kg and 22 to 36 kg	X	X	U (4)	U (4)	U (4)	U (4)



**(1) RISK OF DEATH OR SERIOUS INJURY:** before fitting a rear-facing child seat on the front passenger seat, check that the airbag has been deactivated (please refer to the information on “Child safety: front passenger airbag deactivation/activation” in Section 1).

## **CHILD SEATS: attachment by seat belt (13/14)**

**X** = Seat not suitable for fitting child seats of this type.

**U** = Seat which allows a child seat with "Universal" approval to be installed using a seat belt; check that it can be fitted.

- (2) A carrycot can be installed across the vehicle and will take up at least two seats. Position the child with his or her feet nearest the door.
- (3) Move the front seat as far forward as possible to install a rear-facing child seat, then move back the seat in front as far as it will go, although without allowing it to come into contact with the child seat.
- (4) Forward-facing child seat; position the seatback of the child seat in contact with the seatback of the vehicle seat. In all situations, remove the rear headrest of the seat on which the child seat is positioned. This must be done before fitting the child seat (please refer to the section entitled "Rear headrests" in Section 3). Do not push the seat in front of the child more than halfway back on its runners and do not recline the seatback more than 25°.

# CHILD SEATS: attachment by seat belt (14/14)

## 9-seater combi/bus



Check the status of the air bag before fitting a child seat or allowing a passenger to use the seat.

### Child seat attached using the belt



Seat which allows a seat with “Universal” approval to be fitted using a seat belt;



Seat not suitable for fitting child seats.



**RISK OF DEATH OR SERIOUS INJURY:** before fitting a rear-facing child seat on the front passenger seat, check that the air bag has been deactivated (refer to the information on “Deactivating the front passenger air bag” in Section 1).



Using a child safety system which is not approved for this vehicle will not correctly protect the baby or child. They risk serious or even fatal injury.

# CHILD SEATS: attachment using the ISOFIX system (1/12)

## 5-seater Combi

### Child seat attached using the ISOFIX mounting



Seat which allows an ISOFIX child seat to be fitted.

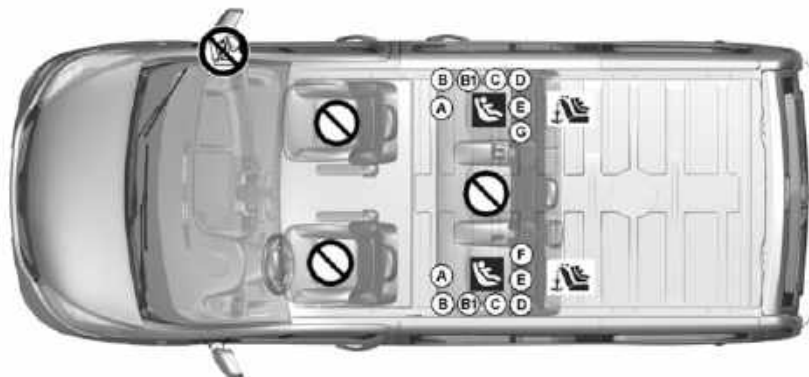


The rear seats are fitted with an anchorage point which allows a forward-facing ISOFIX child seat with universal approval to be fitted. The anchorage points are located in the luggage compartment and are visible.

The size of the ISOFIX child seat is indicated by a letter:

- A, B and B1: for forward-facing seats in group 1 (9 to 18 kg);
- C: rear-facing seats in group 1 (9 to 18 kg);
- D and E: shell seat or rear-facing seats in group 0 or 0+ (less than 13 kg);
- F and G: carrycots in group 0 (less than 10 kg).

42171



Seat which does not allow a child seat to be fitted.



Using a child safety system which is not approved for this vehicle will not correctly protect the baby or child. They risk serious or even fatal injury.

## CHILD SEATS: attachment using the ISOFIX system (2/12)

The table below summarises the information already shown on the diagram on the previous page, to ensure the applicable regulations are respected.

5-seater Combi version					
Type of child seat	Weight of the child	Seat size ISOFIX	Front passenger seat	Rear side seat	Rear centre seat
<b>Carrycot fitted across the vehicle</b> Group 0	< 10 kg	F	X	IL (1)	X
		G			
<b>Rear-facing shell seat</b> Groups 0 and 0+	< 13 kg	E	X	IL (2)	X
<b>Rear-facing seat</b> Groups 0+ and 1	< 13 kg and 9 to 18 kg	C, D	X	IL (2)	X
<b>Forward-facing seat</b> Group 1	9 to 18 kg	A, B, B1	X	IUF- IL (3)	X
<b>Booster seat</b> Groups 2 and 3	15 to 25 kg and 22 to 36 kg		X	IUF- IL (3)	X

## **CHILD SEATS: attachment using the ISOFIX system (3/12)**

**X** = Seat not suitable for fitting child seats ISOFIX.

**IUF/IL** = On equipped vehicles, seat which allows an approved “Universal”/“semi-universal” or “vehicle specific” child seat to be attached using the ISOFIX system; check that it can be fitted.

- (1)** A carrycot can be installed across the vehicle and will take up at least two seats. Position the child with his or her feet nearest the door.
- (2)** Move the front seat as far forward as possible to install a rear-facing child seat, then move back the seat in front as far as it will go, although without allowing it to come into contact with the child seat.
- (3)** Forward-facing child seat; position the seatback of the child seat in contact with the seatback of the vehicle seat. In all situations, remove the rear headrest of the seat on which the child seat is positioned. This must be done before fitting the child seat (please refer to the section entitled “Rear headrests” in Section 3). Do not push the seat in front of the child more than halfway back on its runners and do not recline the seatback more than 25°.

## CHILD SEATS: attachment using the ISOFIX system (4/12)

The table below summarises the information already shown in the diagram on the following pages, to ensure the applicable regulations are respected.

6-seater Combi version						
Type of child seat	Weight of the child	Size of ISOFIX seat	Front seat		Rear seat	
			centre passenger	passenger side	side	centre
<b>Carrycot fitted across the vehicle</b> Group 0	< 10 kg	F	X	X	X	X
		G				
<b>Rear-facing shell seat</b> Groups 0 and 0+	< 13 kg	E	X	X	IL (2)	X
<b>Rear-facing seat</b> Groups 0+ and 1	< 13 kg and 9 to 18 kg	C	X	X	X	X
		D				
<b>Forward-facing seat</b> Group 1	9 to 18 kg	A, B, B1	X	X	IUF- IL (3)	X
<b>Booster seat</b> Groups 2 and 3	15 to 25 kg and 22 to 36 kg		X	X	IUF- IL (3)	X



## **CHILD SEATS: attachment using the ISOFIX system (5/12)**

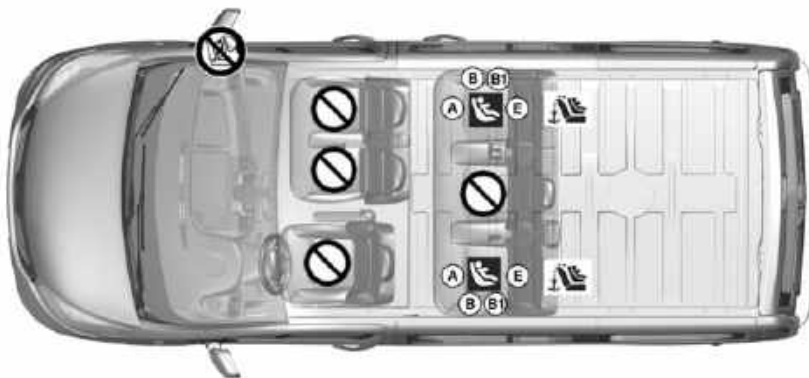
**X** = Seat not suitable for fitting child seats ISOFIX.

**IUF/IL** = On equipped vehicles, seat which allows an approved “Universal”/“semi-universal” or “vehicle specific” child seat to be attached using the ISOFIX system; check that it can be fitted.

- (1)** A carrycot can be installed across the vehicle and will take up at least two seats. Position the child with his or her feet nearest the door.
- (2)** Move the front seat as far forward as possible to install a rear-facing child seat, then move back the seat in front as far as it will go, although without allowing it to come into contact with the child seat.
- (3)** Forward-facing child seat; position the seatback of the child seat in contact with the seatback of the vehicle seat. In all situations, remove the rear headrest of the seat on which the child seat is positioned. This must be done before fitting the child seat (please refer to the section entitled “Rear headrests” in Section 3). Do not push the seat in front of the child more than halfway back on its runners and do not recline the seatback more than 25°.

# CHILD SEATS: attachment using the ISOFIX system (6/12)

## 6-seater Combi



366-40

### Child seat attached using the ISOFIX mounting



Seat which allows an ISOFIX child seat to be fitted.



The rear seats are fitted with an anchorage point which allows a forward-facing ISOFIX child seat with universal approval to be fitted. The anchorage points are located in the luggage compartment and are visible.

The size of the ISOFIX child seat is indicated by a letter:

- A, B and B1: for forward-facing seats in group 1 (9 to 18 kg);
- C: rear-facing seats in group 1 (9 to 18 kg);
- D and E: shell seat or rear-facing seats in group 0 or 0+ (less than 13 kg);
- F and G: carrycots in group 0 (less than 10 kg).



Seat which does not allow a child seat to be fitted.



Using a child safety system which is not approved for this vehicle will not correctly protect the baby or child. They risk serious or even fatal injury.

# CHILD SEATS: attachment using the ISOFIX system (7/12)

## 8-seater combi/bus

### Child seat attached using the ISOFIX mounting



Seat which allows an ISOFIX child seat to be fitted.

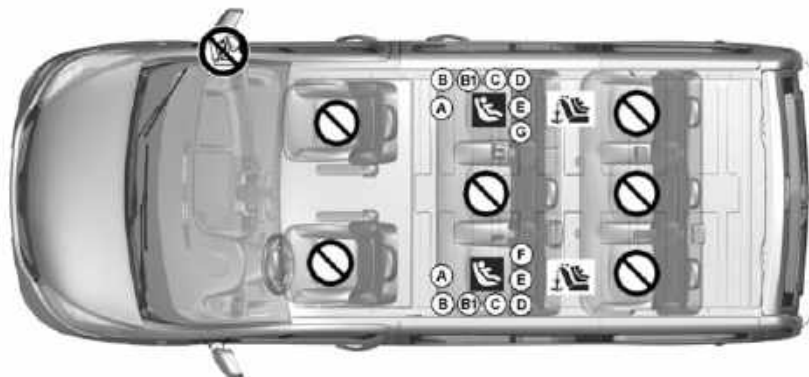


The rear seats are fitted with an anchorage point which allows a forward-facing ISOFIX child seat with universal approval to be fitted. The anchorage points are located in the luggage compartment and are visible.

The size of the ISOFIX child seat is indicated by a letter:

- A, B and B1: for forward-facing seats in group 1 (9 to 18 kg);
- C: rear-facing seats in group 1 (9 to 18 kg);
- D and E: shell seat or rear-facing seats in group 0 or 0+ (less than 13 kg);
- F and G: carrycots in group 0 (less than 10 kg).

42170



Seat which does not allow a child seat to be fitted.



Using a child safety system which is not approved for this vehicle will not correctly protect the baby or child. They risk serious or even fatal injury.

## CHILD SEATS: attachment using the ISOFIX system (8/12)

The table below summarises the information already shown on the diagram on the previous page, to ensure the applicable regulations are respected.

8-seater Bus/Combi version							
Type of child seat	Weight of the child	Size of ISOFIX seat	Front passenger seat	Rear seat			
				2nd row side seats	2nd row centre seat	3rd row side seats	3rd row centre seat
<b>Carrycot fitted across the vehicle</b> Group 0	< 10 kg	F	X	IL (1)	X	X	X
		G					
<b>Rear-facing shell seat</b> Groups 0 and 0+	< 13 kg	E	X	IL (2)	X	X	X
<b>Rear-facing seat</b> Groups 0+ and 1	< 13 kg and 9 to 18 kg	C, D	X	IL (2)	X	X	X
<b>Forward-facing seat</b> Group 1	9 to 18 kg	A, B, B1	X	IUF- IL (3)	X	X	X
<b>Booster seat</b> Groups 2 and 3	15 to 25 kg and 22 to 36 kg		X	IUF- IL (3)	X	X	X

## **CHILD SEATS: attachment using the ISOFIX system (9/12)**

**X** = Seat not suitable for fitting child seats ISOFIX.

**IUF/IL** = On equipped vehicles, seat which allows an approved “Universal”/“semi-universal” or “vehicle specific” child seat to be attached using the ISOFIX system; check that it can be fitted.

- (1)** A carrycot can be installed across the vehicle and will take up at least two seats. Position the child with his or her feet nearest the door.
- (2)** Move the front seat as far forward as possible to install a rear-facing child seat, then move back the seat in front as far as it will go, although without allowing it to come into contact with the child seat.
- (3)** Forward-facing child seat; position the seatback of the child seat in contact with the seatback of the vehicle seat. In all situations, remove the rear headrest of the seat on which the child seat is positioned. This must be done before fitting the child seat (please refer to the section entitled “Rear headrests” in Section 3). Do not push the seat in front of the child more than halfway back on its runners and do not recline the seatback more than 25°.

## CHILD SEATS: attachment using the ISOFIX system (10/12)

The table below summarises the information already shown on the diagram on the following pages, to ensure the applicable regulations are respected.

9-seater Bus/Combi version								
Type of child seat	Weight of the child	Size of ISOFIX seat	Front seat		Rear seat			
			centre passenger	passenger side	2nd row side seats	2nd row centre	3rd row side seats	3rd row centre seat
<b>Carrycot fitted across the vehicle</b> Group 0	< 10 kg	F						
		G	X	X	X	X	X	X
<b>Rear-facing shell seat</b> Groups 0 and 0+	< 13 kg	E	X	X	IL (2)	X	X	X
<b>Rear-facing seat</b> Groups 0+ and 1	< 13 kg and 9 to 18 kg	C						
		D	X	X	X	X	X	X
<b>Forward-facing seat</b> Group 1	9 to 18 kg	A, B, B1	X	X	IUF- IL (3)	X	X	X
<b>Booster seat</b> Groups 2 and 3	15 to 25 kg and 22 to 36 kg		X	X	IUF- IL (3)	X	X	X

## **CHILD SEATS: attachment using the ISOFIX system (11/12)**

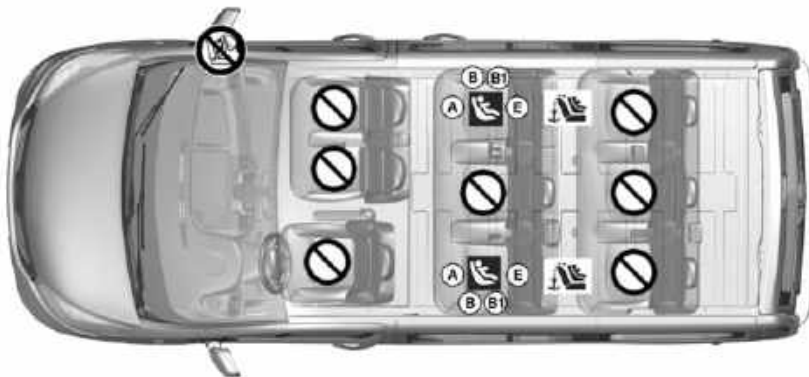
**X** = Seat not suitable for fitting child seats ISOFIX.

**IUF/IL** = On equipped vehicles, seat which allows an approved “Universal”/“semi-universal” or “vehicle specific” child seat to be attached using the ISOFIX system; check that it can be fitted.

- (1)** A carrycot can be installed across the vehicle and will take up at least two seats. Position the child with his or her feet nearest the door.
- (2)** Move the front seat as far forward as possible to install a rear-facing child seat, then move back the seat in front as far as it will go, although without allowing it to come into contact with the child seat.
- (3)** Forward-facing child seat; position the seatback of the child seat in contact with the seatback of the vehicle seat. In all situations, remove the rear headrest of the seat on which the child seat is positioned. This must be done before fitting the child seat (please refer to the section entitled “Rear headrests” in Section 3). Do not push the seat in front of the child more than halfway back on its runners and do not recline the seatback more than 25°.

# CHILD SEATS: attachment using the ISOFIX system (12/12)

## 9-seater combi/bus



36639

### Child seat attached using the ISOFIX mounting



Seat which allows an ISOFIX child seat to be fitted.



The rear seats are fitted with an anchorage point which allows a forward-facing ISOFIX child seat with universal approval to be fitted. The anchorage points are located in the luggage compartment and are visible.

The size of the ISOFIX child seat is indicated by a letter:

- A, B and B1: for forward-facing seats in group 1 (9 to 18 kg);
- C: rear-facing seats in group 1 (9 to 18 kg);
- D and E: shell seat or rear-facing seats in group 0 or 0+ (less than 13 kg);
- F and G: carrycots in group 0 (less than 10 kg).



Seat which does not allow a child seat to be fitted.



Using a child safety system which is not approved for this vehicle will not correctly protect the baby or child. They risk serious or even fatal injury.



## CHILD SAFETY: deactivating, activating the front passenger air bag (1/3)



### Deactivating the front passenger air bag


Before installing a child seat on the front passenger seat:

- check that the child seat can be installed on this seat;
- it is essential to **deactivate** the airbag for a rear-facing child seat.



To deactivate the airbag: **stationary vehicle, ignition off**, push and turn lock **1** to the **OFF** position.

With the ignition on, you **must** check

that the warning light  **2** on the display **2** is lit up and, depending on the vehicle, that the message “airbag passenger deactivated” is displayed.

**This light remains permanently lit to let you know that you can fit a child seat.**



### DANGER


Since operation of the front passenger airbag is not compatible with the position of a rear-facing child seat, **NEVER** fit a rear-facing child restraint system in a seat protected by an **ACTIVATED** front **AIRBAG**. This can lead to the **DEATH** of the **CHILD** or **SERIOUS INJURY**.



The passenger airbag must only be deactivated or activated when the **vehicle is stationary**.

If it is interfered with when the vehicle is being driven, indicator lights



and  will come on. Switch the ignition off then on again to reset the airbag in accordance with the lock position.

## CHILD SAFETY: deactivating, activating the front passenger air bag (2/3)



A

36770



The markings on the dashboard and labels **A** on each side of the passenger sun visor **3** (example: label shown above) remind you of these instructions.



### DANGER

Since operation of the front passenger airbag is not compatible with the position of a rear-facing child seat, **NEVER** fit a rear-facing child restraint system in a seat protected by an **ACTIVATED** front **AIRBAG**. This can lead to the **DEATH** of the **CHILD** or **SERIOUS INJURY**.

## CHILD SAFETY: deactivating, activating the front passenger air bag (3/3)





### Activating the front passenger air bag

You should reactivate the airbag as soon as you remove the child seat from the front passenger seat to ensure the protection of the front passenger in the event of an impact.



To reactivate the airbag : with the vehicle stopped and the ignition off, push and turn lock **1** to the **ON** position. With the ignition switched on, you **must**

check that the warning light  **2** is out and that the warning light  comes on the display **2** after each start-up for around 60 seconds.

The front passenger seat belt additional restraint systems are activated.

### Operating faults

It is forbidden to fit a rear-facing child seat to the front passenger seat if the airbag activation/deactivation system is faulty.

Allowing any other passenger to sit in that seat is not recommended.

Contact your approved dealer as soon as possible.



The passenger airbag must only be deactivated or activated when the **vehicle is stationary**.

If it is interfered with when the vehicle is being driven, indicator lights

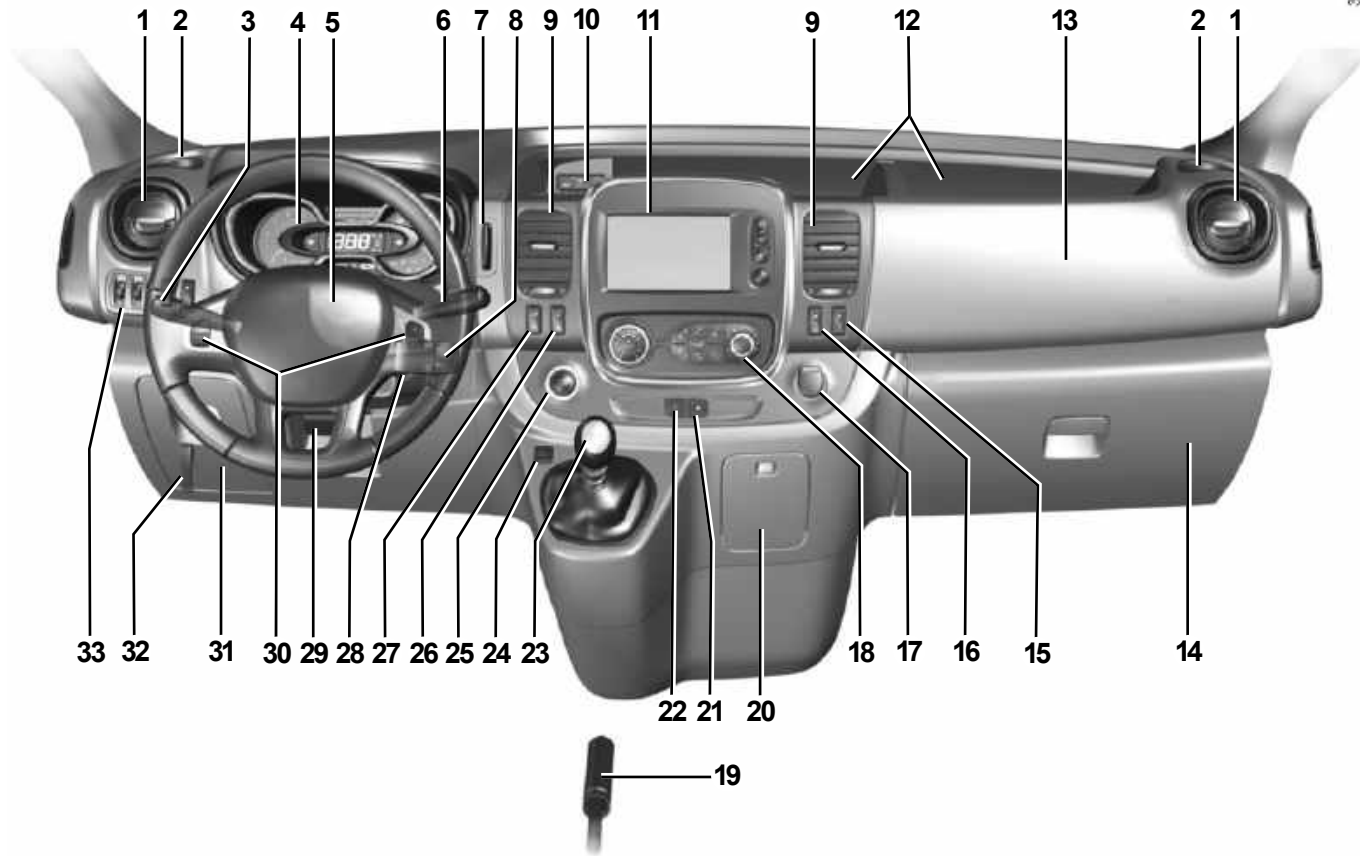


and  will come on.

Switch the ignition off then on again to reset the airbag in accordance with the lock position.

# DRIVING POSITION: LEFT-HAND DRIVE (1/2)

36546



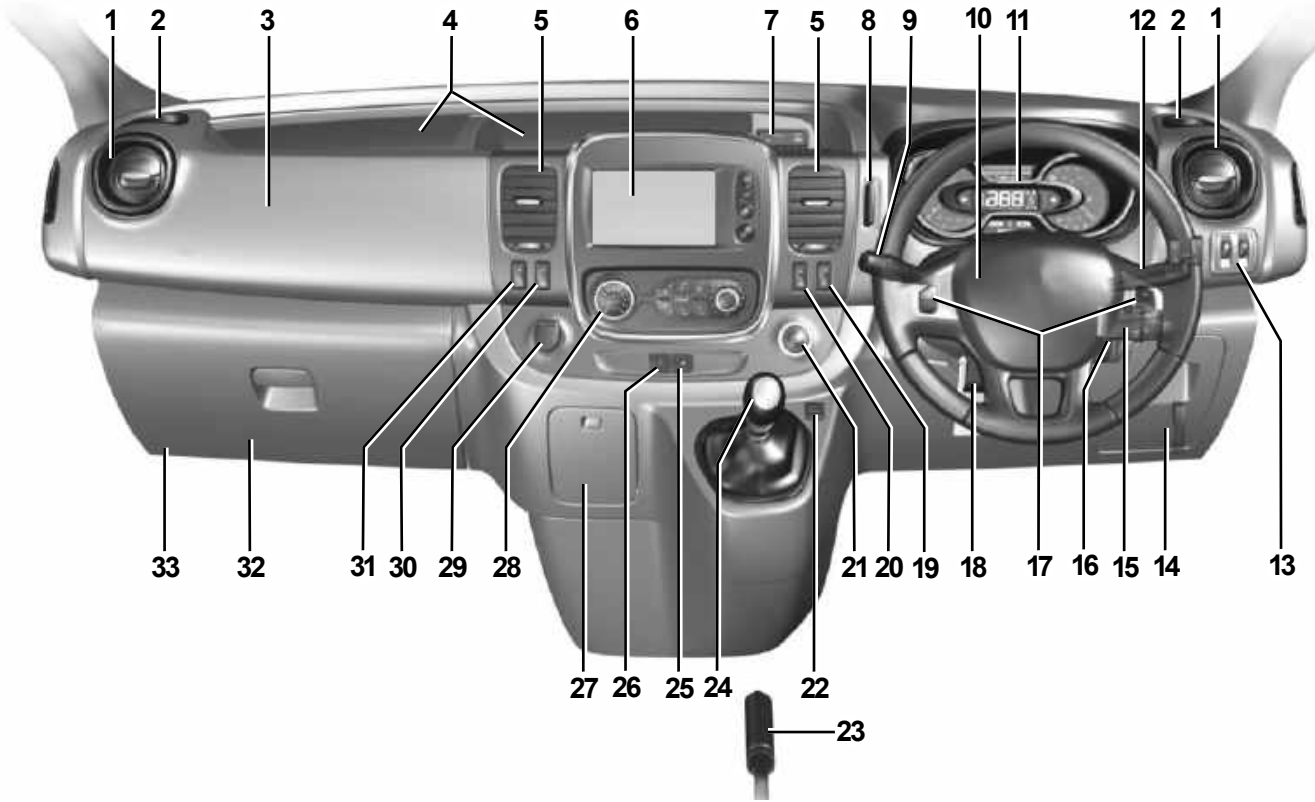
## DRIVING POSITION: LEFT-HAND DRIVE (2/2)

The equipment fitted, described below, **DEPENDS ON THE VERSION AND COUNTRY.**

- 1** Side air vent.
- 2** Location for ashtray or cup holder.
- 3** Stalk for:
  - direction indicator lights;
  - exterior lights;
  - front fog lights;
  - rear fog lights.
- 4** Instrument panel.
- 5** Location for driver's airbag and horn.
- 6** Stalk for:
  - windscreen and rear screen wiper/washer;
  - trip computer and warning system information read-out.
- 7** RENAULT card reader.
- 8** Remote radio controls.
- 9** Centre air vent.
- 10** Accessories socket.
- 11** Multimedia/radio touchscreen.
- 12** Storage compartment.
- 13** Location for passenger airbag or storage compartment.
- 14** Glovebox.
- 15** Switch to activate fast idle speed or to cut the controls of the rear ventilation.
- 16** Rear de-icer switch.
- 17** Accessories socket or cigarette lighter.
- 18** Heating and ventilation controls.
- 19** Handbrake.
- 20** Location for ashtray or cup holder.
- 21** Central door locking/unlocking controls.
- 22** Hazard warning lights switch.
- 23** Gear lever.
- 24** ECO mode switch.
- 25** Engine start/stop button.
- 26** Stop and Start function activation/deactivation control.
- 27** Cruise control/speed limiter main control.
- 28** Ignition switch for vehicles with key.
- 29** Control for adjusting steering wheel reach.
- 30** Cruise control/speed limiter controls.
- 31** Storage compartment.
- 32** Bonnet release control.
- 33** Controls for:
  - headlight beam height remote adjustment;
  - lighting rheostat for control instruments;
  - traction control;
  - activation/deactivation of the parking distance control system.

# DRIVING POSITION: RIGHT-HAND DRIVE (1/2)

316541



## DRIVING POSITION: RIGHT-HAND DRIVE (2/2)

The equipment fitted, described below, **DEPENDS ON THE VERSION AND COUNTRY.**

- 1** Side air vent.
- 2** Location for ashtray or cup holder.
- 3** Location for passenger airbag or storage compartment.
- 4** Storage compartment.
- 5** Centre air vent.
- 6** Multimedia/radio touchscreen.
- 7** Accessories socket.
- 8** RENAULT card reader.
- 9** Stalk for:
  - direction indicator lights;
  - exterior lights;
  - front fog lights;
  - rear fog lights.
- 10** Location for driver's airbag and horn.
- 11** Instrument panel.
- 12** Stalk for:
  - windscreen and rear screen wiper/washer;
  - trip computer and warning system information read-out.
- 13** Controls for:
  - headlight beam height remote adjustment;
  - lighting rheostat for control instruments;
  - grip control;
  - activation/deactivation of the parking distance control system.
- 14** Storage compartment.
- 15** Remote radio controls.
- 16** Ignition switch for vehicles with key.
- 17** Cruise control/speed limiter controls.
- 18** Control for adjusting steering wheel reach.
- 19** Cruise control/speed limiter main control.
- 20** Stop and Start mode activation/deactivation control.
- 21** Engine start/stop button.
- 22** ECO mode switch.
- 23** Handbrake.
- 24** Gear lever.
- 25** Central door locking/unlocking controls.
- 26** Hazard warning lights switch.
- 27** Location for ashtray or cup holder.
- 28** Heating and ventilation controls.
- 29** Accessories socket or cigarette lighter.
- 30** Rear de-icer switch.
- 31** Switch to activate fast idle speed or to cut the controls of the rear ventilation.
- 32** Glovebox.
- 33** Bonnet release control.


## WARNING LIGHTS (1/4)

The display of information shown below **DEPENDS ON THE VEHICLE EQUIPMENT AND COUNTRY.**



**Instrument panel A:** lights up when the ignition is switched on. The brightness can be adjusted by turning control knob **1**.

In some cases, the appearance of a warning light is accompanied by a message.

The  warning light means you should **drive very carefully** to an approved dealer as soon as possible. If you fail to follow this recommendation, you risk damaging your vehicle.



**Side light warning light**



**Main beam headlight tell-tale**



**Dipped beam headlight tell-tale**



**Front fog light tell-tale**



**Rear fog light tell-tale**



**Left-hand direction indicator tell-tale**



**Right-hand direction indicator tell-tale**



**Indicator light**

**Airbag** This lights up when the ignition is switched on and goes out after a few seconds.

If it does not come on when the ignition is switched on, or comes on when the engine is running, there is a fault in the system.

Contact your approved Dealer as soon as possible.



**Low fuel level warning light**

This lights up when the ignition is switched on and goes out after a few seconds.

If it lights up when driving, fill up with fuel as soon as possible. There is only approximately 30 miles (50 km) worth of fuel left.



Warning light **STOP** requires you to stop immediately, for your own safety, as soon as traffic conditions allow. Switch off the engine and do not restart it. Contact an approved Dealer.



If no lights or sounds are apparent, this indicates a fault in the instrument panel. This indicates that it is essential to stop immediately (as soon as traffic conditions allow). Ensure that the vehicle is correctly immobilised and contact an approved Dealer.



## WARNING LIGHTS (2/4)

The display of information shown below **DEPENDS ON THE VEHICLE EQUIPMENT AND COUNTRY.**



**STOP** **STOP light**  
This lights up when the ignition is switched on and goes out as soon as the engine is started. It comes on with other warning lights and/or messages, and is accompanied by a beep.

It requires you to stop immediately, for your own safety, as soon as traffic conditions allow. Switch off the engine and do not restart it.

Contact an approved Dealer.

### **Handbrake on and brake circuit incident warning light**

This comes on when the ignition is switched on and goes out as soon as the handbrake is released.

If it comes on during braking and is accompanied by the **STOP** warning light and a beep, it indicates that the fluid level in the circuit is low or that there is a braking system fault.

Stop as soon as traffic conditions allow and contact an approved Dealer.

### **Battery charge warning light**

This lights up when the ignition is switched on and goes out after a few seconds.

If it comes on on the road, accompanied by the **STOP** warning light and a beep, this indicates an overload or discharge in the electrical circuit.

Stop as soon as traffic conditions allow and contact an approved Dealer.

### **Oil pressure warning light**

This lights up when the ignition is switched on and goes out after a few seconds.

If it comes on on the road, accompanied by the **STOP** warning light and a beep, stop immediately and cut the ignition.

Check the oil level. If the level is normal, the indicator light is being lit by something else. Contact an approved Dealer.

### **Warning light**

This lights up when the ignition is switched on and goes out as soon as the engine is started. It can light up in conjunction with other indicator lights and/or messages on the instrument panel.

It means you should **drive very carefully** to an approved dealer as soon as possible. If you fail to follow this recommendation, you risk damaging your vehicle.

## WARNING LIGHTS (3/4)

The display of information shown below **DEPENDS ON THE VEHICLE EQUIPMENT AND COUNTRY.**



### **Warning light for reagent level and faults in the exhaust gas reduction system.**

Refer to the information on “Reagent tank” in Section 1.

### **Toxic Fume Filter System Warning Light**

For vehicles equipped with this option, the light comes on when the ignition is switched on then goes out.

- If it lights up continuously, consult your approved dealer as soon as possible;
- if it flashes, reduce the engine speed until the light stops flashing. Contact your approved Dealer as soon as possible.

Please refer to the information on “Maintenance and anti-pollution advice” in Section 2.

### **Electronic Stability Program (ESP) and traction control system warning light**

This lights up when the ignition is switched on and goes out after a few seconds.

There are several reasons for the warning light to come on: please refer to the information on “Driver correction devices and aids” in Section 2.

### **Anti-lock braking warning light**

This lights up when the ignition is switched on and goes out after a few seconds.

If it lights up when you are driving, it indicates a fault in the anti-lock braking system.

Braking will then be as normal, without the ABS. Contact an approved Dealer as soon as possible.

### **Coolant temperature warning light**

This comes on when the ignition is switched on.

If it turns red, stop and let the engine idle for a minute or two.

The temperature should lower and the warning light should return to a blue colour. If not, stop the engine. Let the engine cool down before checking the coolant.

Contact an approved Dealer.

## WARNING LIGHTS (4/4)

The display of information shown below **DEPENDS ON THE VEHICLE EQUIPMENT AND COUNTRY.**



### **Engine standby warning light**

Please see information in the paragraph on “Stop and Start Function” in Section 2.

### **Unavailability of engine standby warning light**

Please see information in the paragraph on “Stop and Start Function” in Section 2.

### **Speed limiter and cruise control indicator lights**

See the information on the “Speed limiter” and “Cruise control” in Section 2.

### **Tyre pressure loss warning**

Please refer to the information on the “Tyre pressure loss warning” in Section 2.

### **Traction control warning light**

Refer to the information on “Driving correction devices and aids” in Section 2.

### **Preheating warning light (diesel version)**

This should come on when the ignition is switched on. It indicates that the heater plugs are in operation.

It goes out when preheating is complete. The engine can be started.

### **Gear change indicators**

This lights up to advise you to change to a higher gear (up arrow) or lower gear (down arrow).

### **Mode warning light ECO**

This comes on when ECO mode is activated.

Please refer to the information on “Driving advice, Eco-driving” in Section 2.

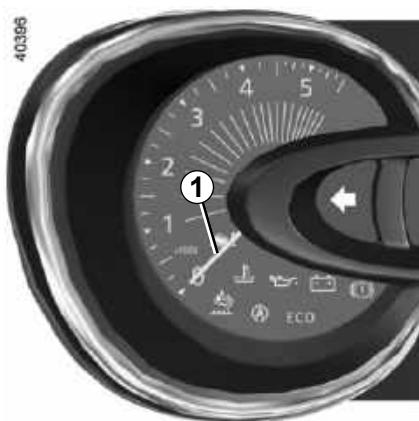
### **Front seat belt reminder warning light**

It lights up on the central display when the engine is started and, if the driver's seat belt is not fastened, the light flashes and a beep sounds for about 2 minutes when the vehicle reaches a speed of about 10 mph (16 km/h).

Depending on the vehicle, this flashes if the front passenger seat belt is not fastened.

### **Door(s) open warning light**

## DISPLAYS AND INDICATORS (1/2)



**Rev counter 1**  
(graduations x 1000)



**Speedometer 2**  
(km or miles per hour)

### Overspeed buzzer

Depending on the vehicle, a buzzer sounds for approximately 10 seconds every 40 seconds, as long as the vehicle is travelling in excess of 72 mph (120 km/h).

### Driving style indicator 4

Please refer to the information on “Eco-driving” in Section 2.



### Low engine oil level warning

When the engine is started, display 3 alerts the driver when the oil level is at its minimum. Refer to the information on the “Engine oil level” in Section 4.

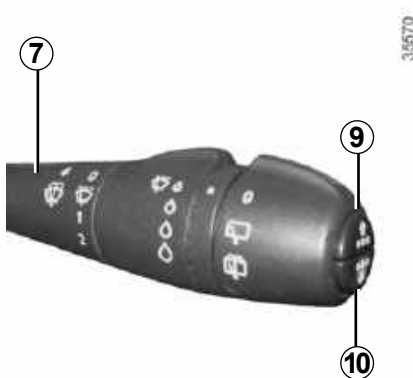
### Fuel gauge 5

## DISPLAYS AND INDICATORS (2/2)



**Instrument panel 6 in miles**  
(option to switch to km/h)

- With ignition off, press button **9** or **10** at the end of stalk **7** and the start button **8**;
- the speedometer unit indicator flashes for approximately ten seconds, then the new unit is displayed: release button **9** or **10** when the unit stops flashing.



To return to the previous mode, repeat the same operation.



**Note:** once the battery is switched off, the trip computer and warning system automatically returns to the original unit of measurement.

## ON-BOARD COMPUTER: general information (1/2)



### On-board computer 1

Depending on the vehicle, this includes the following functions:

- distance travelled;
- journey settings;
- information messages;
- operating fault messages (connected to the  warning light);
- warning messages (connected to the  warning light).

All these functions are described on the following pages.



### Display selection keys 2 and 3

Scroll through the following information upwards (key 2) or downwards (key 3) by pressing briefly and successively (the display depends on the vehicle equipment and country).

- a) total mileage and trip mileage recorder;
- b) fuel used;
- c) average fuel consumption;
- d) current fuel consumption;
- e) estimated range with remaining fuel;

- f) distance travelled;
- g) average speed;
- h) mileage before service, oil change counter;
- i) reset the tyre pressure;
- j) cruise control/speed limiter programmed speed;
- k) clock and temperature;
- l) trip log, operating faults and information message readout;
- m) percentage volume of remaining reagent.

## ON-BOARD COMPUTER: general information (2/2)



### Resetting the trip mileage

With “trip mileage recorder” selected on the display, press button **2** or **3** until the mileage recorder resets to zero.

### Resetting the journey parameters (reset button)

With one of the trip parameters selected as the display, press and hold button **2** or **3** until the display resets.

### Interpreting some of the values displayed after resetting

The values showing average fuel consumption, range and average speed will become more stable and reliable the further you travel after pressing the reset button.

For the first few miles after pressing the reset key you will notice that the range increases as you travel. This range takes into account the average fuel consumption since the last time the reset button was pressed. Therefore, the average fuel consumption may decrease when:




- the vehicle stops accelerating;
- the engine reaches its operating temperature (if the engine was cold when the reset key was pressed);
- when driving from an urban area onto the open road.

### Automatic resetting of the journey parameters

Resetting occurs automatically when the maximum value of any of the parameters is exceeded.

## ON-BOARD COMPUTER: trip settings (1/4)




The display of information shown below **DEPENDS ON THE VEHICLE EQUIPMENT AND COUNTRY.**

Examples of selections	Interpreting the display selected
<p>101778 km 112.4 km</p>	<p>⇒ <b>a) Total mileage and trip mileage recorder.</b></p>
<p>FUEL USED 8L </p>	<p>⇒ <b>b) Journey parameters.</b> <b>Fuel used.</b> Fuel consumed since the last reset.</p>
<p>AVERAGE 5.8 L/100 </p>	<p>⇒ <b>c) Average fuel consumption</b> since the last reset. The value is displayed after having travelled at least 400 metres since the last reset.</p>
<p>CURRENT 7.4 L/100 </p>	<p>⇒ <b>d) Current fuel consumption.</b> This value is displayed after a speed of approximately 20 mph (30 km/h) is reached.</p>



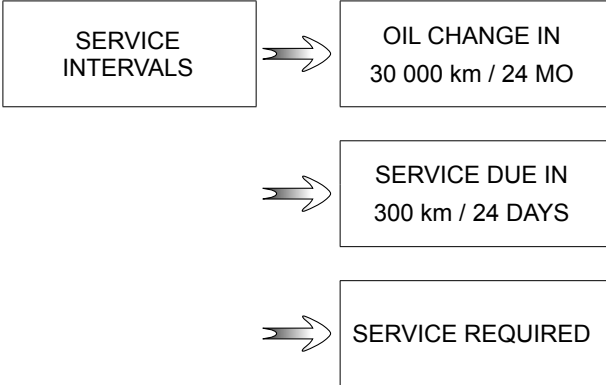

## ON-BOARD COMPUTER: trip settings (2/4)

The display of information shown below **DEPENDS ON THE VEHICLE EQUIPMENT AND COUNTRY.**

Examples of selections	Interpreting the display selected
<p>RANGE 541 km</p> 	<p>⇒ <b>e) Estimated range with remaining fuel.</b> The value is displayed after driving 400 metres.</p>
<p>DISTANCE 522 km</p> 	<p>⇒ <b>f) Distance travelled</b> since last reset.</p>
<p>AVERAGE 89.4 km/h</p> 	<p>⇒ <b>g) Average speed</b> since the last reset. The value is displayed after driving 400 metres.</p>






## ON-BOARD COMPUTER: trip settings (3/4)

The display of information shown below **DEPENDS ON THE VEHICLE EQUIPMENT AND COUNTRY.**

Examples of selections	Interpreting the display selected
On-board computer with distance before next service message (cntd.)	
 <p>The diagram illustrates the sequence of on-board computer messages. It starts with a box labeled 'SERVICE INTERVALS'. An arrow points to a box labeled 'OIL CHANGE IN 30 000 km / 24 MO'. Another arrow points to a box labeled 'SERVICE DUE IN 300 km / 24 DAYS'. A final arrow points to a box labeled 'SERVICE REQUIRED'.</p>	<p><b>h) Mileage before service</b> <b>With the ignition switched on and the engine not running,</b> when the message “SERVICE INTERVALS” is displayed, press button <b>2</b> or <b>3</b> for around 5 seconds to display the mileage before the next service (distance or time remaining before the next oil change). When the distance value approaches its limit, there are several possible scenarios:</p> <ul style="list-style-type: none"><li>– distance/time remaining less than <b>900 miles (1,500 km)</b> or <b>one month</b>: the message “Service due in” is displayed accompanied by the nearest term (distance or time);</li><li>– range equal to <b>0 km/miles</b> or <b>service date reached</b>: the message “SERVICE REQUIRED” is displayed accompanied by warning light .</li></ul> <p>The vehicle requires an oil change as soon as possible.</p>
<p>Depending on the vehicle, the mileage before an oil change varies according to the driving style (frequent driving at low speed, door-to-door journeys, extensive use at idling speed, towing a trailer, etc.). The distance remaining until the next oil change can therefore decrease more quickly in some cases than the actual distance travelled.</p> <p><b>Resetting:</b> to reset the mileage before the next oil change, display the remaining range (distance and time), then press and hold button <b>2</b> or <b>3</b> for approximately 10 seconds until the display shows the mileage before oil change without flashing.</p>	

## ON-BOARD COMPUTER: trip settings (4/4)

The display of information shown below **DEPENDS ON THE VEHICLE EQUIPMENT AND COUNTRY.**


Examples of selections	Interpreting the display selected
TYRE PRESSURE SET <PRESS-HOLD>	 <b>i) Reset the tyre pressure.</b> Please refer to the information on the “Tyre pressure loss warning” in Section 2.
SPEED LIMITER 90 km/h	 <b>j) Cruise control/speed limiter programmed speed.</b> Refer to the information on the “Speed limiter” and “Cruise control” in Section 2.
CRUISE CONTROL 90 km/h	
13°      16:30	 <b>k) Clock and temperature.</b> Please refer to the information on the “Clock and exterior temperature” in Section 1.
NO MESSAGE MEMORISED	 <b>l) Trip log.</b> Successive display: <ul style="list-style-type: none"><li>– information messages (passenger airbag OFF etc.);</li><li>– operating fault messages (check the injection system, etc.).</li></ul>
ADBLUE 62%	 <b>m) Percentage volume of remaining reagent.</b> Refer to the information on “Reagent tank” in Section 1.


## TRIP COMPUTER AND WARNING SYSTEM: information messages


These can help in the vehicle starting phase, or give information about a selection or a driving status. Examples of information messages are given in the following pages.

Examples of messages	Interpreting the display selected
« <b>PARKING BRAKE ON</b> »	Indicates that the parking brake has been applied.
« <b>BATTERY LOW START ENGINE</b> »	Indicates that the vehicle must be started to recharge the battery (e.g. after the engine has been switched off for some time whilst listening to the radio).
« <b>TOP UP OIL LEVEL</b> »	Indicates that the oil level needs adjusting.
« <b>AUTO DOOR LOCK OFF</b> »	Indicates that the automatic door locking while driving is deactivated.
« <b>STEERING WHEEL NOT LOCKED</b> »	Indicates that the steering column has not been locked.

## TRIP COMPUTER AND WARNING SYSTEM: operating fault messages

These appear with the  warning light and mean that you should drive very carefully to an authorised dealer as soon as possible. If you fail to follow this recommendation, you risk damaging your vehicle.

They disappear when the display selection key is pressed or after several seconds and are stored in the computer log. The  warning light stays on. Examples of operating fault messages are given in the following pages.

Examples of messages	Interpreting the display selected
« CLEAN DIESEL FILTER »	Indicates the presence of water in the diesel filter; contact an approved Dealer as soon as possible.
“CHECK VEHICLE”	Indicates a fault in one of the pedal sensors, battery management system or oil level sensor.
“CHECK AIRBAG”	Indicates a fault in the restraint system in addition to the seat belts. In the event of an accident, it is possible that they may not be triggered.
“Check antipollution system”	<ul style="list-style-type: none"><li>– Indicates a fault in the vehicle’s emission control system.</li><li>– Indicates a fault in the emissions reduction system when it is accompanied by the  warning light. Refer to the information on “Reagent tank” in Section 1.</li></ul>

## TRIP COMPUTER AND WARNING SYSTEM: warning message

These appear with the **STOP** warning light and require you to stop immediately, for your own safety, as soon as traffic conditions allow. Stop your engine and do not restart it. Contact an approved Dealer.

Examples of warning messages are given in the following pages. **Note:** the messages appear on the display either individually or alternately (when there are several messages to be displayed), and may be accompanied by a warning light and/or a beep.

Examples of messages	Interpreting the display selected
« <b>GEAR BOX RISK OF BREAKAGE</b> »	Indicates an injection fault, the vehicle's engine has overheated or there is a serious engine fault.
« <b>Braking system fault</b> »	Indicates a fault in the braking system.
« <b>BATTERY CHARGING FAULT</b> »	Indicates a fault in the vehicle battery charging circuit (alternator etc.).
« <b>PUNCTURE</b> »	Indicates that at least one wheel is punctured or severely underinflated.

## CLOCK AND EXTERIOR TEMPERATURE (1/2)



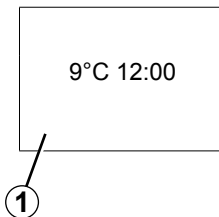
### Display A

(depending on the vehicle)

To access display **1** for setting the time, press button **2** or **3**. Wait for a few seconds.

The hours and minutes flash and you are now in setting mode; press and hold button **2** or **3** to set the hours.

Once the minutes flash, repeatedly press or press and hold button **2** or **3** to set the time.



Then press and hold button **2** or **3** to confirm the time set.

The minute display flashes: repeatedly press or press and hold button **2** or **3** to set the time.

When setting is complete, the hours and minutes remain displayed continuously for 2 seconds: your setting is registered.

You may change the display.

If the power supply is cut (battery disconnected, supply wire cut, etc.), the clock must be reset.

We recommend that you do not adjust these settings while driving.

## CLOCK AND EXTERIOR TEMPERATURE (2/2)



### Display B

Vehicles fitted with touch-screen multimedia, navigation aid systems, telephones, etc.

Refer to the separate instructions for the function to understand the special features of this equipment.

### External temperature indicator

#### Special note:

When the exterior temperature is  $-3^{\circ}\text{C}$  to  $+3^{\circ}\text{C}$ , the  $^{\circ}\text{C}$  characters flash (signalling a risk of ice on the road).



#### External temperature indicator

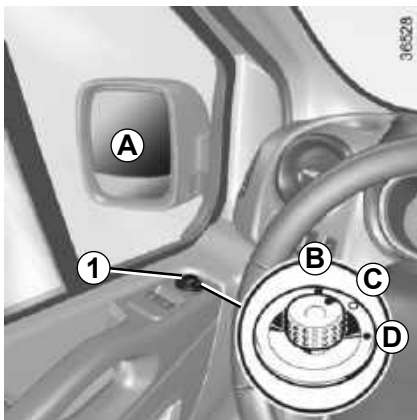
As ice formation is related to climatic exposure, local air humidity and temperature, the external temperature alone is not sufficient to detect ice.

If the power supply is cut (battery disconnected, supply wire cut, etc.), the clock must be reset.

We recommend that you do not adjust these settings while driving.



## REAR-VIEW MIRRORS (1/2)



### Electrically-adjustable door mirrors

With the ignition on, position control **1** on:

**B** to adjust the left-hand door mirror,  
**D** to adjust the right-hand door mirror,  
**C** to deactivate it.



For safety reasons, carry out any adjustments when the vehicle is stationary.

### Heated door mirrors

Depending on the vehicle, with the engine running, the mirrors are heated in conjunction with the rear windows.

### Manual door mirrors

To adjust, press the mirror **A**.



Objects observed in the door mirror glass are actually closer than they appear.

For your safety, take this into account in order to correctly assess the distance before any manoeuvre.

## REAR-VIEW MIRRORS (2/2)



### **Interior rear view mirror**

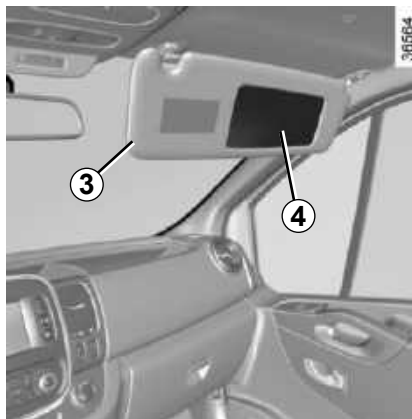
Its position can be adjusted.

### **Rear-view mirror with lever 2**

For night driving, to avoid being dazzled by the headlights of the car behind you, flip the small lever **2** located behind the rear view mirror.

### **Rear view mirror without lever 2**

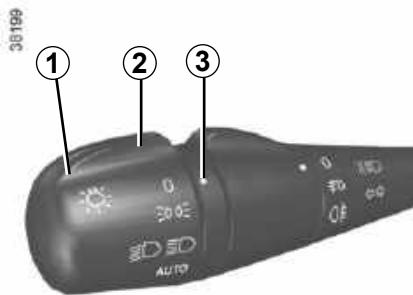
The rear view mirror darkens automatically at night if you are being followed by a vehicle with its lights on.



### **Additional rear-view mirror 4** (depending on the vehicle)

Lower the sun visor **3** to access the special mirror to increase lateral vision when manoeuvring.

## EXTERIOR LIGHTING AND SIGNALS (1/4)



### Side lights

Turn the ring **2** until the symbol is opposite mark **3**.

An indicator light on the instrument panel will come on.

### Switching off the side lights

Manually, move ring **2** to position **0**.



### Daytime running lights function

(front lights only)

The daytime running lights come on automatically with no action on stalk **1** when the engine is started, and they go off once the engine is switched off.

When driving on the left in a left-hand drive vehicle (or vice versa), drivers must re-adjust their lights throughout their stay (see “Adjusting headlight beams” in Section 1).



Before driving at night, check that the electrical equipment is operating correctly and adjust the headlight beams (if your vehicle is not carrying its normal load). As a general precaution, check that the lights are not obscured (by dirt, mud, snow or objects being transported).

## EXTERIOR LIGHTING AND SIGNALS (2/4)



### Dipped beam headlights

#### Manual operation

Turn the ring **2** until the symbol is opposite mark **3**. This indicator light on the instrument panel comes on.

#### Automatic operation

(depending on vehicle)

Turn ring **2** until the AUTO symbol is opposite mark **3**: with the engine running, the dipped beam headlights switch on or off automatically depending on the brightness of the light outside, without any action on stalk **1**.

### Switching off the dipped beam headlights

- Manually, move ring **2** to position **0**;
- automatically, with ring **2** in position AUTO, the dipped beam headlights go out upon stopping the engine, the driver's door is opened or the vehicle is locked. In this case, the next time the engine is started, the dipped beam headlights will be switched back on, taking into account the exterior light level, without moving the stalk **1**.

**NB:** If the main beam headlights or the fog lights are on, the lights are not switched off automatically.



If the vehicle is parked on the hard shoulder with the tailgate open, the rear lights may be obscured. You should make other road users aware of your vehicle by using a warning triangle or other equipment specified by the road traffic regulations of the country you are driving in.

## EXTERIOR LIGHTING AND SIGNALS (3/4)



### “See-me-home lighting” function

This function allows you to briefly switch on the dipped beam headlights (to provide light when opening a gate, etc.).

With the engine and lights switched off, and the ring 2 in position 0, pull the stalk 1 towards you: the dipped beam headlights come on for about thirty seconds. To increase this duration, you may pull the stalk up to four times (total time restricted to approximately two minutes). The message “\_ \_ \_” along with the time the lights will be on for is displayed on the instrument panel to confirm this action.

To switch off the lights before they go out automatically, turn ring 2 to any position, then return it to position 0.



### Main beam headlights

With the engine running and the dipped beam headlights lit, push stalk 1. This indicator light on the instrument panel comes on.

To return to the dipped headlight position, pull the stalk 1 towards you again.

### Switching off the main beam headlights

Manually, move ring 2 to position 0.

### Lights-on reminder buzzer

A warning beep sounds when the driver's door is opened to warn you that the lights are still on.

## EXTERIOR LIGHTING AND SIGNALS (4/4)



### Front fog lights

Turn centre ring **4** on the stalk **1** until the symbol faces mark **5**, then release it.

Operation of the fog lights depends on the exterior lighting position selected, and an indicator light will light up on the instrument panel.

### Cornering lights function

Whenever the dipped beam headlights are on and under certain conditions (at speed, the steering wheel at an angle, in forward gear, the indicator lights on, etc.), when taking a corner one of the front fog lights will come on to light the inside of the bend.



### Rear fog light

Turn centre ring **4** on the stalk until the symbol faces mark **5**, then release it.

Operation of the fog lights depends on the exterior lighting selected, and an indicator light will light up on the instrument panel.

To avoid inconveniencing other road users, remember to switch off the rear fog light when it is no longer needed.

### Switching off the lights

Turn ring **4** again until mark **5** is opposite the symbol for the fog light you wish to switch off. The corresponding indicator light goes out on the instrument panel.

The front and rear fog lights switch off when the exterior lights are switched off.

When driving in fog or snow, or when transporting objects which are higher than the roof, the headlights do not come on automatically.

Switching on the fog lights remains the responsibility of the driver: the indicator lights on the instrument panel inform you whether the fog lights are lit (indicator light on) or not (indicator light not on).



If the vehicle is parked on the hard shoulder with the tailgate open, the rear lights may be obscured. You should make other road users aware of your vehicle by using a warning triangle or other equipment specified by the road traffic regulations of the country you are driving in.

## HEADLIGHT BEAM ADJUSTMENT (1/2)



On vehicles fitted with this function, control **A** allows you to adjust the height of the beams according to the load.

Turn control **A** downwards to lower the headlights and upwards to raise them.

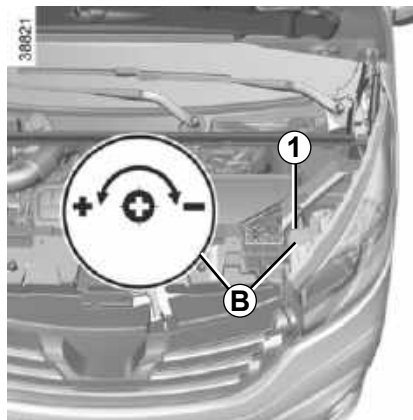
Load status	Control position
Unladen, driver only	0
Driver with passenger(s) and luggage compartment full (1)	2
Other cases	According to driver's judgement

The table below gives some examples. In all cases, adjust control **A** according to the vehicle load so that the road can be seen and other drivers are not dazzled.

(1) Load status at maximum permitted weight.

## HEADLIGHT BEAM ADJUSTMENT (2/2)

When driving on the left in a left-hand drive vehicle (or vice versa), you must adjust your lights temporarily during your stay.



### Temporary adjustment

Open the bonnet and identify the marking **B** next to one of the front headlight projectors.

For each headlight, using a screwdriver, turn the screw **1** by a quarter turn towards the - symbol to lower the beams.

Return to the starting point once your trip is over: turn the screw **1** by a quarter turn towards the + symbol to raise the beams.



# AUDIBLE AND VISUAL SIGNALS



## Horn

Press steering wheel boss **A**.

## Headlight flasher

Pull stalk **1** towards you to flash the headlights.

## Direction indicators

Move stalk **1** parallel to the steering wheel and in the direction you are going to turn it.

### One-touch mode

When driving, it is possible that the steering wheel may not be turned sufficiently to return the stalk automatically to its starting position.

In this case, move the stick **1** to half-way, then release it: the stalk returns to its original point and the indicator light flashes three times.



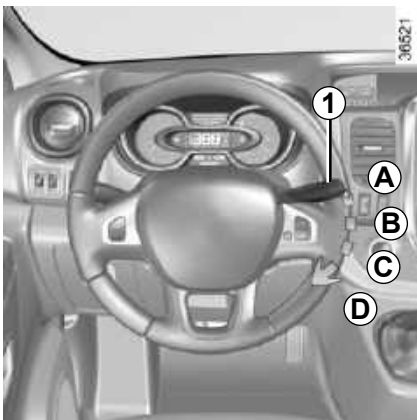
## Hazard warning lights

Press switch **2**.

This switch activates all four direction indicators and the side indicator lights simultaneously. It must only be used in an emergency to warn drivers of other vehicles that you have had to stop in an area where stopping is prohibited or unexpected, or that you are obliged to drive under special conditions.

Depending on the vehicle, the hazard warning lights may come on automatically under heavy deceleration. You can switch them off by pressing switch **2** once.

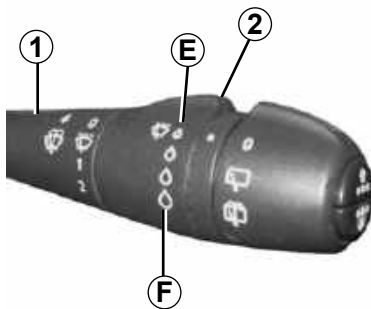
# WINDSCREEN WASH, WIPE (1/2)



With the ignition on, move stalk **1**

- **A park.**
- **B intermittent wiping.**  
The wipers will pause for several seconds between sweeps. It is possible to change the time between sweeps by turning ring **2**.
- **C normal wiping speed.**
- **D fast wiping speed.**

Positions **B** and **C** are accessible with the ignition on. Position **D** is accessible only when the engine is running.



## Special note

**When driving**, the wiping speed slows down whenever the vehicle stops. For example, fast wiping speed will slow to normal wiping speed. As soon as the vehicle moves off, wiping will return to the speed originally selected. If stalk **1** is operated, it overrides and cancels the automatic function.



When working in the engine compartment, ensure that the windscreen wiper stalk is in position **A** (park).

**Risk of injury.**

## Vehicles with automatic wiper function

With the engine running, move stalk **1**

- **A park.**
- **B automatic wiper function**  
When this position is selected, the system detects water on the windscreen and triggers the wipers at a suitable wiping speed. It is possible to change the triggering threshold and the time sweeps by turning ring **2**:
  - **E**: minimum sensitivity
  - **F**: maximum sensitivity**NB:** in foggy weather or during snowfalls, the wiping is not automatically triggered and remains under the driver's control.
- **C normal wiping speed.**
- **D fast wiping speed.**

Position **C** is accessible with the ignition on. Positions **B** and **D** are accessible only with the engine running.

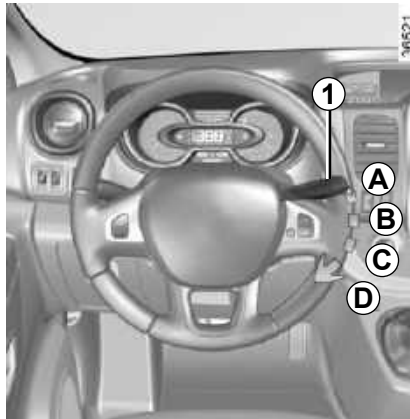
## WINDSCREEN WASH, WIPE (2/2)



### Note:

There is a maintenance position for replacing wiper blades.

**With the ignition on and the engine off**, lower wipers wiper stalk **1** fully (position **D**). The wiper arms stop in a position away from the bonnet (please refer to the information on “Windscreen wiper blades” in Section 5).



### Windscreen washer

**With the ignition on**, pull stalk **1** towards you.

A brief pull will trigger a single sweep of the wipers, in addition to the windscreen washer.

A longer pull will trigger three sweeps of the wipers followed, a few seconds later, by a fourth, in addition to the windscreen washer.



Before any action involving the windscreen (washing the vehicle, de-icing, cleaning the windscreen, etc.) return stalk **1** to position **A** (park).

**Risk of injury and/or damage.**

### Efficiency of a wiper blade

Check the condition of the wiper blades. How long they last depends on you:

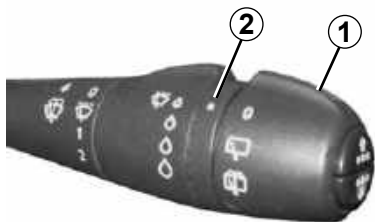
- it must remain clean: clean the blade and the screen regularly with soapy water;
- do not use it when the screen is dry;
- free it from the screen when it has not been used for a long time.

Replace wiper blades as soon as their performance starts to diminish: Approximately every year (refer to the information on “Wiper blades” in section 5).

### Precautions for using the wipers

- In freezing or snowy weather, clear the screen before starting the wipers (risk of motor overheating);
- ensure that no objects are obstructing the travel of the blade.

# REAR SCREEN WASH, WIPE



## Speed-dependent timed rear screen wiper

With the ignition on, turn the end of stalk **1** to align mark **2** with the symbol. Wiping frequency varies with speed.



When working in the engine compartment, ensure that the windscreen wiper stalk is in the park position.

**Risk of injury.**



## Rear screen wash/wipe

With the ignition on, turn the end of stalk **1** to align mark **2** with the symbol.

When the stalk is released, it returns to the rear wipe position.

### Special note

If the windscreen wipers are operating or are in automatic mode, the rear screen wiper wipes intermittently when reverse gear is engaged.

Do not use the wiper arm to open or close the tailgate.



Before any action on the windscreen (washing the vehicle, de-icing, cleaning the windscreen, etc.) return stalk **1** to the park position.

**Risk of injury and/or damage.**

## Efficiency of a wiper blade

Check the condition of the wiper blades. How long they last depends on you:

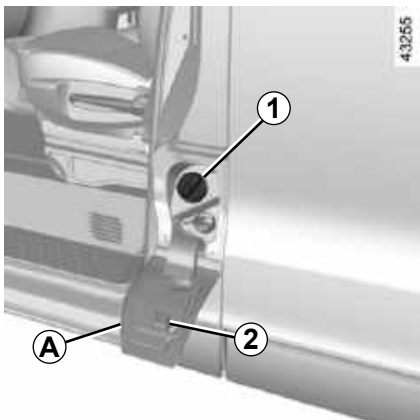
- it must remain clean: clean the blade and the screen regularly with soapy water;
- do not use it when the screen is dry;
- free it from the screen when it has not been used for a long time.

Replace wiper blades as soon as their performance starts to diminish: Approximately every year (refer to the information on “Wiper blades” in section 5).

## Precautions for using the wipers

- In freezing or snowy weather, clear the screen before starting the wipers (risk of motor overheating);
- ensure that no objects are obstructing the travel of the blade.

## FUEL TANK (1/3)



**Useful capacity of fuel tank: Approx. 80 litres**

Open the front left door to open the cover **A**.

Use the cap holder **2** on the flap **A** during filling to hold the cap **1** in place.

After filling, check that the cap and cover are closed.

### Fuel grade

**Use a high-grade fuel** that complies with the legislation in force in each country. It **must** comply with the specifications given on the label on the cover **A**. Refer to the information on “Engine specifications” in Section 6.



**Fuel filler cap: this is specific.**

If you have to replace it, make sure it is identical to the original cap. Contact an approved Dealer.

Never place the cap near a source of heat or flame.

Do not wash the filler area with a high-pressure washer.

### Diesel versions

It is **essential** to use diesel fuel that conforms with the information given on the label inside cover **A**.



Do not mix even small amounts of petrol (un-leaded or E85) with diesel.

Do not use ethanol-based fuel if your vehicle is not compatible with this fuel.

Do not add **anything** to the fuel (additive, reagent, etc.) to prevent the risk of damaging the engine.

## FUEL TANK (2/3)

### Filling with fuel

With the ignition off, insert the nozzle and insert it **fully** before turning it on to fill the fuel tank (risk of splashing).

Keep the nozzle in this position throughout the entire filling operation.

When the pump cuts out automatically at the end of the filling procedure, a maximum of two further filling attempts may be made, as there must be sufficient space in the fuel tank to allow for expansion.

Make sure that no water enters the fuel tank during filling. The cover **A** and its surround must remain clean.

### Vehicle fitted with the Stop and Start function

To fill up with fuel, the engine must be stopped (and not on standby): stop the engine (Please See “Starting, stopping the engine” in Section 2).

Fuel types that conform to European standards with which the engines of vehicles sold in Europe are compatible: refer to the “Engine specifications” in section 6.



Do not mix even small amounts of petrol (unleaded or E85) with diesel.

Do not use ethanol-based fuel if your vehicle is not compatible with this fuel.

Do not add **anything** to the fuel (additive, reagent, etc.) to prevent the risk of damaging the engine.



### Persistent fuel odour

If you notice a persistent fuel odour you should:

- stop the vehicle as soon as traffic conditions allow and switch off the ignition;
- switch on the hazard warning lights and ask your passengers to leave the vehicle and stay clear of the traffic;
- contact an approved Dealer.

## FUEL TANK (3/3)


### Running out of fuel on diesel versions

#### Vehicles with key/remote control

- Put the ignition key in “On” position **M** (please see the information on the “Ignition switch” in Section 2) and wait for a few minutes before starting, to enable the fuel circuit to be primed;
- turn the key to position **D**. If the engine does not start, repeat the procedure;
- if the engine does not start after several attempts, please contact an authorised dealer.



Please note when working close to the engine that it may be hot. In addition, the engine cooling fan may

start at any moment. The  warning light in the engine compartment reminds you of this.

**Risk of injury.**



#### Vehicles with RENAULT card

Insert the **RENAULT** card into the **3** card reader. Press the start button **4** without pressing any of the pedals. Wait a few minutes before starting. This will enable the fuel circuit to be primed. If the engine does not start, repeat the procedure.



No modifications whatsoever are permitted on any part of the fuel supply system (electronic units, wiring, fuel circuit, injectors, protective covers, etc.) as this may be dangerous (unless undertaken by qualified Network personnel).

## REAGENT TANK (1/4)

Please ensure that you comply with the legislation of your country. It is important to remember that failure to respect regulations in force could lead to legal action being taken against the vehicle owner.

### Operating principle

The reagent is intended for diesel engines fitted with the SCR (selective catalytic reduction) system. Using the reagent reduces the quantity of nitrogen oxides in exhaust gases.

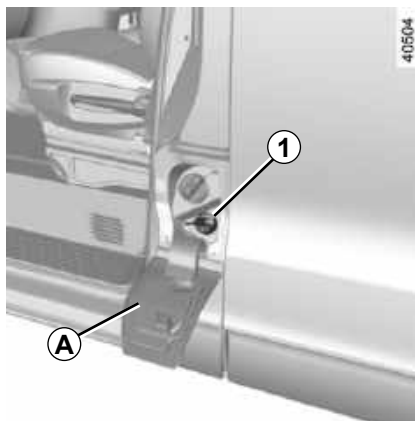
### Reagent quality

Use **only reagents which conform to standard ISO 22241** and in accordance with the mark on the tank filler cap.

### Average fuel consumption

**Approximately 0.77 gal/620 miles** (3.5 l/1000 km), depending on the vehicle.

Consumption in real time depends on vehicle usage conditions, the equipment fitted and the user's driving style.



### Filling

**Capacity of the fuel tank: 20 litres** approximately.

Ignition off, open the front left door to open the cover **A**. Unscrew the cap **1**.

**Note:** Ammonium hydroxide vapour may escape from the cap opening when the tank temperature is high.

### Vehicle fitted with the Stop and Start function

To fill up with reagent, the engine must be stopped (and not on standby): stop the engine (please see "Starting, stopping the engine" in Section 2).



If the "XXXX KM FAILURE TOP UP ADBLUE" message appears, fill the reagent tank and refer to the filling instructions.

**Risk of immobilisation of the vehicle.**



**Fuel filler cap: this is specific.**

If you have to replace it, make sure it is identical to the original cap. Contact an approved Dealer. Do not wash the filler area with a high pressure washer.



## REAGENT TANK (2/4)

### Precautions for use

The tank can be filled at the pump. In other cases, it is essential to read the information shown on the reagent container (e.g. the can or bottle).


When filling, **handle the reagent carefully. They can damage clothes, shoes, bodywork components etc.**

If the reagent overflows, or contaminates any paintwork, clean the affected area quickly with plenty of cold water and a soft cloth.

**Note:** If the reagent crystallises, use a soft sponge.

### In extreme cold weather conditions


**In frosty weather conditions, the reagent tank should be refilled when**

the  indicator and the message "ADBLUE TO FILL" appear on the instrument panel.

### Special cases

The reagent fluid freezes below about -10°C.

In these conditions, do not attempt filling when the fluid is frozen. In the event of needing to top up or fill the tank

with reagent ( on), park the vehicle in a hotter location if possible so that the reagent becomes liquid again. Otherwise, have a qualified professional top up or fill up with reagent fluid.



The reagent must not come into contact with eyes or skin. If it does, wash the affected area with plenty of cold water. If necessary, consult a doctor.



No work whatsoever is permitted on any part of the system. To prevent damage, only qualified personnel from our network may work on the system.




After filling the reagent tank, check that the cap and cover are closed, start the engine and **WAIT 10 seconds with the vehicle stationary, engine running** before setting off again.

If this operation is not carried out, the filling of the tank will not be taken into account automatically until after several dozens of minutes of driving. The message "TOP UP ADBLUE" and/or the warning lights will continue to appear until the filling has been registered by the system.

## REAGENT TANK (3/4)

### Maintenance/Range







The information displayed on the instrument panel may be accompanied by a beep.

Indicator lights	Messages	Reading
-	"ADBLUE LEVEL LOW"	Fill or have an Approved Dealer fill or top up the reagent tank.
 comes on.	"ADBLUE TO FILL"	
 comes on.	"xxxMILES (xxxKM) 0KM FAILURE TOP UP ADBLUE"	Fill or have an Approved Dealer fill the reagent tank as soon as possible.
 comes on.	"0MILES (0KM) 0KM FAILURE TOP UP ADBLUE"	<b>The engine will not start.</b> To restart, you must fill the reagent tank yourself.

## REAGENT TANK (4/4)

### System fault

The integrated indicator lights described below are accompanied by a beep.

Indicator lights	Messages	Readings
 and  come on.	“Check anti-pollution system”	Indicates a fault in the system. Contact your approved dealer as soon as possible.
 and  come on.	“xxxMILES (xxxKM) 0KM FAILURE TOP UP ADBLUE”	Indicates that <b>in fewer than 682 miles (1100 km), it will become impossible to restart the vehicle.</b> These warnings will be repeated every 62 miles (100 km). Contact your approved dealer as soon as possible.
 and  come on.	“0MILES (0KM)0KM FAILURE TOP UP ADBLUE”	Indicates that after the ignition is switched off <b>the vehicle will not restart.</b> Call an approved Dealer.



# **Section 2: Driving**

**(Advice on use relating to fuel economy and the environment)**

Running in . . . . .	2.2
Ignition switch . . . . .	2.2
Starting, stopping the engine using the key/remote control unit . . . . .	2.3
Starting/stopping the engine: vehicle with RENAULT card . . . . .	2.4
Stop and Start Function. . . . .	2.7
Special features of diesel versions . . . . .	2.10
Gear lever/Handbrake . . . . .	2.11
Driving advice, Eco-driving . . . . .	2.12
Maintenance and antipollution advice . . . . .	2.16
Environment . . . . .	2.17
Tyre pressure loss warning . . . . .	2.18
Driver correction devices/aids . . . . .	2.21
Speed limiter . . . . .	2.26
Cruise control . . . . .	2.29
Overspeed function . . . . .	2.33
Fast idle speed . . . . .	2.34
Parking distance control . . . . .	2.35
Reversing camera . . . . .	2.37

## RUNNING IN/IGNITION SWITCH: vehicle with key

### Diesel version

For the first **1,000 miles (1,500 km)**, do not exceed 80 mph (130 km/h) in the highest gear, or 2,500 rpm. After completing this mileage you may drive faster, although you may only expect top performance after approximately 3,600 miles (6,000 km).

During the running in period, do not accelerate hard while the engine is still cold and do not let the engine over-rev.

**Service intervals:** refer to the Maintenance Document for your vehicle.



### Off position S (steering lock applied)

To lock: remove the key and turn the steering wheel until the steering column locks.

To unlock: turn the key and the steering wheel slightly.

### “Accessories” position A

When the ignition is switched off, any accessories (radio, etc.) will continue to function.

### Ignition position M.

The ignition is switched on:

### Start position D

If the engine fails to start at the first attempt, the key must be turned back before the starter can be activated again. Release the key as soon as the engine starts.

**Note:** on diesel versions, several seconds may pass between turning the key and the engine starting to allow for engine preheating.

## STARTING, STOPPING THE ENGINE: vehicle with key



### Starting the engine

Turn the ignition key to the “Ignition on” position **M** and hold this position until the engine preheating warning light

 goes out.

Turn the key to starter position **D** without depressing the accelerator pedal.

Release the key as soon as the engine starts.

### Stopping the engine

With the engine idling, turn the key to the “Stop” position **St**.



Never start your vehicle while freewheeling on a gradient. Risk of non-activation of power-assisted steering.

There is a risk of accidents.



Never switch off the ignition before the vehicle has stopped completely. Once the engine has stopped, the brake servo, power-assisted steering, etc. and the passive safety devices such as air bags and pretensioners will no longer operate.



### Driver's responsibility when parking or stopping the vehicle

Never leave an animal, child or adult who is not self-sufficient alone in your vehicle, even for a short time.

They may pose a risk to themselves or to others by starting the engine, activating equipment such as the electric windows or locking the doors, for example.

Also, in hot and/or sunny weather, please remember that the temperature inside the passenger compartment increases very quickly.

**RISK OF DEATH OR SERIOUS INJURY.**

## STARTING, STOPPING THE ENGINE: vehicle with RENAULT CARD (1/3)



The RENAULT card must be inserted in card reader **2** or in detection zone **3**.

To start, depress the brake or clutch pedal and press button **1**. If a gear is engaged, the vehicle may only be started by depressing the clutch pedal.



Never start your vehicle while freewheeling on a gradient. Risk of non-activation of power-assisted steering.

There is a risk of accidents.



Never switch off the ignition before the vehicle has stopped completely. Once the engine has stopped, the brake servo, power-assisted steering, etc. and the passive safety devices such as air bags and pretensioners will no longer operate.



**Driver's responsibility when parking or stopping the vehicle**

Never leave an animal, child or adult who is not self-sufficient alone in your vehicle, even for a short time.

They may pose a risk to themselves or to others by starting the engine, activating equipment such as the electric windows or locking the doors, for example.

Also, in hot and/or sunny weather, please remember that the temperature inside the passenger compartment increases very quickly.

**RISK OF DEATH OR SERIOUS INJURY.**



# STARTING, STOPPING THE ENGINE: vehicle with RENAULT CARD (2/3)

## Special features

- If one of starting conditions is not applied, the message "PRESS BRAKE + START" or "PRESS CLUTCH + START" or "GEAR LEVER TO P" is displayed on the instrument panel;
- in some cases, it will be necessary to move the steering wheel whilst pressing the start button **1** to help unlock the steering column; the message "TURN STEERINGWHEEL + START" will warn you of this;
- in the event of starting the engine in very low exterior temperatures (lower than -10°C): hold down the clutch pedal until the engine starts.



## Accessories function

(switching on the ignition)

Once you have gained access to your vehicle, you may use some of its functions (radio, navigation, wipers, etc.).

To use the other functions, with the card in the passenger compartment or inserted in the card reader **2**, press the button **1** without pressing the pedals.

## Operating faults

In certain cases, the hands-free RENAULT card may not work:

- when the RENAULT card battery is drained, flat battery, etc.
- near to appliances operating on the same frequency as the card (monitor, mobile phone, video game, etc.);
- vehicle located in a high electromagnetic radiation zone.

The message "PLEASE INSERT KEYCARD" appears on the instrument panel.

Insert the RENAULT card fully into card reader **2**.

## STARTING, STOPPING THE ENGINE: vehicle with RENAULT CARD (3/3)



### Conditions for stopping the engine

The vehicle must be at a standstill.

With the **2** card in the card reader or in the detection zone **3**, press button **1**: the engine stops. The steering column is locked when the driver's door is opened or the vehicle is locked.

If the card is no longer in the passenger compartment when you try to switch the engine off, the message "NO KEYCARD PRESS AND HOLD" appears on the instrument panel: press button **1** for longer than 2 seconds.



With the engine switched off, any accessories being used (radio, etc.) will continue to function for approximately 10 minutes.

When the driver's door is opened, the accessories stop working.



Never switch off the ignition before the vehicle has stopped completely. Once the engine has stopped, the brake servo, power-assisted steering, etc. and the passive safety devices such as air bags and pretensioners will no longer operate.



When you leave your vehicle, especially if you have your RENAULT card with you, check that the engine is completely switched off.



### Driver's responsibility when parking or stopping the vehicle

Never leave an animal, child or adult who is not self-sufficient alone in your vehicle, even for a short time.

They may pose a risk to themselves or to others by starting the engine, activating equipment such as the electric windows or locking the doors, for example.

Also, in hot and/or sunny weather, please remember that the temperature inside the passenger compartment increases very quickly.

**RISK OF DEATH OR SERIOUS INJURY.**

## STOP AND START function (1/3)

This system enables a reduced fuel consumption and lower greenhouse gas emissions.

The system is activated automatically when the vehicle is started.


While driving, the system stops the engine (standby) when the vehicle is at a standstill (traffic jam, traffic lights, etc).

### System operating conditions

Engine standby is activated if:

- the vehicle has been driven since its last stop;
  - the gearbox is in neutral;
  - the clutch pedal is released;
- and
- the vehicle speed is less than approximately 1.86 mph (3 km/h).



Do not drive off when the engine is on standby (warning light  is displayed on the instrument panel).

The warning light  is displayed on the instrument panel to notify you that the engine is on standby.

The vehicle equipment remain operational while the engine is stopped.

The engine will restart when you press the clutch pedal and move into gear.

### Special feature of the automatic engine re-start

Under certain conditions, the engine can restart on its own in order to guarantee your safety and comfort.

If you get out of the vehicle, a beep and the message “IGNITION OFF” notifies you that the engine is on standby and has not been switched off.

This can occur especially when:

- the outdoor temperature is too low or too high (less than around 0 °C or higher than around 35 °C);
- the “Clear View” function is activated (please see the information on “Air conditioning” in Section 3);
- the battery is not sufficiently charged;
- the vehicle speed is above 3 mph (5 km/h) (downhill slope etc.);
- repeated pressing on the brake pedal or braking system requirement;
- the engine restart may be interrupted if the clutch pedal is released too quickly while a gear is engaged.
- ...



Before leaving the vehicle, the engine must be stopped and not put on standby (please see the information on “Starting, stopping the engine” in Section 2).

## STOP AND START function (2/3)

### Special features of vehicles with remote control

Some of these conditions prevent the engine from automatically restarting upon opening:


- one of the doors for vehicles using a key;
- the passenger side door for vehicles using a RENAULT card.

### Conditions preventing the standby of the engine

Depending on the vehicle, certain conditions prevent the system from using the engine standby function, including when:

- reverse gear is engaged;
- the bonnet is not locked;
- for vehicles using a RENAULT card, the driver's side door is not closed;
- for vehicles using a RENAULT card, the driver's seat belt is not buckled;

- the outdoor temperature is too low or too high (less than around 0 °C or higher than around 35 °C);
- the battery is not sufficiently charged;
- the difference between the vehicle interior temperature and the automatic climate control instruction is too high;
- the "Clear View" function is activated (please see the information on "Air conditioning" in Section 3);
- the engine coolant temperature is too low;
- automatic particle filter cleaning is underway;
- the "Fast Idle Speed" function is activated (please refer to the information on "Fast Idle Speed" in section 2);
- ...

Warning light  is displayed on the instrument panel. This notifies you that engine standby is not available.

### Special cases

- For vehicles using a RENAULT card, while the system is operating and the engine is in standby (traffic jam, traffic lights, etc.), if the driver gets out of their seat or unfastens their seatbelt and opens the driver's door, the ignition will be switched off. To restart and reactivate the Stop and Start system, press the start button (please refer to "Starting, stopping the engine" in Section 2).
- In the event of the engine stalling, if the system is operational, press down the clutch pedal as far as it will go to restart.

To fill up with fuel, the engine must be stopped (and not on standby): stop the engine (please refer to the information on "Starting and stopping the engine" in Section 2).

## STOP AND START function (3/3)



### Deactivating, activating the function

Press switch **1** to deactivate the function. The message “STOP AND START DEACTIVATED” will appear on the instrument panel and the integrated warning light **2** on the switch will light up.

Pressing again will reactivate the system. The message “STOP AND START ACTIVATED” will appear on the instrument panel and the integrated warning light **2** on the switch **1** will go out.

The system is automatically reactivated each time the vehicle is started (see “Starting, stopping the engine” in Section 2).

**Special note:** engine on standby, press switch **1** to automatically restart the engine.

### Operating faults

When the message “CHECK STOP AND START” appears on the instrument panel and the integrated warning light **2** lights up on the switch **1**, the system is deactivated.

Please consult an authorised dealer.



Before leaving the vehicle, the engine must be stopped and not put on standby (please see the information on “Starting, stopping the engine” in Section 2).





In the event of an emergency, the engine can be restarted by pressing on the clutch pedal if the Stop and Start function is activated.

## SPECIAL FEATURES OF DIESEL VERSIONS

### Diesel engine speed

Diesel engines are fitted with an injection pump **which prevents the engine speed being exceeded** irrespective of the gear selected.

If the message “Check antipollution system” is displayed along with warn-

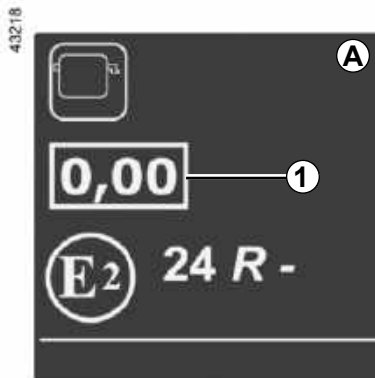
ing lights  and , consult an authorised dealer immediately.

When driving, depending on the fuel grade used, it is possible that white smoke may be emitted.

This is due to the exhaust particle filter being cleaned automatically, and does not affect the way the vehicle runs.

### Running out of fuel

If the tank has been **completely drained**, the system must be reprimed after the tank is refilled: See “Fuel tank” in section 1 before restarting the engine.



### Engine smoke opacity label

You will find **1** information on the **A** label stuck inside the engine compartment.

**1** Diesel exhaust emissions.

### Precautions to be taken in winter

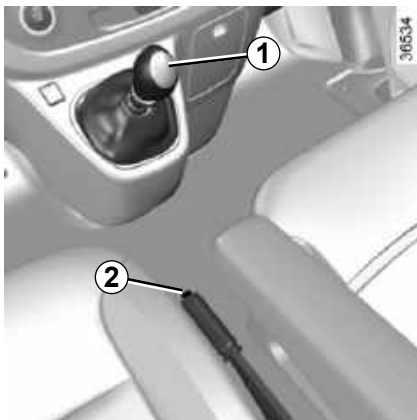
To avoid any faults in icy weather:

- ensure that the battery is always fully charged,
- always keep the diesel tank relatively full to avoid water vapour condensing in it and accumulating at the bottom of the tank.



Do not park the vehicle or run the engine in locations where combustible substances or materials such as grass or leaves can come into contact with the hot exhaust system.

# GEAR LEVER/HANDBRAKE



## Gear lever

### To select reverse gear (vehicle stationary)

Move the lever to neutral, then position the lever in reverse.

Ring **1** has to be lifted up to the gear lever knob to select reverse gear.

The reversing lights will come on as soon as reverse gear is selected (with the ignition on).

Vehicles fitted with parking distance control: refer to the information on the "Parking distance control" in Section 2 for details of the special features.

## Handbrake

### To release

Pull the lever up slightly, press button **2** and then lower the lever to the floor.

The red warning light on the instrument panel will light up if you are driving with an incorrectly released handbrake.

### To apply

Pull the lever upwards and make sure the vehicle is immobilised.



Make sure that the handbrake is properly released when driving (red indicator light off), otherwise overheating may occur.



When stationary and depending on the slope and/or vehicle load, it may be necessary to pull up the handbrake at least two extra notches and engage a gear (1<sup>st</sup> or reverse gear) for vehicles with a manual gearbox or position **P** for vehicles with an automatic transmission.



An impact to the underside of the vehicle when reversing (e.g. striking a raised kerb) may result in damage to the vehicle (eg. deformation of the rear axle).

To avoid any risk of accident, have your vehicle checked by an approved Dealer.

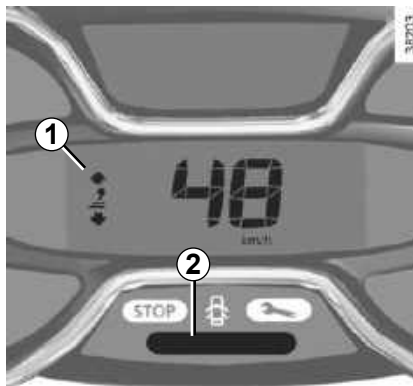
## DRIVING ADVICE, ECO-DRIVING (1/4)

Fuel consumption is accredited in accordance with a standard regulatory method. Identical for all manufacturers, this enables vehicles to be compared with one another. Consumption in real time depends on vehicle usage conditions, the equipment fitted and the user's driving style. To optimise fuel consumption, please refer to the following advice.

Depending on the vehicle, you will have various functions which enable you to lower your fuel consumption:

- the rev counter;
- gear change indicator;
- the driving style indicator;
- the journey record and eco-driving advice via the multimedia display;
- ECO mode – activated by the ECO button.

If fitted on the vehicle, the navigation system provides additional information.



### Gear change indicator 1

Depending on the vehicle, to obtain optimum consumption levels, a warning light on the instrument panel lets you know the best time to move up or down a gear:



move up a gear;



move down a gear.

### Driving style indicator 2

Informs you about the driving style adopted in real time. You will be notified by the colour of warning light 2.

- Green: measured, economical driving;
- Yellow: opt for a calmer driving style;
- Orange: driving too fast.

To **activate/deactivate** the driving style indicator, please see the multimedia system instructions.



## DRIVING ADVICE, ECO-DRIVING (2/4)



### Journey record

Once the engine is switched off, you will see “Journey record” displayed on the screen **3**, enabling you to view information relating to your last journey.

This indicates:

- average fuel consumption;
- number of miles/kilometres travelled;
- number of miles/kilometres saved.



An overall rating from 0 to 100 is displayed to let you assess your eco driving performance. The higher the rating, the lower the fuel consumption.

Eco advice is given to help improve your performance.

With your favourite journeys saved, you can evaluate your performance.

For more information, please see the multimedia system instructions.

### ECO mode

ECO mode is a function which optimises fuel consumption. It acts on certain power consuming systems in the vehicle (heating, air conditioning, power-assisted steering, etc.) and on certain driving actions (acceleration, gear changing, cruise control, deceleration, etc.).

#### Activating the function

Press switch **4**.

The **5 ECO** warning light comes on on the instrument panel to confirm activation.

While driving, it is possible to leave the ECO mode temporarily in order to improve engine performance.

For this, depress the accelerator pedal firmly and fully.

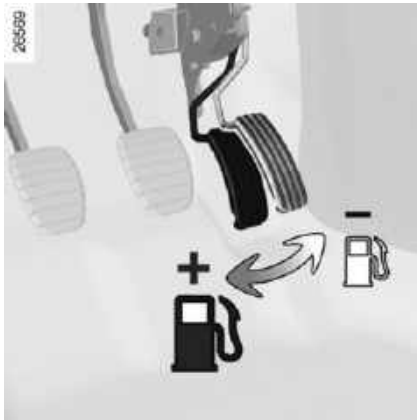
ECO mode is reactivated when you take pressure off the accelerator pedal.

#### Disabling the function

Press switch **4**.

The **5 ECO** light goes out on the instrument panel to confirm deactivation.

## DRIVING ADVICE, ECO-DRIVING (3/4)



### Driving advice, Eco-driving

#### Behaviour

- Drive carefully for the first few miles until the engine reaches its normal operating temperature, rather than let it warm up while the vehicle is stationary.
- Speed is expensive.
- Sporty driving uses a lot of fuel: drive with a light right foot.
- Do not overrev the engine in the intermediate gears.  
You should always use the highest gear possible.

- Avoid sudden acceleration.
- Brake as little as possible. If you anticipate an obstacle or bend in advance, you may then simply release the accelerator pedal.
- Do not try to maintain the same speed up a hill, accelerate no more than you would on the level. Keep your foot in the same position on the accelerator pedal.
- Double declutching and accelerating before switching off are unnecessary in modern vehicles.
- Bad weather, flooded roads:



Do not drive through floods if the water is above the lower edge of the wheel rims.

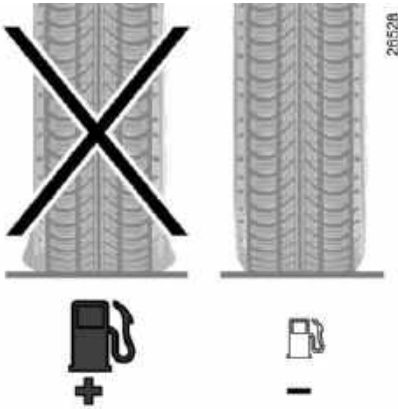


#### **Obstructions to the driver**

On the driver's side, only use mats suitable for the vehicle, attached with the pre-fitted components, and check the fitting regularly. Do not lay one mat on top of another.

**There is a risk of wedging the pedals**

## DRIVING ADVICE, ECO-DRIVING (4/4)



### Tyres

- An underinflated tyre increases fuel consumption.
- The use of non-recommended tyres can increase fuel consumption.



### Advice on use

- Favour ECO mode.
- Electricity is fuel; switch off all the electrical components which are not really needed. **However** (safety first), keep your lights on when the visibility is bad ("see and be seen").
- Use the air vents. Driving with the windows open at 60 mph (100 km/h) will increase fuel consumption by 4%.
- Never fill the fuel tank right to the brim to avoid overflow.

- In vehicles fitted with air conditioning, it is normal to observe an increase in fuel consumption (especially in urban conditions) when it is used. For vehicles fitted with manual air conditioning, switch off the system when it is not required.

### Advice for reducing consumption and therefore helping to preserve the environment:

If the vehicle has been parked in the sun, open the doors for a few moments to let the hot air escape before starting the engine.

- Do not leave an empty roof rack fitted to the vehicle.
- It is better to fit a trailer for bulky objects.
- When towing a caravan, fit a wind deflector and adjust it carefully.
- Avoid using the car for door-to-door calls (short journeys with long waits in between) because the engine never reaches its normal operating temperature.

## MAINTENANCE AND ANTIPOLLUTION ADVICE

Your vehicle complies with criteria for recycling and recovering vehicles at the end of their service life, which entered into force in 2015.

Some parts of your vehicle have therefore been designed to facilitate future recycling.

These parts are easy to remove so that they can be recovered and reprocessed by recycling companies.

By virtue of its design, moderate fuel consumption and initial settings, your vehicle also conforms to current antipollution regulations. The manufacturer is actively striving to reduce pollutant exhaust gas emissions and to save energy. But the fuel consumption of your vehicle and the level of pollutant exhaust gas emissions are also your responsibility. Ensure that it is maintained and used correctly.

### Maintenance

It is important to remember that failure to respect antipollution regulations could lead to legal action being taken against the vehicle owner. In addition, replacing engine, fuel supply system and exhaust components with parts other than those originally recommended by the manufacturer may alter your vehicle so that it no longer complies with antipollution regulations.

Have your vehicle adjusted and checked by an approved Dealer, in accordance with the instructions given in your maintenance schedule: they will have all the equipment necessary for ensuring that your vehicle is maintained to its original standard.

### Engine adjustments

- **Air filter, diesel filter:** a choked element will reduce efficiency. It must be replaced.
- **Idle speed:** this does not require adjustment.

### Exhaust gas monitoring system

The exhaust gas monitoring system will detect any operating faults in the vehicle's antipollution system.

If this system malfunctions, toxic substances may be released into the atmosphere or damage may occur.



This warning light on the instrument panel will indicate if there are any faults in the system:

This lights up when the ignition is switched on and goes out when the engine is started.

- If it lights up continuously, consult an approved Dealer as soon as possible;
- if it flashes, reduce the engine speed until the light stops flashing. Contact your approved dealer as soon as possible.



Refer to the information on "Reagent tank" in Section 1.

## ENVIRONMENT

Your vehicle has been designed with respect for the **environment** in mind for its entire service life: during production, use and at the end of its life.

This commitment is illustrated by the of the manufacturer eco<sup>2</sup> signature.

### Manufacture

Your vehicle has been manufactured at a factory which complies with a policy to reduce the environmental impact on the surrounding areas (reduction of water and energy consumption, visual and noise pollution, atmospheric emissions and waste water; sorting and re-using waste).

### Emissions

Your vehicle has been designed to emit fewer greenhouse gases (CO<sub>2</sub>) while in use, and therefore to consume less fuel (e.g. 170 g/km, equivalent to 6.4 l/100 km for a diesel vehicle).

Vehicles are also fitted with anti-pollution systems such as a catalytic converter, an oxygen sensor, and more.

For certain diesel vehicles, this system also has a particle filter to reduce the volume of soot particles emitted.

### Please make your own contribution towards protecting the environment too

- Worn parts replaced in the course of routine vehicle maintenance (vehicle battery, oil filter, air filter, batteries, etc.) and oil containers (empty or filled with used oil) must be disposed of through specialist organisations.

- At the end of the vehicle's service life, it should be sent to approved centres to ensure that it is recycled.
- In all cases, comply with local legislation.

### Recycling

Your vehicle is 85% recyclable and 95% recoverable.

To achieve these objectives, many of the vehicle components have been designed to enable them to be recycled. The materials and structures have been carefully designed to allow these components to be easily removed and reprocessed by specialist companies.

In order to preserve raw material resources, this vehicle incorporates numerous parts made from recycled plastics or renewable materials (vegetable or animal-derived materials such as cotton or wool).


## TYRE PRESSURE LOSS WARNING (1/3)



When fitted to the vehicle, this system notifies the driver if one or more tyres lose pressure.

### Operating principle

Each wheel (except for the emergency spare wheel) has a sensor in the inflation valve which periodically measures the tyre pressure while driving.

Warning light  1 comes on to alert the driver in the event of insufficient pressure (deflated wheel, punctured tyre, etc.).

### Resetting the standard level for the tyre pressures

This should be done:

- when the standard tyre pressure needs to be changed to adapt to usage conditions (empty, carrying a load, motorway driving, etc.);
- after swapping a wheel (however this practice is not recommended);
- after changing a wheel.

It should always be done after checking the tyre pressure of all four tyres when cold.

Tyre pressures must correspond to the current usage of the vehicle (empty, carrying a load, motorway driving, etc.).



This function is an additional driving aid.

However, the function does not take the place of the driver. It cannot, therefore, under any circumstances replace the vigilance or the responsibility of the driver.

Check the tyre pressures, including the emergency spare wheel, once a month.

## TYRE PRESSURE LOSS WARNING (2/3)



### Resetting procedure

With the ignition on:

- repeatedly press button **3** or **4** to select the “TYRE PRESSURE SET <PRESS-HOLD>” function on the display **2**;
- press and hold (around 3 seconds) button **3** or **4** to start initialisation. Display of the message “PRESSURE REF ONGOING” indicates that the reset request for the tyre pressure reference value has been taken into account.

Reinitialisation is carried out after a few minutes' driving.

### Note:

The standard tyre pressure cannot be less than that recommended and indicated on the door frame.

### Display

Display **2** on the instrument panel informs you of any tyre pressure faults (flat tyre, punctured tyre, etc.).

### « ADJUST TYRE PRESSURE »

Warning light  comes on, along with the message “ADJUST TYRE PRESSURE”.

These indicate that at least one tyre is flat.


Check and, if necessary, readjust the pressures of the four wheels when cold.

The warning light  goes off after a few minutes' driving.

The sudden loss of pressure in a tyre (burst tyre, etc.) cannot be detected by the system.

### « PUNCTURE »


The warning light  comes on steady, accompanied by the message “PUNCTURE” and a beep.

This message appears along with the  warning light.

They indicate that at least one wheel is punctured or severely underinflated. Replace it or contact an approved dealer if it is punctured. Top up the tyre pressure if the wheel is deflated.




allow.

Warning light  requires you to stop immediately, for your own safety, as soon as traffic conditions

## TYRE PRESSURE LOSS WARNING (3/3)

### « CHECK TYRE PRESSURE SENSORS »

The warning light  flashes for several seconds, then stays on, along with the message “CHECK TYRE PRESSURE SENSORS”.

This message appears along with the  warning light.

They indicate that at least one tyre is not fitted with sensors (e.g. emergency spare wheel). Otherwise, consult an authorised dealer.

### Readjustment of tyre pressures

**The tyre pressures must be adjusted when cold** (please refer to the label located on the edge of the driver's door). If tyre pressures cannot be checked when the tyres are **cold**, the recommended pressures must be increased by **0.2 to 0.3 bar (3 PSI)**.

**Never deflate a hot tyre.**



### Replacing wheels/tyres

This system requires specific equipment (wheels, tyres, hubcaps, etc.). Please see the information on “Tyres” in Section 5.

Contact an approved Dealer to fit new tyres and to find out about available accessories compatible with the system and available from your dealer network: the use of any other accessory could affect the correct operation of the system or damage a sensor.

### Emergency spare wheel

If the vehicle is equipped with an emergency spare wheel, it will not have a sensor. When it is fitted on the vehicle,

the warning light  flashes for several seconds, then stays on, together with the warning light  and the message “CHECK TYRE PRESSURE SENSORS” appears on the instrument panel.

### Tyre repair product and inflation kit

Because the valves are specially designed, only use equipment approved by the approved network. Please refer to “Tyre inflation kit” in Section 5.



#### Changing a wheel

The system may take several minutes depending on use for the new wheel pressures to be recognised; check the tyre pressures after all operations.



## DRIVING CORRECTION DEVICES AND AIDS (1/5)

Depending on the vehicle, this is composed of:

- anti-lock braking system (ABS);
- electronic stability program (ESC) with understeer control and traction control;
- driver assistance with a trailer;
- emergency brake assist;
- grip control;
- hill start assistance.

### Anti-lock braking system (ABS)



Under heavy braking, the ABS prevents the wheels from locking, allowing the stopping distance to be managed and keeping control of the vehicle.

Under these circumstances, the vehicle can be steered to avoid an obstacle whilst braking. In addition, this system can increase stopping distances, particularly on roads with low surface grip (wet ground etc.).

You will feel a pulsation through the brake pedal each time the system is activated. The ABS does not in any way improve the vehicle's physical performance relating to the road surface and road-holding. It is still **essential** to follow the rules of good driving practice (such as driving at a safe distance from the vehicle in front etc.).

In an emergency, apply **firm and continuous pressure** to the brake pedal. There is no need to pump it repeatedly. The ABS will modulate the force applied in the braking system.

### Operating faults:

-  and  lit up on the instrument panel accompanied by the messages "CHECK ABS", "CHECK BRAKING SYSTEM" and "Check ESC": this indicates that the ABS, the ESC and the emergency brake assist are disabled. **Braking is always enabled;**

- , ,  and  lit up on the instrument panel alongside the message "Braking system fault": **this indicates a fault in the braking system.**

In both cases, please consult an Authorised Dealer.



Your braking systems are partially operational. However, it is **dangerous to brake suddenly** and it is essential to stop immediately, as soon as traffic conditions allow. Contact an approved dealer.

## DRIVING CORRECTION DEVICES AND AIDS (2/5)

### Electronic stability program (ESC) with understeer control and traction control

#### Electronic stability control ESC

This system helps you to keep control of the vehicle in critical driving conditions (avoiding an obstacle, loss of grip on a bend, etc.).

#### Operating principle

A sensor in the steering wheel detects the direction selected by the driver.

Other sensors throughout the vehicle measure the actual direction.

The system compares driver input to the actual trajectory of the vehicle and corrects the trajectory if necessary by controlling the braking of certain wheels and/or engine power. In the event that the system is engaged, indicator light



flashes on the instrument panel.

#### Understeer control

This system optimises the action of the ESC in the case of pronounced understeer (loss of front axle road holding).

#### Traction control

This system helps to limit wheelspin of the drive wheels and to control the vehicle when pulling away accelerating or decelerating.



#### Operating principle

Using the wheel sensors, the system measures and compares the speed of the drive wheels at all times and slows down their over-rotation. If a wheel is starting to slip, the system brakes automatically until the drive supplied becomes compatible with the level of grip under the wheel again.

The system also adjusts the engine speed to the grip available under the wheels, independently of the pressure exerted on the accelerator pedal.

#### Operating faults

When the system detects an operating fault the message "Check ESC" and

warning light  and  appear on the instrument panel. In this case, the ESC and traction control system are deactivated.

Consult an approved dealer.



These functions are an additional aid in the event of critical driving conditions, enabling the vehicle behaviour to be adapted to suit the driving conditions.

The functions do not take the place of the driver. **They do not increase the vehicle's limits and should not encourage you to drive more quickly.** Therefore, they can under no circumstances replace the vigilance or responsibility of the driver when manoeuvring the vehicle (the driver must always be ready for sudden incidents which may occur when driving).

## DRIVING CORRECTION DEVICES AND AIDS (3/5)

### Driver assistance with a trailer

This system helps to maintain control over the vehicle while using a trailer. It detects shaking caused by towing a trailer under certain driving conditions.

#### Operating conditions

- The towbar must be approved by an authorised dealer;
- the harness must be approved by an authorised dealer;
- the towbar must be connected to the vehicle.

#### Operating principle

The function stabilises the vehicle by:

- asymmetric braking of the front wheels to reduce shaking caused by the trailer;
- braking of all four wheels and limitation on engine torque to reduce the vehicle speed until the shaking has stopped.

Warning light  flashes on the instrument panel to inform the driver.

### Emergency brake assist

This system supplements the ABS and helps reduce vehicle stopping distances.

#### Operating principle

The system is for detecting an emergency braking situation. In this case, the braking assistance immediately develops maximum power and may trigger ABS regulation.

ABS braking is maintained as long as the brake pedal is applied.

#### Hazard warning lights switching on

Depending on the vehicle, these may light up in the event of sudden deceleration.


### Braking anticipation

Depending on the vehicle, when you rapidly release the accelerator, the system anticipates the braking manoeuvre in order to reduce stopping distances.

When using the cruise control:

- if you use the accelerator, when you release it, the system may be triggered;
- if you do not use the accelerator, the system will not be triggered.

#### Operating faults

When the system detects an operating fault the message “CHECK BRAKING SYSTEM” appears on the instrument panel along with the  warning light.

Consult an approved dealer.

## DRIVER CORRECTION DEVICES AND AIDS (4/5)

### Grip control

If fitted on the vehicle, grip control makes it easier to control the vehicle on low grip surfaces (soft ground, etc.).



These functions are an additional aid in the event of critical driving conditions, enabling the vehicle behaviour to be adapted to suit the driving conditions.

The functions do not take the place of the driver. **They do not increase the vehicle's limits and should not encourage you to drive more quickly.** Therefore, they can under no circumstances replace the vigilance or responsibility of the driver when manoeuvring the vehicle (the driver must always be ready for sudden incidents which may occur when driving).



### “Road” mode


When the vehicle starts, the “STANDARD ROAD MODE ON” message is displayed on the instrument

panel. Warning light  on the instrument panel is out.

This position enables optimal usage under normal driving conditions (dryness, humidity, light snow, etc.).

“Road” mode uses traction control functions.

### “Soft ground” mode

Press the switch **1**: warning light  comes on the instrument panel accompanied by the message “NON GRIP ROAD MODE ON”.

This position enables optimal usage on soft ground (mud, sand, dead leaves, etc.). In this position, engine speed is left under the driver's control. The system automatically switches to “Road” mode at speeds above about 31 mph

(50 km/h) and the  warning light on the instrument panel goes out.



### Tyres

When they need to be replaced, only tyres of the same make, size, type and profile should be used.

**Tyres fitted to the vehicle should either be identical to those fitted originally or conform to those recommended by your approved dealer.**

## DRIVING CORRECTION DEVICES AND AIDS (5/5)

### Hill start assistance

Depending on the gradient of the incline, this system assists the driver when starting on a hill. It prevents the vehicle from rolling backwards, depending on the slope, by automatically applying the brakes when the driver lifts his/her foot off the brake pedal to depress the accelerator pedal.

### System operation

It only operates when the gear lever is in a position other than neutral and the vehicle is completely stationary (brake pedal depressed).

The system holds the vehicle for approximately **2 seconds**. The brakes are then gradually released (the vehicle will move according to the slope).



The hill start assistance system cannot completely prevent the vehicle from rolling backwards in all situations (extremely steep gradients etc.).

In all cases, the driver may depress the brake pedal to prevent the vehicle from rolling backwards.

The hill start assistance function should not be used for prolonged stops: use the brake pedal.

This function is not designed to immobilise the vehicle permanently.

If necessary, use the brake pedal to stop the vehicle.

The driver must remain particularly vigilant when driving on slippery or low-grip surfaces.

**Risk of serious injury.**

## SPEED LIMITER (1/3)

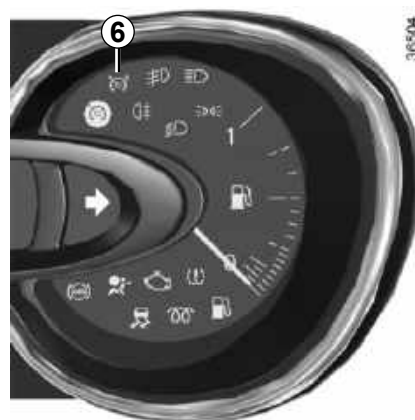


The speed limiter function helps you stay within the driving speed limit that you choose, known as the **limit speed**.




### Controls

- 1 Main “On/Off” switch.
- 2 Limit speed activation, storage and increase switch (+).
- 3 Decreasing the limit speed (-).
- 4 Activation and recall of memorised limit speed (R).
- 5 Speed limiter function standby (with limited speed memory) (O).



### Switching on

Press the side switch **1** . Indicator light **6** comes on, lit orange, and the message “SPEED LIMITER” appears on the instrument panel, accompanied by dashes to indicate that the speed limiter function is activated and waiting to store a limited speed.

To store the current speed, press switch **2** (+): the limit speed will replace the dashes.

The minimum stored speed is 20 mph (30 km/h).

## SPEED LIMITER (2/3)



### Driving

When a limited speed has been stored and this speed is not reached, driving is similar to driving a vehicle without the speed limiter function.

Once you have reached the stored speed, no effort on the accelerator pedal will allow you to exceed the programmed speed except in an emergency (refer to information on “Exceeding the limit speed”).

### Varying the limit speed

The limit speed may be changed by repeatedly pressing:

- switch **2 (+)** to increase speed;
- switch **3 (-)** to reduce speed.

### Exceeding the limit speed

It is possible to exceed the limit speed at any time. To do this: press the accelerator pedal **firmly and fully** (beyond the resistance point).

If the speed is exceeded, the limited speed flashes on the instrument panel accompanied by a beep.

Then, release the accelerator: the speed limiter function will return as soon as you reach a speed lower than the stored speed.

### Limited speed cannot be maintained

If driving up or down a steep gradient, the system is unable to maintain the limited speed: the memorised speed flashes on the instrument panel and a beep sounds at regular intervals to inform you.



The speed limiter function is in no way linked to the braking system.

## SPEED LIMITER (3/3)



### Putting the function on standby


The speed limiter function is suspended when you press switch **5** (O). In this case, the limit speed remains stored and the message “MEMORISED” accompanied by this speed appears on the instrument panel.

### Recalling the limit speed

If a speed has been saved, it can be recalled by pressing switch **4** ((R)).



### Switching off the function

The speed limiter function is deactivated if you press switch **1**: in this case a speed is no longer stored. The orange instrument panel warning light  goes out, confirming that the function is stopped.

When the speed limiter is put on standby, pressing switch **2** (+) reactivates the function without taking into account the stored speed: it is the speed at which the vehicle is moving that is taken into account.



## CRUISE CONTROL (1/4)



The cruise control function helps you to maintain your driving speed at a speed that you choose, called the **crusing speed**.

This crusing speed may be set at any speed above 20 mph (30 km/h).



The cruise control function is in no way linked to the braking system.



This function is an additional driving aid. The function does not take the place of the driver.

Therefore, it can under no circumstances replace the driver's responsibility to respect speed limits and to be vigilant (the driver must always be ready to brake).

Cruise control must not be used in heavy traffic, on undulating or slippery roads (black ice, aquaplaning, gravel) and during bad weather (fog, rain, side winds etc.).

**There is a risk of accidents.**



### Controls

- 1 Main "On/Off" switch.
- 2 Cruising speed activation, storage and increase switch (+).
- 3 Decreasing cruising speed (-).
- 4 Activation with recall of saved cruising speed (R).
- 5 Switch the function to standby (with cruising speed saved) (O).

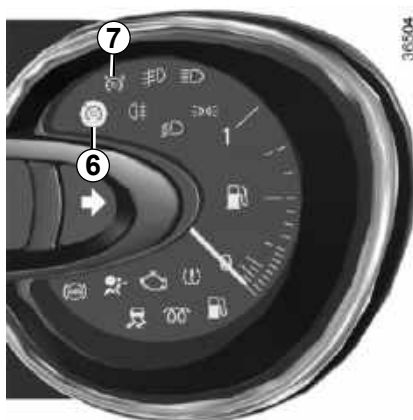
## CRUISE CONTROL (2/4)



### Switching on

Press switch **1** side .

Indicator light **7** comes on, lit green, and the message "CRUISE CONTROL" appears on the instrument panel, accompanied by dashes to indicate that the cruise control function is activated and waiting to store a cruising speed.



### Activating cruise control

At a steady speed (above 18 mph (30 km/h approximately)) press switch **2** or (+): the function is activated and the current speed is saved.

The cruising speed replaces the dashes and the cruise control is confirmed by the appearance of warning light **6** lit green, as well as warning light **7**.



### Driving

Once a cruising speed is stored and the cruise control function is active, you may lift your foot off the accelerator pedal.



Please note that you must keep your feet close to the pedals in order to react in an emergency.

## CRUISE CONTROL (3/4)



### Adjusting the cruising speed

The cruising speed may be changed by pressing the following repeatedly:

- switch **2** (+) to increase speed;
- switch **3** (-) to decrease the speed.



The cruise control function is in no way linked to the braking system.

### Exceeding the cruising speed

The cruising speed may be exceeded at any time by depressing the accelerator pedal. While it is being exceeded, the cruising speed flashes on the instrument panel.

Then, release the accelerator: after a few seconds, the vehicle will automatically return to its set cruising speed.

### Cruising speed cannot be maintained

When driving down a steep gradient, the system is unable to maintain the cruising speed: the stored speed will flash on the instrument panel information display to inform you of this situation.

## CRUISE CONTROL (4/4)




### Putting the function on standby

The function is set to standby if you:


- use the switch **5** (O);
- the brake pedal;
- the clutch pedal;

In all three cases, the cruising speed remains stored and the message “MEMORISED” appears on the instrument panel.

Standby is confirmed when indicator light  goes out.

### Returning to the cruising speed

If a speed is stored, it can be recalled, once you are sure that the road conditions are suitable (traffic, road surface, weather conditions, etc.). Press switch **4** (R) if the vehicle speed is above 20 mph (30 km/h).



When the stored speed is recalled, activation of the cruise control is confirmed by the illumination of the  warning light.

**NB:** if the speed previously stored is much higher than the current speed, the vehicle will accelerate more rapidly to reach this threshold.

When the cruise control function is put on standby, pressing switch **2** (+) reactivates the cruise control function without taking into account the stored speed: it is the speed at which the vehicle is moving that is taken into account.



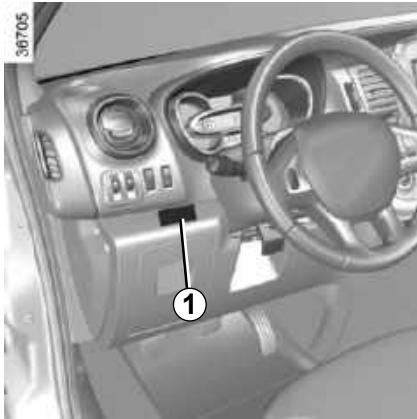
### Switching off the function

The cruise control function is deactivated if you press switch **1**: in this case a speed is no longer stored. The two instrument panel warning lights  and  go out to confirm that the function is deactivated.



Putting the cruise control on standby or switching it off does not cause a rapid reduction in speed: you must brake by depressing the brake pedal.

## VEHICLE WITH OVERSPEED FUNCTION



The vehicle speed may be permanently set at a fixed value depending on the vehicle or on local legislation.

To adjust the value or activate/deactivate the function, consult an approved dealer.

In the event of statutory limits (depending on the vehicle), this function may not be deactivated.

Label **1** attached to the dashboard shows the speed limit.

**Special case:** if your vehicle is fitted with the Cruise control/Speed limiter, fully depressing the accelerator pedal (beyond the kickdown point) will not allow you to exceed the overspeed function set speed (refer to the information on the “Speed limiter” in Section 2).

In exceptional circumstances (e.g. steep gradient), the overspeed function speed may be exceeded slightly as the function does not affect the braking system.



The function does not take the place of the driver. Under no circumstances should it replace observation of speed limits nor vigilance and responsibility on the part of the driver.

## FAST IDLE SPEED





Press control **1**, and the function will be activated after a few seconds.

### Modifying fast idle speed

To increase or reduce the speed, contact an approved dealer.

### Switching off the function

The function is interrupted when:

- you depress the clutch pedal and/or accelerator pedal;
- the vehicle speed is above 0 mph;
- the **STOP** indicator light is lit up on the instrument panel;
- the  indicator light is lit up on the instrument panel;
- the  indicator light is lit up on the instrument panel.

**Special feature relating to the Stop and Start** function: activation of the “Fast Idle Speed” function stops the engine going into standby (refer to the information on “Stop and Start” in section 2).

## PARKING DISTANCE CONTROL (1/2)

### Operating principle

Ultrasonic detectors, installed in the rear bumper (depending on the vehicle), measure the distance between the vehicle and an obstacle whilst reversing.

This measurement is indicated by beeps which become more frequent the closer you come to the obstacle, until they become a continuous beep when the vehicle is approximately 30 centimetres from the obstacle.

When reverse gear is selected, most objects which are less than approximately 1.20 metres from the rear of the vehicle are detected, a beep sounds and, depending on the vehicle, the display **1** shows the area around the vehicle.



The parking distance control system does not take into account towing and load carrying systems etc.



**Note:** make sure that the ultrasonic sensors are not obscured (by dirt, mud, snow, etc.).



This function is an additional aid that indicates the distance between the vehicle and an obstacle whilst reversing, using sound signals.

Under no circumstances should it replace the driver's care or responsibility whilst reversing.

The driver should always be ready for sudden incidents while driving: always ensure that there are no small, narrow moving obstacles (such as a child, animal, pushchair, bicycle, stone, post, etc.) in the blind spot when manoeuvring.



An impact to the underside of the vehicle while manoeuvring (e.g. striking a post, raised kerb or other street furniture) may result in damage to the vehicle (e.g. deformation of an axle).

To avoid any risk of accident, have your vehicle checked by an approved Dealer.

## PARKING DISTANCE CONTROL (2/2)



### Adjusting the parking distance control volume

Depending on the vehicle, certain settings can be adjusted from the multimedia screen **1**. Please see the equipment instructions for further information.



### Temporary deactivation of the system

Press switch **2** to deactivate the system.

The indicator light built into the switch lights up to remind you that the system is deactivated.

Pressing the switch again will reactivate the system and switch off the indicator light.

Depending on the vehicle, you can deactivate the parking distance control from the multimedia screen. Please see the equipment instructions for further information.

The system is automatically reactivated after the ignition is switched off and the engine restarted.


### Prolonged deactivation of the system

You can deactivate the system permanently by pressing and holding switch **2**.

The warning light built into the switch remains lit constantly.

The deactivated system can be reactivated by pressing and holding the switch again.

### Operating faults

Depending on the vehicle, when the system detects an operating fault, the message “check parking distance control” appears on the instrument panel, accompanied by the warning light  and a beep lasting approximately 5 seconds. Please contact an authorised dealer.



## REVERSING CAMERA (1/2)



### Operation

Moving into reverse gear, the camera **1** located on the tailgate or, depending on the vehicle, on the rear hinged door, provides a view of the area behind the vehicle on the rear-view mirror **2** or, depending on the vehicle, on the multimedia display **3**, accompanied by two moving or fixed guide lines **4** and **5**.



**Note:** make sure that the reversing camera is not obscured (by dirt, mud, snow, condensation, etc.).



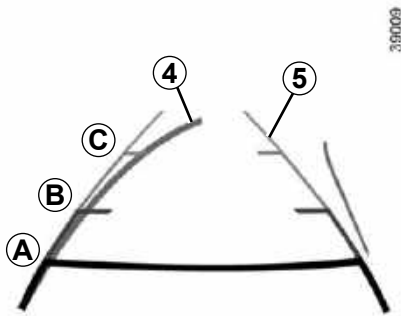
**Note:** depending on the vehicle, you can adjust certain settings from the multimedia display **3**. Refer to the handbook for the equipment.



This function is an additional aid. It cannot, therefore, under any circumstances replace the vigilance or the responsibility of the driver.

The driver should always be ready for sudden incidents while driving: always ensure that there are no small, narrow moving obstacles (such as a child, animal, pushchair, bicycle, stone, post, etc.) in the blind spot when manoeuvring.

## REVERSING CAMERA (2/2)



### Dynamic gauge 4 (depending on the vehicle)

This is shown in blue on the multimedia display 3. It indicates the vehicle trajectory according to the position of the steering wheel.

### Static guide line 5:

The fixed clearance gauge comprises coloured markers **A**, **B** and **C**, indicating the distance behind the vehicle:

- **A** (red) approximately 30 centimetres from the vehicle;
- **B** (yellow) approximately 70 centimetres from the vehicle;
- **C** (green) approximately 150 centimetres from the vehicle.

This gauge remains fixed and indicates the vehicle trajectory if the wheels are in line with the vehicle.

This system is initially used with the aid of several gauges (mobile for trajectory and fixed for distance). When the red zone is reached, use the bumper image to stop accurately.

The screen shows a reverse image.

The frames are a representation projected on a flat surface. This information is to not be taken into account when superimposed on a vertical object or an object on the ground.

Objects which appear on the edge of the screen may be deformed.

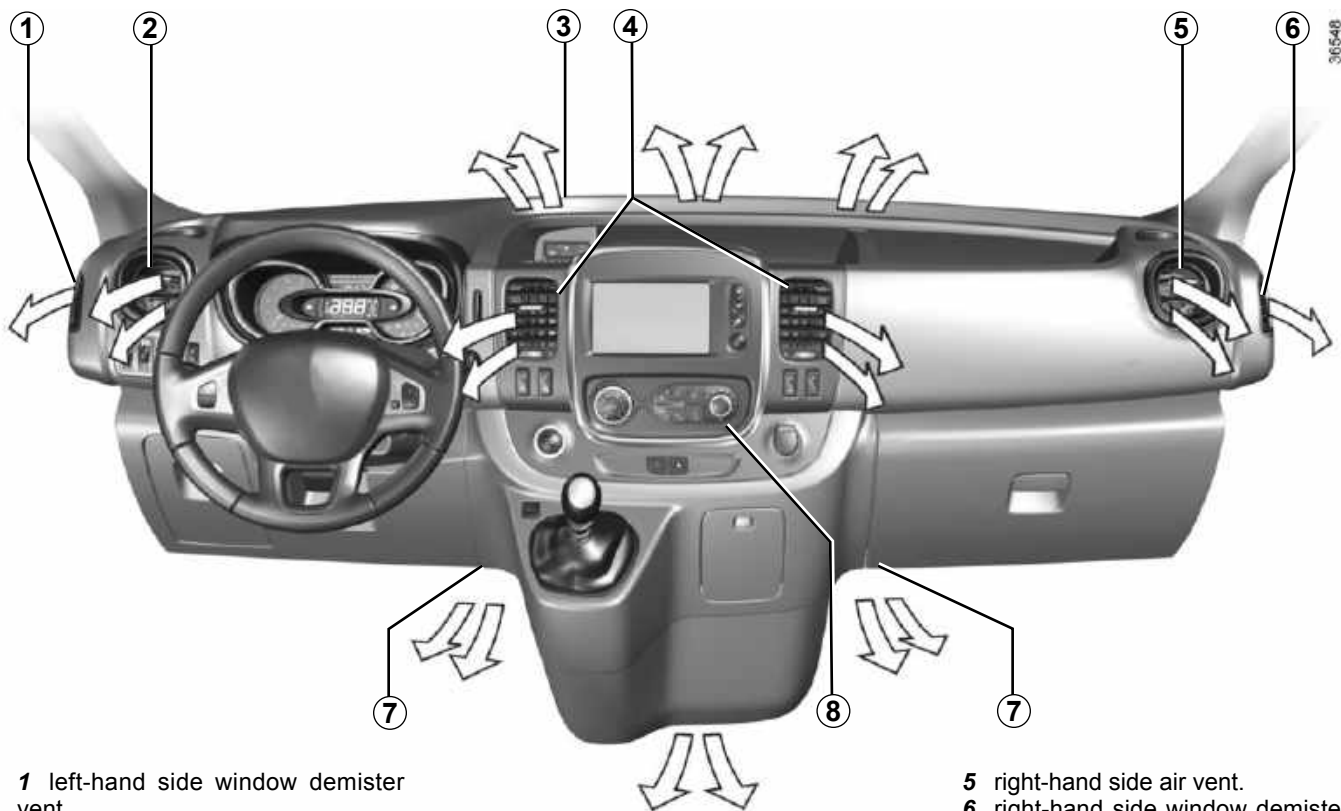
In very bright light (snow, vehicle in sunshine etc.), the camera vision may be adversely affected.

If the rear doors are open or poorly closed, the message "BOOT OPEN" appears and, depending on the vehicle, the camera display disappears.

# Section 3: Your comfort

Air Vents . . . . .	3.2
Manual air conditioning/heating system . . . . .	3.4
Automatic climate control . . . . .	3.8
Air conditioning: information and advice on use . . . . .	3.12
Additional heating and air conditioning . . . . .	3.14
Windows . . . . .	3.16
Sun visor . . . . .	3.18
Interior lighting . . . . .	3.19
Passenger compartment storage/ fittings . . . . .	3.22
Ashtray, accessories socket . . . . .	3.31
Rear bench seat: functions . . . . .	3.34
Luggage cover . . . . .	3.38
Luggage net . . . . .	3.39
Transporting objects . . . . .	3.41
Transporting objects: . . . . .	3.43
towing, attachments . . . . .	3.43
Multimedia equipment . . . . .	3.44

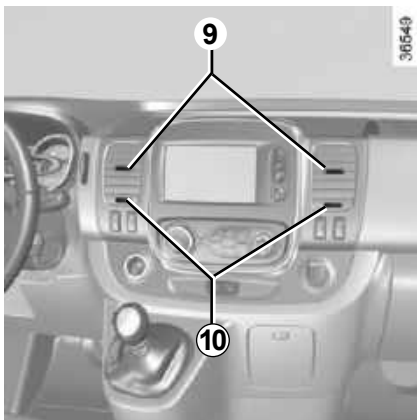
## AIR VENTS, air outlets (1/2)



- 1 left-hand side window demister vent.
- 2 left-hand side air vent.
- 3 windscreen demisting vents.
- 4 centre air vents.

- 5 right-hand side air vent.
- 6 right-hand side window demister outlet.
- 7 passenger footwell heater outlets.
- 8 control panel.

## AIR VENTS, air outlets (2/2)



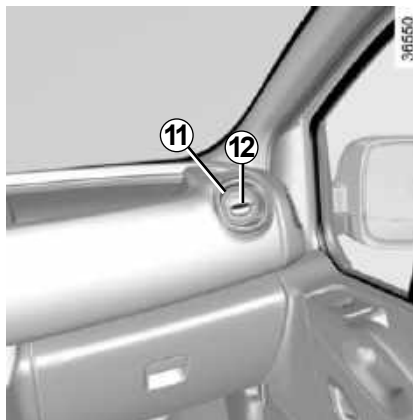
### Centre air vents.

To close the vents, lower the tabs **9** fully.

#### Direction

Up/down: move the tabs **9**.

Right/left: move the control knobs **10**.



### Side air vents

#### Air flow

To open air vent **11**, press on the air vent (point **12**) until it is open as far as required.

#### Direction

To direct the air flow, swivel side air vent **11**.

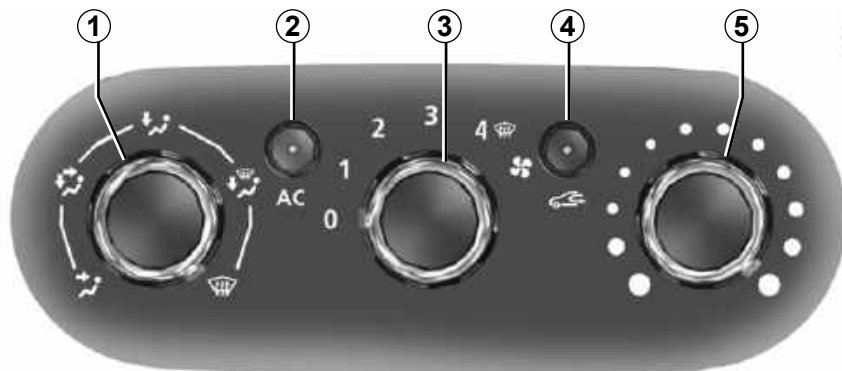
To remove bad odours from your vehicles, only use the systems designed for this purpose. Consult an approved Dealer.



Do not add anything to the vehicle's ventilation circuit (for example, to remove bad odours).

**There is a risk of damage or of fire.**

## MANUAL AIR CONDITIONING (1/4)



### Controls

The controls will depend on the vehicle equipment level.

- 1 Distribution of air.
- 2 Switching air conditioning on or off.
- 3 Adjusting the ventilation fan speed.
- 4 Switching passenger compartment isolation mode/air recirculation mode on
- 5 Air temperature adjuster.

**Information and advice on use:** refer to information on “Air conditioning: information and advice on use”.

### Adjusting the air temperature

Turn control **5** to obtain the desired temperature. The further towards the red the slide is, the higher the temperature will be.

### Adjusting the ventilation fan speed

Turn control **3** from 0 to 4. The further to the right it is positioned, the more air is blown into the passenger compartment. If you want to shut off the flow of air, set control **3** to 0.


The system is deactivated: the ventilation speed for the passenger compartment air is zero (vehicle stationary), you can however still feel a slight flow of air when the vehicle is moving.

### Note

Leaving this control in position 0 for prolonged periods can lead to condensation forming on the side windows and windscreen and problems due to the use of non-renewed air in the passenger compartment.

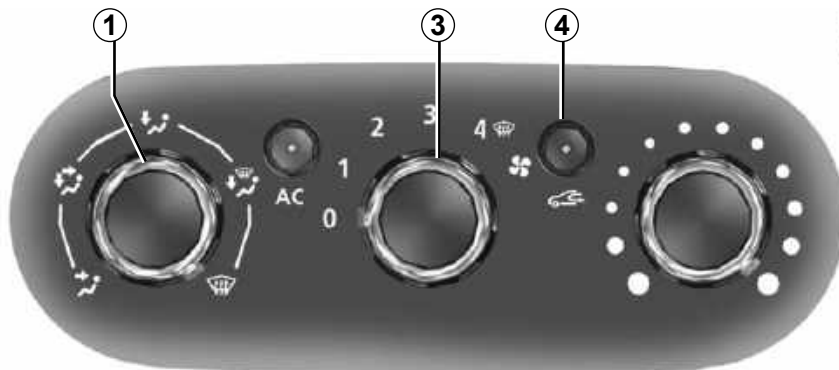
### Rapid demisting

Isolation of the passenger compartment/air recirculation deactivated (warning light integrated in button 4 is

off), put controls **1** and **3** to  positions.

Using the climate control increases the speed of demisting.

## MANUAL AIR CONDITIONING (2/4)



### Switching passenger compartment isolation mode/ air recirculation mode on.

Press button **4** (the warning light comes on).

Under these conditions, air is taken from the passenger compartment and is recirculated, with no air being taken from outside the vehicle.

### Air recirculation is used to:

- to isolate the passenger compartment from the external atmosphere (e.g. driving in polluted areas, etc.);
- to bring the passenger compartment to the desired temperature as quickly as possible.

Prolonged use of air recirculation can lead to condensation forming on the side windows and windscreen, and discomfort due to the use of non-renewed air in the passenger compartment. We therefore advise you to return to normal mode (external air) as soon as the air recirculation function is no longer required, by pressing the button **4** again.



### Rear screen de-icing/ demisting

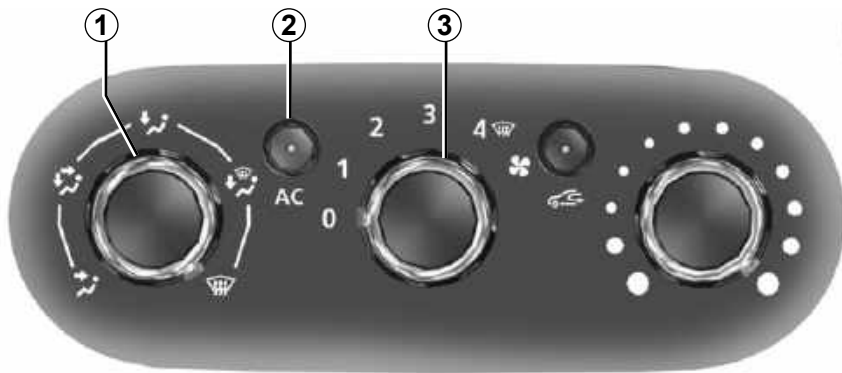
**With the engine running**, press switch **6**. The integrated indicator light comes on.

This function permits rapid demisting/ de-icing of the rear screen and de-icing of the door mirrors (on equipped vehicles).

**To exit the function**, press switch **6** again.

Demisting automatically stops.

## MANUAL AIR CONDITIONING (3/4)



### Distribution of air in the passenger compartment

Turn control **1** to choose the distribution option.



All the air flow is directed to the dashboard vents.



The air flow is directed towards the dashboard vents and the footwells.



The air flow is mainly distributed between the front and rear footwells and the dashboard vents. Close the dashboard vents to direct all the air to the foot wells.



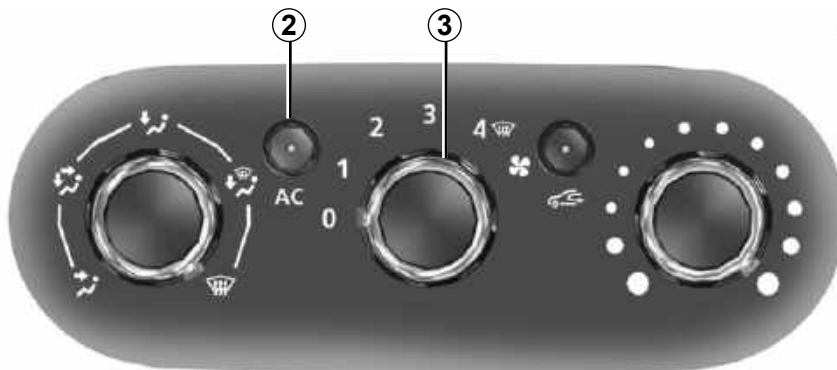
The air flow is distributed between all the air vents, the front side window demisting air vents, the windscreen demisting vents and the footwells.



All the air is then directed to the windscreen and front side window demisting vents.



## MANUAL AIR CONDITIONING (4/4)



### Switching air conditioning on or off

The air conditioning is switched on (indicator light illuminated) or off (indicator light extinguished) using button 2.

Activation is not possible if control 3 is set to 0.

The air conditioning system is used for:

- lower the temperature inside the passenger compartment;
- eliminate condensation more quickly.

The air conditioning does not operate when the exterior temperature is low.

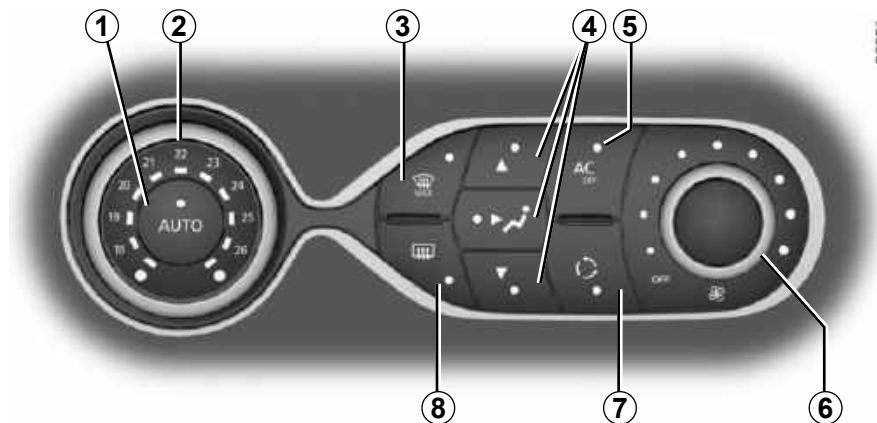


**Do not open the refrigerant fluid circuit.** The fluid may damage eyes or skin.



**Vehicles fitted with the ECO mode (button 7):** Once activated, ECO mode may reduce the effective performance of the heating and/or air conditioning. Please refer to the information on “Driving advice, Eco-driving” in Section 2.

## AUTOMATIC CLIMATE CONTROL (1/4)



### The controls

- 1 Automatic mode.
- 2 Air temperature adjuster.
- 3 “Clear View” function.
- 4 Passenger compartment air distribution adjustment.
- 5 Air conditioning control.
- 6 Adjusting the ventilation fan speed.
- 7 Air recirculation.
- 8 De-icing/demisting of the rear screen and, depending on the vehicle, the door mirrors.

### Automatic mode

The automatic climate control system guarantees comfort in the passenger compartment and good visibility (except in the event of extreme conditions), while optimising consumption. The system controls the ventilation speed, air distribution, air recirculation, and starting and stopping the air conditioning and air temperature.

**AUTO:** allows the selected comfort level to be best attained, depending on the exterior conditions. Press button 1.

### Varying the ventilation speed

In automatic mode, the system uses the most suitable amount of air to reach and maintain the desired comfort level.

You can still adjust the ventilation speed by turning control 6 to increase or reduce the ventilation speed.

### Adjusting the air temperature

Turn control 2 to obtain the desired temperature.

Turning the control to the right increases the temperature.

**Special note:** the maximum and minimum settings allow the system to produce a minimum or maximum temperature (18°C and 26°C).

# AUTOMATIC CLIMATE CONTROL (2/4)

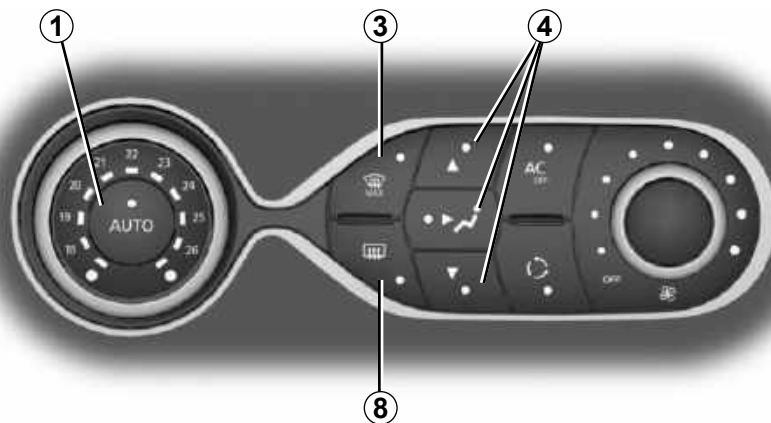
## Clear View function

Press button **3** – the integrated indicator light comes on.

This function quickly demists and deices the windscreen, the rear screen, the front side windows, and the door mirrors (depending on the vehicle). The air conditioning and rear screen de-icing functions must be activated.

Press button **8** to stop the heated rear screen operating, and the integrated indicator goes out.


**To exit this function**, press button **3** or **1**.





## Adjusting the distribution of air in the passenger compartment

Press one of the buttons **4**. The integrated warning light in the button comes on.

It is possible to combine two positions simultaneously – press both buttons **4**.

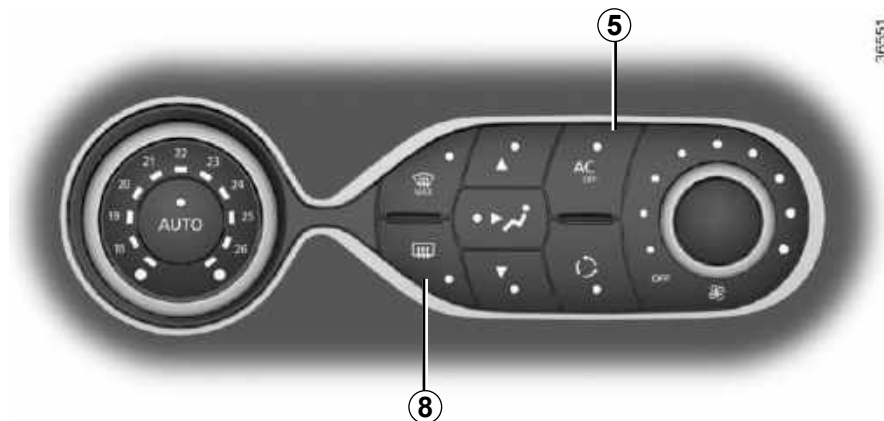
 The air flow is distributed between all the air vents, the front side window demisting air vents and the windscreen demisting vents.

 The air flow is mainly directed to the dashboard air vents.

 The air flow is directed mainly towards the footwells.

Some buttons have an operating tell-tale which indicates the operating status.

## AUTOMATIC CLIMATE CONTROL (3/4)



### Rear screen de-icing/ demisting

Press button **8** – the integrated indicator light comes on. This function enables rapid demisting or de-icing of the rear screen and de-icing of the door mirrors (on equipped vehicles).

**To exit this function**, press button **8** again. Demisting automatically stops.

### Switching air conditioning on or off

In automatic mode, the system switches the air conditioning system on or off, depending on the climate conditions.

Press button **5** to switch off the air conditioning; the integrated indicator comes on.

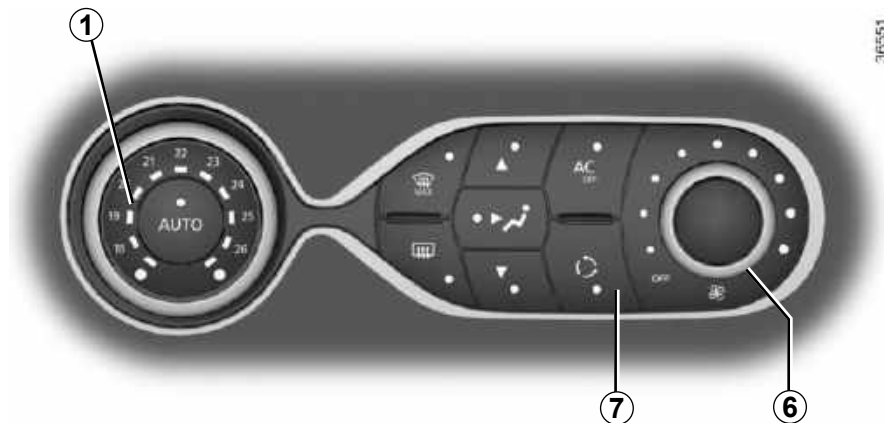


**Do not open the refrigerant fluid circuit.** The fluid may damage eyes or skin.



**Vehicles fitted with the ECO mode (button 9):** Once activated, the ECO mode may reduce the effective performance of the air conditioning. Please refer to the information on “Driving advice, Eco-driving” in Section 2.

## AUTOMATIC CLIMATE CONTROL (4/4)



### Air recirculation (isolation of the passenger compartment)



This function is managed automatically (operation is confirmed by a warning light on button **7**), but you can also activate it manually.

The demisting/de-icing will still take priority over the air recirculation.

#### NB:

- during recirculation, air is taken from the passenger compartment and is recycled, with no air being taken from outside the vehicle;
- air recirculation allows the external atmosphere to be cut off (when driving in polluted areas, etc.);
- bringing the passenger compartment to the desired temperature as quickly as possible.

### Manual use

Press button **7** – the integrated indicator light comes on.

Prolonged use of this position may lead to odours, caused by non-renewal of air, and the formation of condensation on the windows.

We therefore advise you to return to automatic mode as soon as air recirculation is no longer needed, by pressing button **7**.

To exit this function, press button **7** again.

### Stopping the system

Turn control **6** to “OFF” to stop the system. To start, turn control **6** again to adjust the blower speed or press button **1**.

# AIR CONDITIONING: information and operating instructions (1/2)

## Advice on use

In some situations (air conditioning off, air recirculation activated, ventilation speed at zero or low etc.), you may notice that condensation starts to form on the windows and windscreen.

If there is condensation, use the “**Clear View**” function to remove it, then use the air conditioning in automatic mode to stop it forming again.

### Vehicles equipped with modeECO

Once activated, ECO mode may reduce air conditioning performance. Please refer to the information on “Driving advice, Eco-driving” in Section 2.



Do not add anything to the vehicle's ventilation circuit (for example, to remove bad odours).

**There is a risk of damage or of fire.**

## Fuel consumption

You will normally notice an increase in fuel consumption (especially in town) when the air conditioning is operating. For vehicles fitted with air conditioning with no automatic mode, switch off the system when it is not required.

### Advice for reducing consumption and helping to preserve the environment

Drive with the air vents open and the windows closed. If the vehicle has been parked in the sun, open the doors for a few moments to let the hot air escape before starting the engine.

## Maintenance

Refer to the Maintenance Document for your vehicle for the inspection frequency.

Use the air conditioning system regularly, even in cold weather, running it at least once a month for approximately 5 minutes.

## Operating faults

As a general rule, contact your approved dealer in the event of an operating fault.

- **Reduction in de-icing, demisting or air conditioning performance.**  
This may be caused by the passenger compartment filter cartridge becoming clogged.
- **No cold air is being produced.**  
Check that the controls are set correctly and that the fuses are sound. Otherwise, switch off the system.

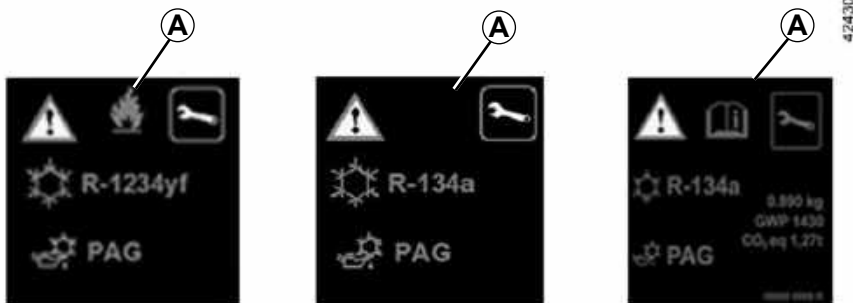
### Presence of water under the vehicle

After prolonged use of the air conditioning system, it is normal for water to be present under the vehicle. This is caused by condensation.



**Do not open the refrigerant fluid circuit.** The fluid may damage eyes or skin.


# AIR CONDITIONING: information and operating instructions (2/2)








The refrigerant circuit may contain fluorinated greenhouse gases.

Depending on the vehicle, you will find the following information on label **A** affixed inside the engine compartment.

The presence and location of the information on label **A** depends on the vehicle.


 Before performing any action in the engine compartment, the ignition must be switched off (please see the information on “Starting, stopping the engine” in Section 2).

-  **Type of refrigerant fluid**
-  **Type of oil in the air conditioning circuit**
-  **Inflammable product**
-  **Consult the driver's handbook**
-  **Maintenance**

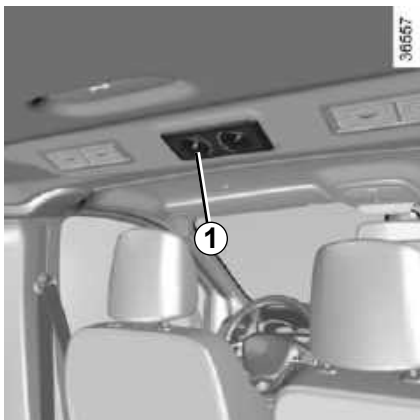
x.xxx kg Quantity of refrigerant fluid present in the vehicle.

GWP xxxxx Global Warming Potential (CO<sub>2</sub> equivalent).

CO<sub>2</sub> eq  
x.xx t Quantity in weight and in CO<sub>2</sub> equivalent.

 **Do not open the refrigerant fluid circuit.** The fluid may damage eyes or skin.

## ADDITIONAL AIR CONDITIONING (1/2)

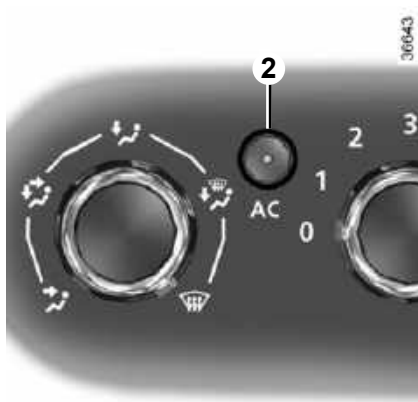


On equipped vehicles, there are four adjustable air vents and controls **1**.

These controls only affect the amount of air blown into the passenger compartment:

- one control for hot (air comes from lower vents);
- one control for cold (air comes from upper vents).

**Note:** avoid closing the four air vents at the same time (risk of damaging the system components).



### Vehicle fitted with manual air conditioning

Make sure that the air conditioning is operational (warning light on button **2** lit up).

**Note:** the button **2** has an operation warning light:

- indicator light on, the function is switched on;
- indicator light off, the function is switched off.



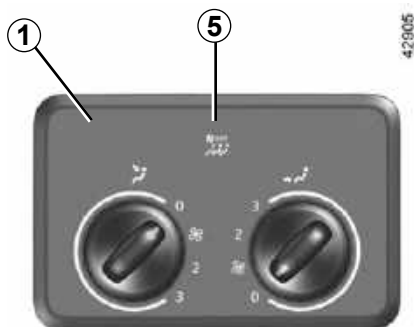
## ADDITIONAL AIR CONDITIONING (2/2)



### Vehicle fitted with automatic air conditioning

Make sure that the air conditioning is operational (warning light on A/C OFF button **3** switched off).

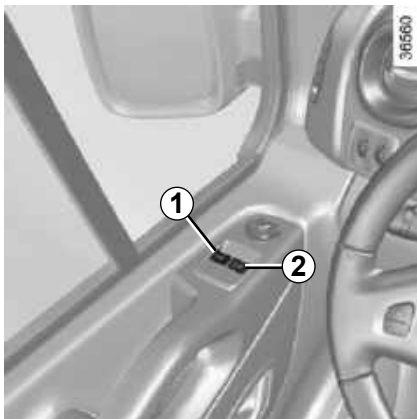
To activate the control settings for **1**, press the switch **4**. Switch **4** warning light and **5** control **1** warning light are off.



**Note:** the switch **4** and the control **1** have an operation warning light:

- warning lights **4** and **5** lit, control **1** is not activated;
- warning lights **4** and **5** off, control **1** is in operation.

## WINDOWS (1/2)



### Electric windows

#### With the ignition on:

- press the switch for the window concerned to lower it to the desired height;
- lift the switch for the window concerned to raise it to the desired height.

#### From the driver's seat

Operate the switches as follows:

- **1** for the driver's side;
- **2** for the front passenger side.



#### From the front passenger seat

Press switch **3**.

Avoid resting any objects against a half-open window: there is a risk that the electric window winder could be damaged.



#### Driver's responsibility

Never leave your vehicle with the RENAULT card or key inside, and never leave a child, adult who is not self-sufficient or a pet, even for a short while. They may pose a risk to themselves or to others by starting the engine or activating equipment (such as the gear lever or electric windows). If any part of the body becomes trapped, reverse the direction of the window immediately by pressing the relevant switch.

**Risk of serious injury.**

## WINDOWS (2/2)



### One-touch mode

Depending on the vehicle, this mode works in addition to the operation of the electric windows described previously. It is only fitted to the driver's window. Briefly press or pull switch **1** fully: the window is fully lowered or raised. Pressing the switch again stops the window moving.

**Note:** if the window detects resistance when closing (e.g.: branch of a tree, etc.) it stops and then lowers again by a few centimetres.

### Operating faults

In case of a fault when closing a window, the system reverts to normal mode: pull the switch concerned up as often as necessary to fully close the window (the window will close gradually), hold the switch (still on the closure side) for one second then lower and raise the window fully to reinitialise the system.

If necessary, contact your authorised dealer.



### Sliding rear windows

Move the handle **4** and slide the window to the desired notch.



When closing the windows, ensure that no part of the body (arm, hand, etc.) is protruding from the vehicle.

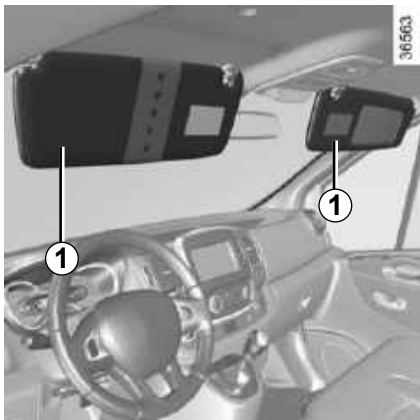
**Risk of serious injury.**



**Sliding windows and doors**

**Before moving them,** ensure that no passenger has part of their body outside the window or door.

## SUN VISOR



### Sun visor

Lower sun visor **1**.

The sun visor can be swung round against the window.



### Courtesy mirror or additional rear-view mirror **2**

(depending on the vehicle)

Lower the sun visor to access the mirror.

### Special feature of the additional rear-view mirror

Please refer to the information on "Rear-view mirrors" in Section 1.

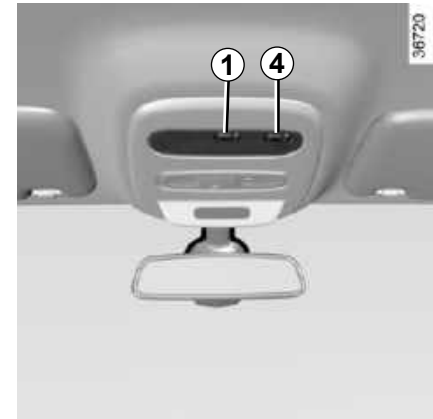
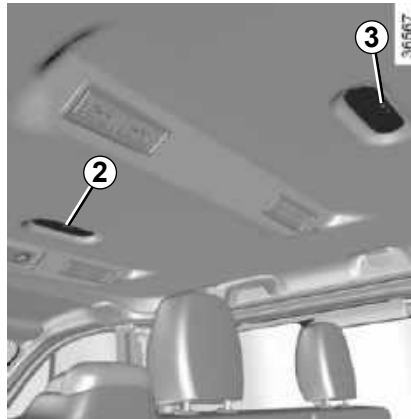
## INTERIOR LIGHTING (1/3)



### Courtesy lights

Using switches **1**, **2** or **3** will activate:

- permanent lighting;
- intermittent lighting, which comes on when a door is opened. It goes out when the doors concerned are properly closed;
- immediate switching off.



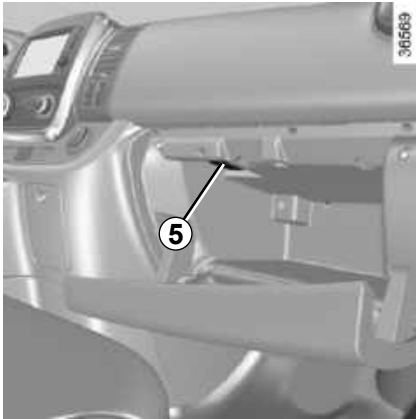
### Map reading light

(depending on the vehicle)

Move switch **4**.

When the doors are unlocked and opened, the courtesy and footwell lights come on temporarily.

## INTERIOR LIGHTING (2/3)



### **Glove box light 5**

This lights up when the glovebox is opened.

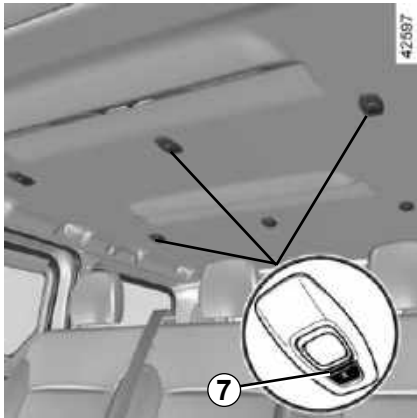


### **Luggage compartment light 6**

It comes on when the boot is opened.

With the doors properly shut, locking or starting the engine make the interior lights and the courtesy lights go out.

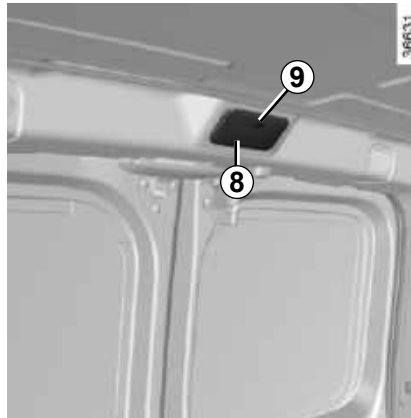
## INTERIOR LIGHTING (3/3)



### Light for rear seats 7

Press the switch 7 to activate:

- permanent lighting;
- lighting controlled by opening one of the doors.



### Rear light 8

Turn the switch 9 to activate:

- permanent lighting;
- intermittent lighting, which comes on when a rear door is opened. The light only goes out when the doors are correctly closed;
- lighting switches off immediately.

## PASSENGER COMPARTMENT STORAGE, FITTINGS (1/9)



### Location 1

This location can be used as a cup holder, a storage compartment or as a receptacle to fit the ashtray.

### Storage compartment 3

To open, pull the handle 2.



Nothing should be placed on the floor (area in front of driver) as such objects may slide under the pedal during braking manoeuvres, thus obstructing its use.



Ensure that no hard, heavy or pointed objects are placed in the "open" storage compartments in such a way that they may fall onto passengers during sudden turning, braking or in the event of an accident.

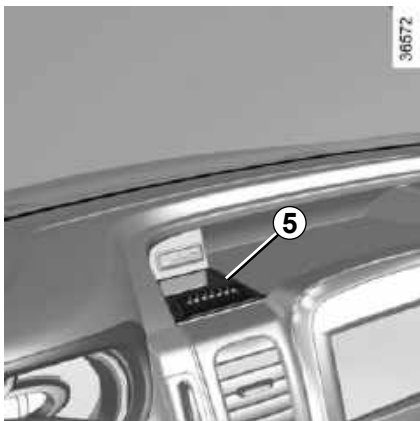


### Sun visor storage 4

This can be used for storing motorway tickets, cards, etc.



## PASSENGER COMPARTMENT STORAGE, FITTINGS (2/9)



### Storage 5

These can hold bank cards, loose change, etc.



### Telephone holder 6



#### Using a telephone and/or multimedia tablet

We remind you of the need to conform to the legislation in force concerning the use of such equipment.

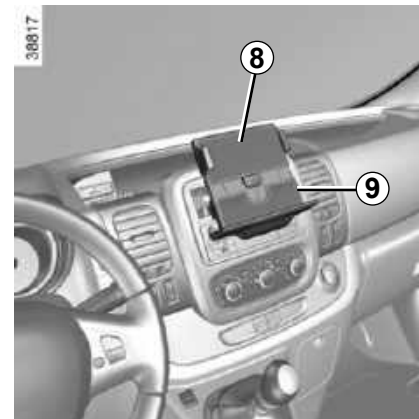
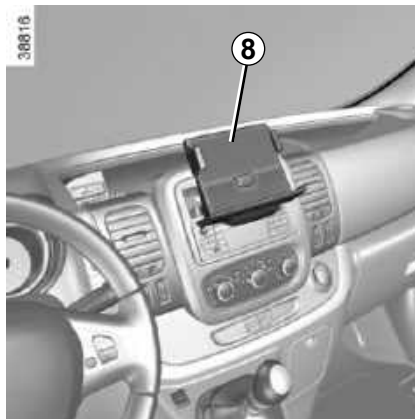
## PASSENGER COMPARTMENT STORAGE, FITTINGS (3/9)



### Holder for multimedia tablet **8**

Pull the handle **7** towards you fully.

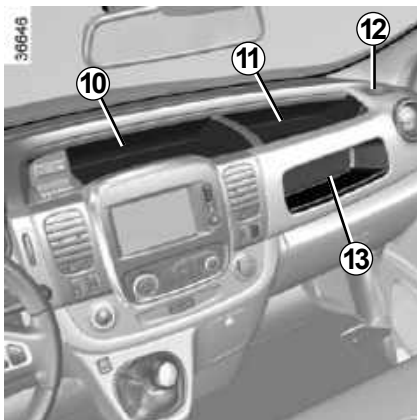
Swivel the holder **8** and push it in fully.



If necessary, lower the base **9** of the holder **8** to extend it.

To refit it, pull the holder fully towards you, lift it up until it is horizontal and push it in fully.

## PASSENGER COMPARTMENT STORAGE, FITTINGS (4/9)



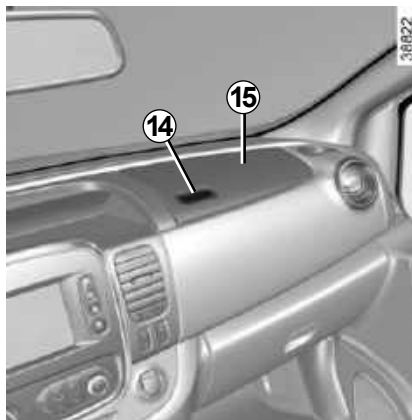
**Dashboard storage compartment 10, 11 and 12**

### Location 12

This location can be used as a cup holder, a storage compartment or as a receptacle to fit the ashtray.



Nothing should be placed on the floor (area in front of driver) as such objects may slide under the pedal during braking manoeuvres, thus obstructing its use.

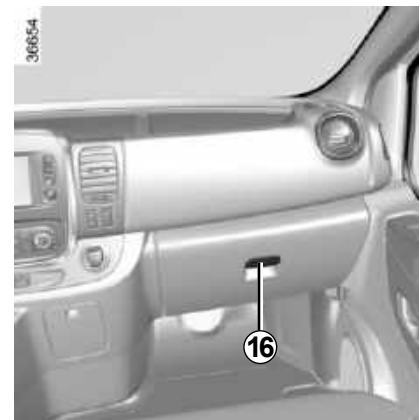


**Dashboard passenger storage compartment 15**

To open, press the control **14**.



Ensure that no hard, heavy or pointed objects are placed in the "open" storage compartments in such a way that they may fall onto passengers during sudden turning, braking or in the event of an accident.



**Passenger side glove box**

To open, press control **16**.

Depending on the vehicle, the glove box may have ventilation and air conditioning (one 1.5 litre bottle can be stored there).

## PASSENGER COMPARTMENT STORAGE, FITTINGS (5/9)



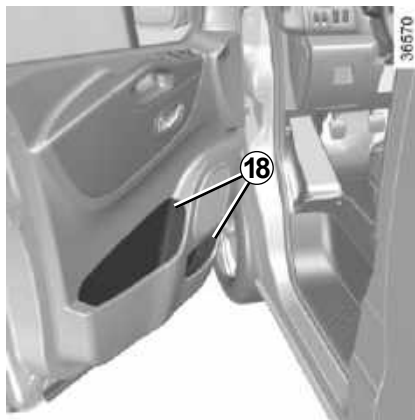
### Location 17

This location can be used as a cup holder, a storage compartment or as a receptacle to fit the ashtray.

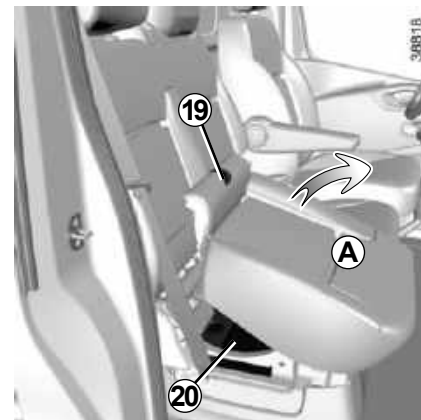


When turning corners, accelerating or braking, ensure that the receptacle being held by the cup holder is not dislodged.

There is a risk of injury if hot liquid escapes.



### Front door storage compartments 18



### Storage compartment 20 under the front seat

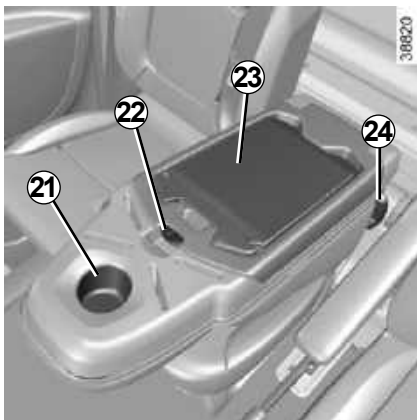
To access this, pull the tab 19 and move the seat A forwards.



Always close the seat base when driving:

- there is a risk of injury when braking suddenly or in the event of an accident;
- there is a risk of objects being hurled through the passenger compartment.

## PASSENGER COMPARTMENT STORAGE, FITTINGS (6/9)



### Seatback in table position

On equipped vehicles, lower the back of the centre seat by lifting the control **24**. On the back of the centre seat you will find:

- a cup holder **21**;
- storage **25**;
- a shelf **23**.



It is forbidden to sit in the centre seat if its seatback is folded down.

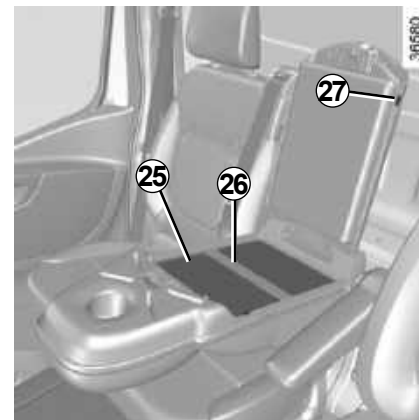


**Note:** Make sure the storage **17** is closed before folding back the centre seat.



When turning corners, accelerating or braking, ensure that the receptacle being held by the cup holder is not dislodged.

There is a risk of burning if hot liquid escapes.



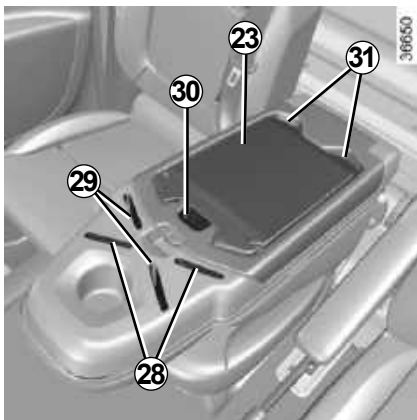
### Storage 25

To open, press control **22**.

The strap **26** inside can keep an item in position.

With the storage **25** closed, the passage **27** allows you to plug in a charging cord to connect devices to an accessories socket.

## PASSENGER COMPARTMENT STORAGE, FITTINGS (7/9)



### Tray 23

To unlock the tray, press the control **30**.

To install the tray, insert the end pieces **31** of the tray into the slots **28** or **29**.



You can attach it using the document grip **32**.

To remove the tray, press the control **33**.

**NB:** Make sure you replace the tray and remove any item from the cup holder before raising the centre seat back. Check that the back of the centre seat is properly locked.



Ensure that no hard, heavy or pointed objects are placed in the open storage compartments in such a way that they may fall on any passengers during sudden turning, braking or in the event of an accident.

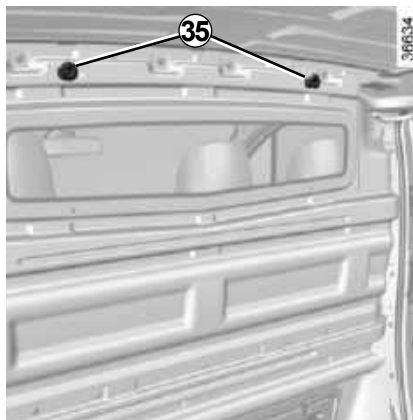
## PASSENGER COMPARTMENT STORAGE, FITTINGS (8/9)



### Grab handle 34

This offers support and can be held when the vehicle is being driven.

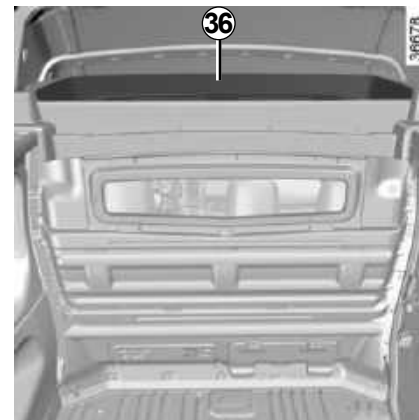
Do not use it for getting into or out of the vehicle.



### Clothes hooks 35

Depending on the vehicle, hooks may be placed in the partition in the loading space.

For safety reasons, this hook may only be used to hang clothes.



### Rear load area storage compartment 36

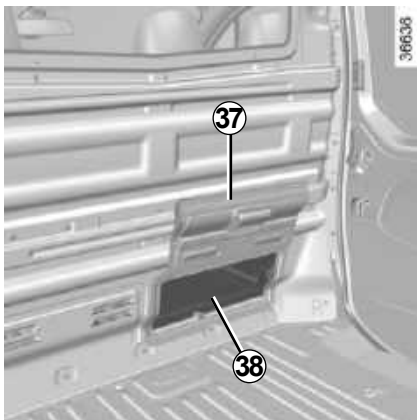
Reserved for the transport of objects only.

The total weight of the rear load area storage compartment must not exceed 35 kg, evenly distributed.



Do not hang any heavy and/or sharp objects which may fall while you are driving. Risk of injury.

## PASSENGER COMPARTMENT STORAGE, FITTINGS (9/9)



### Recess 38 and flap 40

Depending on the length of the objects being transported in the rear load area, you can use the recess 38.

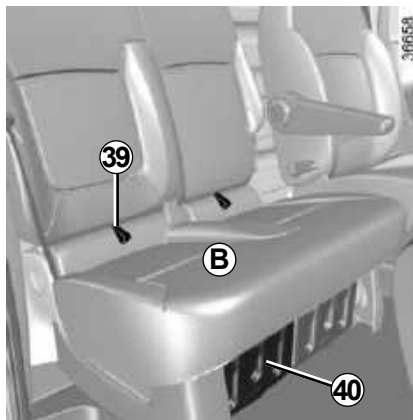
Open the flap 37, held in place by magnets.



Nothing should be placed on the floor (area in front of driver) as such objects may slide under the pedal during braking manoeuvres, thus obstructing its use.

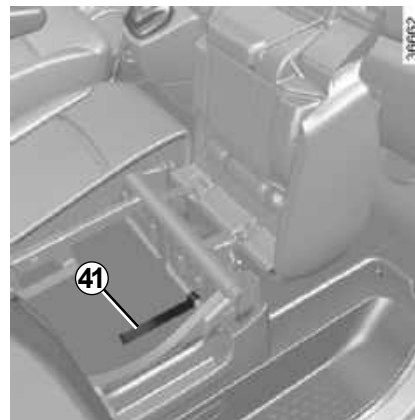


When the flap 40 is open, use of the front side passenger seat is prohibited. Risk of serious injury when braking sharply or in an impact.



Use the flap 40 to extend the load length:

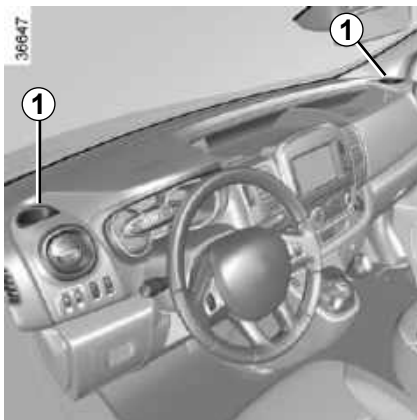
- pull the tab 39 to raise the seat B;
- move the flap 40 towards the interior of the seat by pulling the tab 41.



Ensure that no hard, heavy or pointed objects are placed in the “open” storage compartments in such a way that they may fall onto passengers during sudden turning, braking or in the event of an accident.



## ASHTRAY, ACCESSORIES SOCKET (1/2)



### Ashtray

It can be housed in either position **1** or **2**.



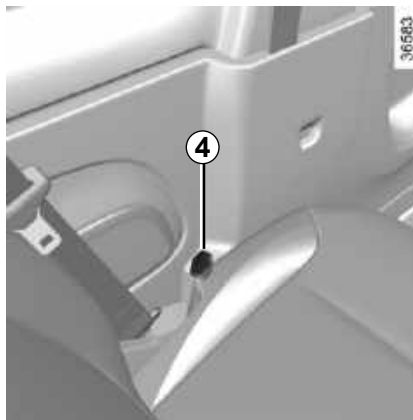
If your vehicle is not fitted with a cigar lighter and an ashtray, these can be obtained from an approved Dealer.

## ASHTRAY, ACCESSORIES SOCKET (2/2)

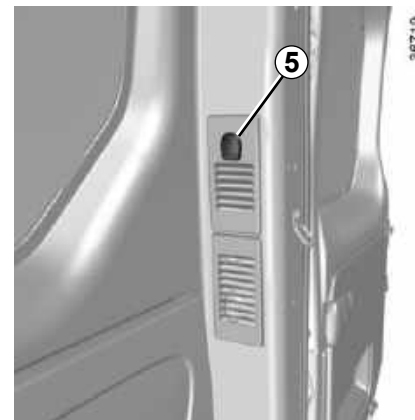


### Accessories socket

The **3** socket and, depending on the vehicle, sockets **4** and **5** are designed for connecting accessories which have been approved by our Technical Department. Their power level should not exceed 120 Watts (12V).



Before leaving the vehicle, ensure that you **always disconnect all devices** from the accessories sockets to avoid possible malfunctions (discharged battery, locking the opening elements not possible etc.).

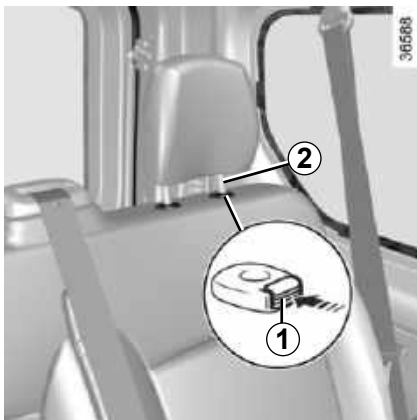


Connect accessories with a maximum power of 120 watts (12 V) only.

When several accessory sockets are used at the same time, the total power of the connected accessories must not exceed 180 watts.

**Fire hazard.**

## REAR HEAD RESTS



### To raise the headrest

Press button **1** and lift the headrest to release it (tilt the seatback if necessary).



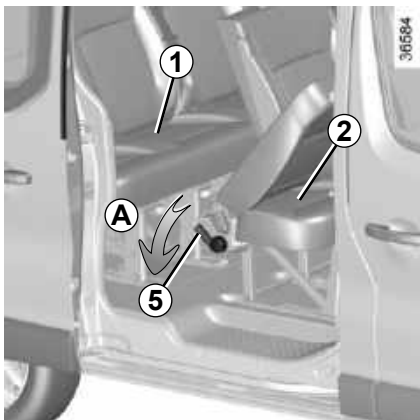
The headrest is a safety component, check that it is fitted and in the correct position.



### To refit the headrest

Insert the headrest rods into the holes (tilt the seatback if necessary). Lower the headrest as far as it will go, then lift until it locks into place. Check that each rod **2** on the seatback is securely locked.

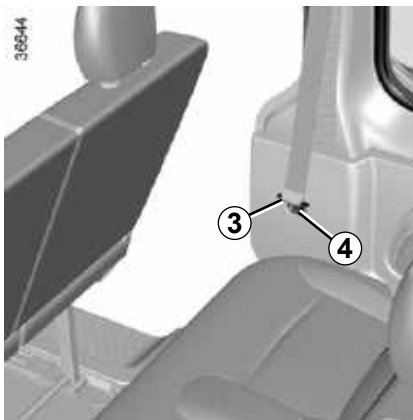
## REAR BENCH SEATS: functions (1/4)



Depending on the vehicle, there may be two rear bench seats: bench seat 2 (2nd row of seats) and bench seat 1 (3rd row of seats).



For safety reasons, carry out any adjustments when the vehicle is not being driven.



### Bench seat 2

Insert the buckles 3 into the housings 4 before moving the seatback(s).

To assist with access to the last row (bench seat 1), move control 5 downwards (movement A) to tilt the bench seat back 2.

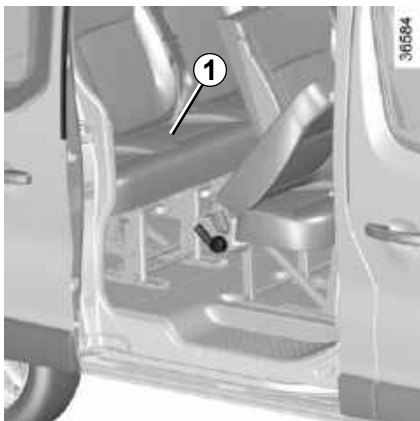
Remember to lock the seat belt in place once more when a passenger is occupying the seat.



Ensure that the bench seats are locked in place correctly when refitting them.

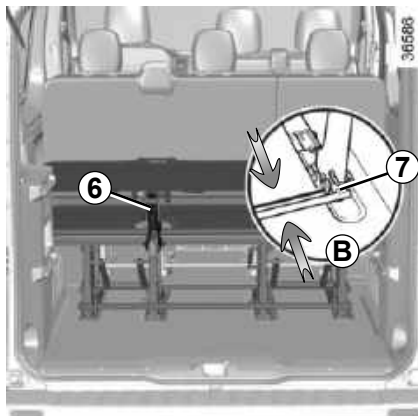
Check that the side seat belts are locked in their unit correctly.

## REAR BENCH SEATS: functions (2/4)



### Bench seat 1

This can be folded away and folded down.

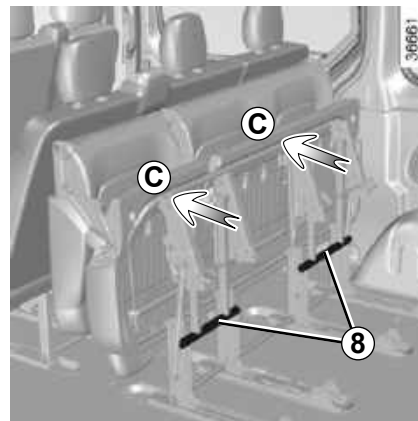


### To fold it down

- Pull seat back unlocking strap **6**;
- fold down the seatback onto the seat base.



When moving the rear bench seat, check that the bench seat anchorage points are clean (they should be free from grit, cloths or any other item which may prevent the bench seat from locking securely).

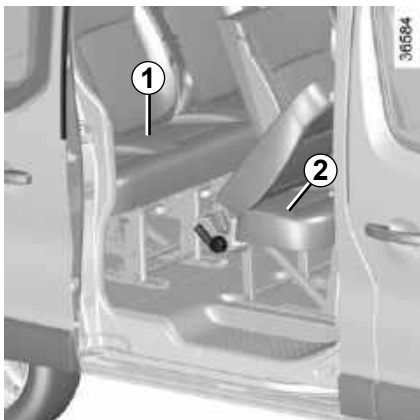


### To fold down

(depending on the vehicle)

- Hold the bars **7** and bring them together simultaneously (movement **B**);
- tilt the seat unit forwards until it locks;
- press on the top of the seat (at **C**) and lock the seat in position by pushing the locking levers **8**;
- ensure it is correctly locked in place.

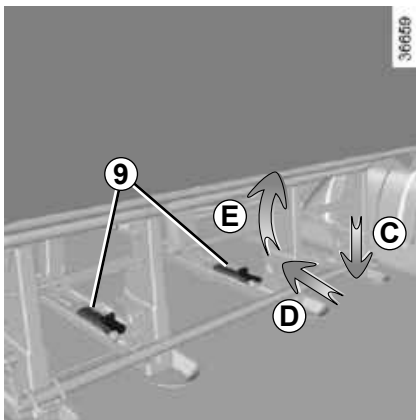
## REAR BENCH SEATS: functions (3/4)



### Removal/refitting of bench seat 1 and 2

(depending on the vehicle)

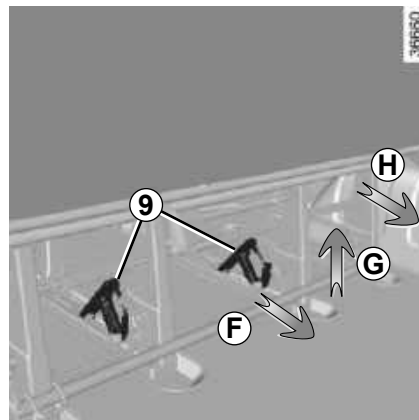
These are removed and refitted in the same way.



### Removal

First, release the side seat belts by unlocking them from their unit.

- Underneath the bench seat, press on the latch **9**, then pull it forwards (movements **C** and **D**);
- lift (movement **E**);



- move the bench seat towards the rear of the vehicle to release the anchorage points (movement **F**);
- lift the bench seat (movement **G**);
- move the bench seat towards the rear again (movement **H**) to release the front anchorage points;
- remove the bench seat from the front of the vehicle.



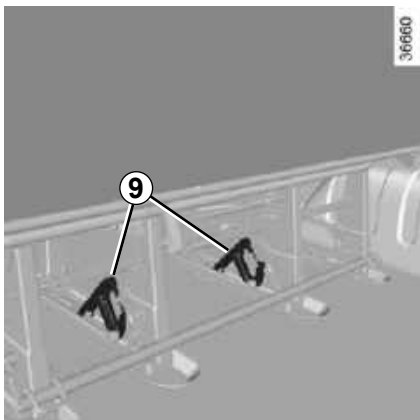
It is not permitted to swap bench seats **1** and **2**



For safety reasons, carry out any adjustments when the vehicle is not being driven.

Remove bench seat **2** before removing bench seat **1**.

## REAR BENCH SEATS: functions (4/4)



### Refitting

- position the bench seat over the front anchorage points;
- push the bench seat until it sits over the rear anchorage points;
- Lower latches **9** and push them until they lock in place;
- make sure the visual markers on latches **9** are properly aligned.



Ensure that the bench seats are locked in place correctly when refitting them.

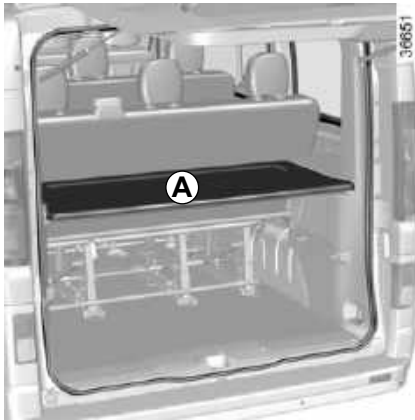
Check that the side seat belts are locked in their unit correctly.



The rear bench seats must be placed on their original anchorage points.

Driving with the bench seat in a rear-facing position is prohibited.

## LUGGAGE COVER

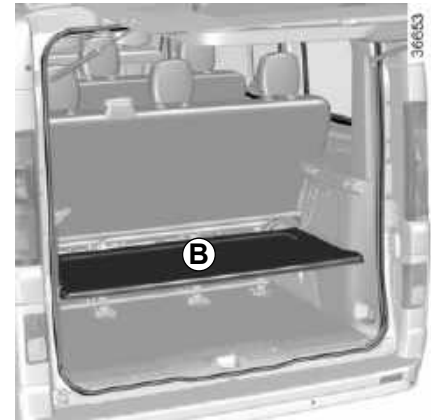
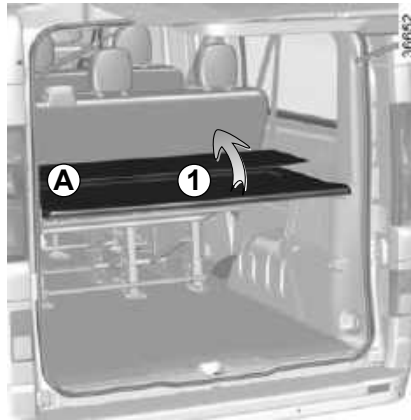


The luggage cover is made up of one or two rigid sections.

There are two possible positions:

- top position **A**;
- the lower position **B**.

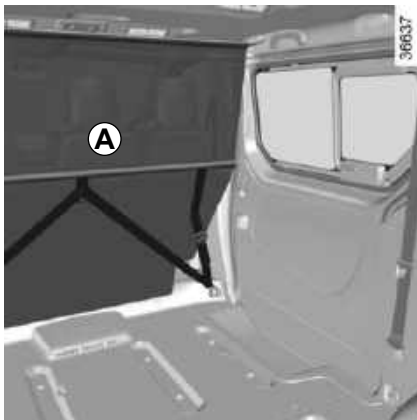
Depending on the vehicle, you can lift the section **1** to a vertical position to make loading easier.



Do not place any objects, especially heavy or solid objects on the luggage cover. These may pose a risk to the vehicle occupants if the driver has to brake suddenly or if the vehicle is involved in an accident.



# LUGGAGE NET (1/2)



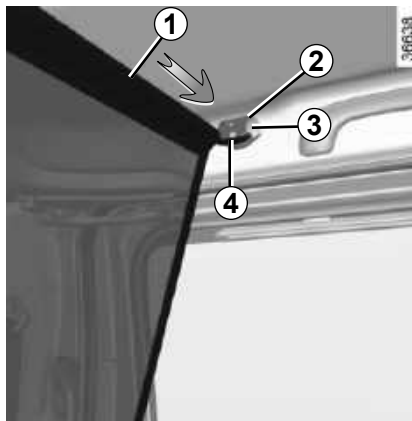
On equipped vehicles, the luggage net **A** can be used, when transporting animals or luggage, to separate them from the passenger section.

It can be positioned:

- behind the front seats;
- behind a rear bench seat.



Make sure that the rod end **1** is supported by the metal part and not the plastic part of the cover.

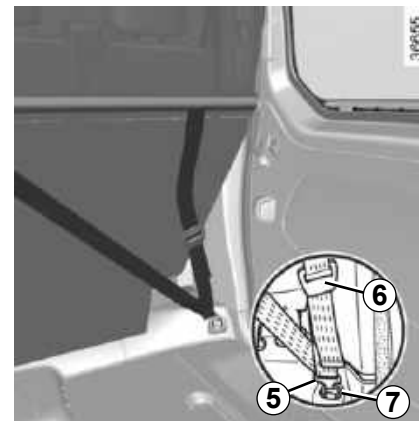


## Fitting the luggage net behind the front seats

Inside the vehicle on each side:

### Upper mounting:

- lift and hold the cover **2**, using a flat-blade screwdriver, to access the mounting hole,
- fully insert the top rod **1** of the net into the largest section **3** of the hole,
- slide the rod into the lower section **4** of the hole.



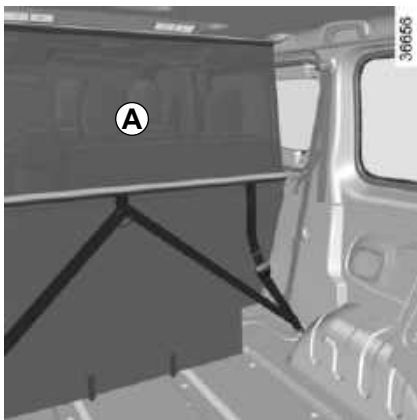
### Lower mounting:

- attach hook **5** of the luggage strap onto ring **7** at the base of the bench seat,
- adjust the net strap so that it is taut.

### Removal

Loosen the strap by lifting adjustment device **6** upwards. Detach the belts.

## LUGGAGE NET (2/2)

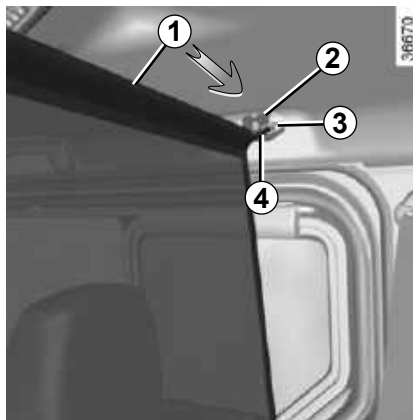


### Fitting the luggage net A behind the rear seats

Inside the vehicle on each side:

#### Upper mounting:

- lift and hold the cover **2**, using a flat-blade screwdriver, to access the mounting hole;
- fully insert the top rod **1** of the net into the largest section **3** of the hole;
- slide the rod into the lower section **4** of the hole.



#### Lower mounting:

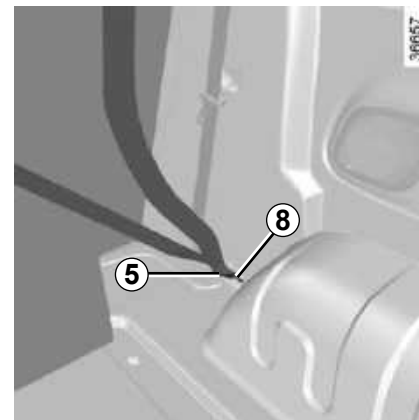
- fix the net belt hook **5** onto the ring **8**;
- adjust the net strap so that it is taut.

#### Removal

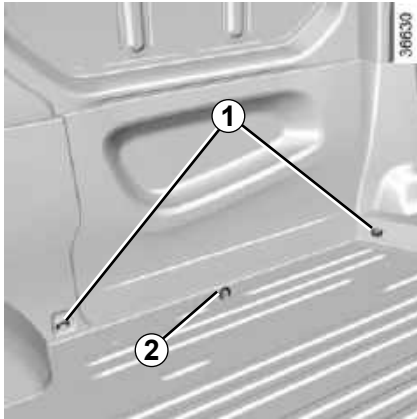
Loosen the strap. Detach the belts.



Make sure that the rod end **1** is supported by the metal part and not the plastic part of the cover.



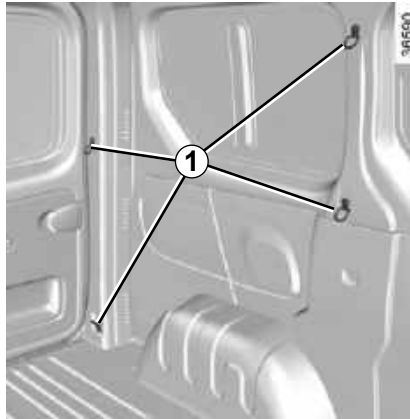
## TRANSPORTING OBJECTS (1/2)



### Transporting objects in the rear load area

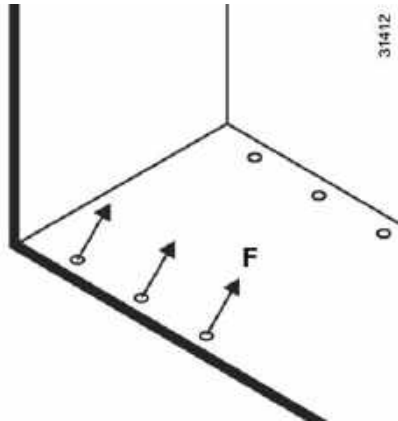
Depending on the vehicle, securing rings **1** and **2** can be used to stop transported objects from moving. The number of rings and their position may vary depending on the vehicle.

The sole purpose of these rings **1** is to prevent transported objects from moving. The objects must be secured to the mounting rings **2** on the vehicle floor beforehand.



Always position the heaviest items directly on the floor. Use the lashing points on the luggage compartment floor, if these are fitted to the vehicle. The load should be loaded in such a way that no items will be thrown forward and strike the occupants if the driver has to brake suddenly or while driving on a steep gradient. Fasten the rear seat belts, even if the seats are not occupied.

## TRANSPORTING OBJECTS (2/2)



### Special note for van version

F max: 500 daN

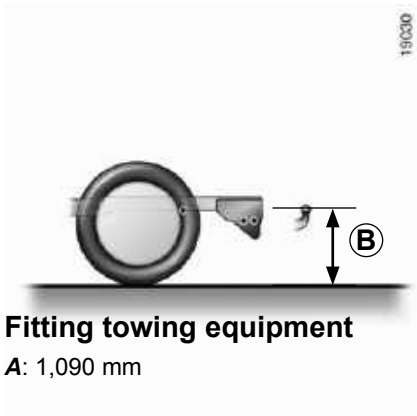
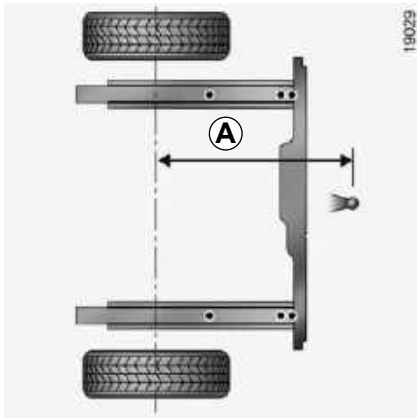


For your safety, check that all the vehicle's doors are properly closed before starting the engine.



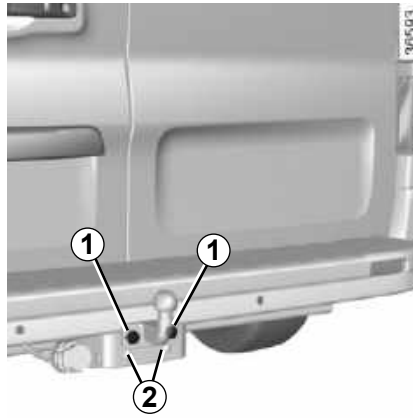
While driving with the right rear hinged door open, always secure transported loads. The left-hand door, which remains shut, should not be used to hold transported loads in place. Using the right rear hinged door open while driving should only be done in exceptional cases. In any event, please refer to local legislation. Risk of loads falling on the road surface.

## TRANSPORTING OBJECTS towbar



### Fitting towing equipment

A: 1,090 mm



### Fitting the towbar coupling ball

Position the ball within the range of bolts **1** or **2**, to respect the height **B**, which must be between 350 and 420 mm, with the vehicle laden (use the illustration example below).

To assemble the towbar ball, please consult the equipment assembly instructions.

If the towbar ball obscures the registration plate or the rear fog lights, it should be removed when not in use.

In all cases, comply with local legislation.

**Permissible nose weight, maximum permissible towing weight, braked and unbraked:** refer to the information on “Weights” in Section 6.

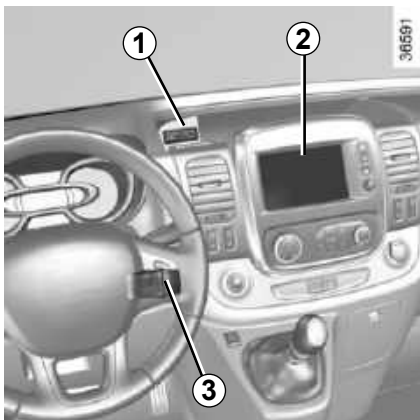
### Choice and fitting of towing equipment

Maximum weight of towing equipment: 22 kg

To assemble the towbar ball, please consult the equipment assembly instructions.

Please keep these instructions with the rest of the vehicle documentation.

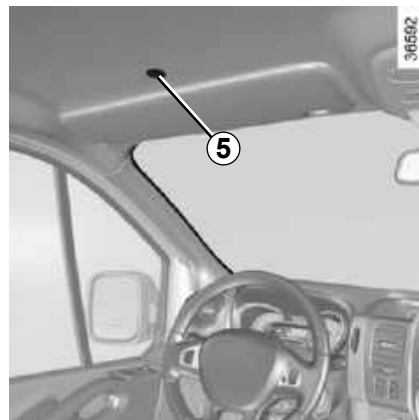
## MULTIMEDIA EQUIPMENT



The presence and location of this equipment depends on the vehicle's multimedia equipment.

- 1 Multimedia sockets;
- 2 multimedia touchscreen;
- 3 steering column control;
- 4 Voice command;
- 5 microphone.

To operate this equipment: please refer to the driver's handbook.



### Using the telephone

We remind you of the need to conform to the legislation in force concerning the use of such equipment.

# Section 4: Maintenance


Bonnet . . . . .	4.2
Engine oil level: general information . . . . .	4.4
Engine oil level: topping up/filling . . . . .	4.5
Oil change . . . . .	4.6
Levels . . . . .	4.7
engine coolant . . . . .	4.7
brake fluid. . . . .	4.8
windscreen washer reservoir . . . . .	4.9
Filters. . . . .	4.9
Tyre pressure. . . . .	4.10
Battery . . . . .	4.12
Bodywork maintenance . . . . .	4.14
Interior trim maintenance. . . . .	4.17

## BONNET (1/2)



Before performing any action in the engine compartment, the ignition must be switched off (please see the information on “Starting, stopping the engine” in Section 2).



Please note when working close to the engine that it may be hot. In addition, the engine cooling fan may start at any moment. The  warning light in the engine compartment reminds you of this.

**Risk of injury.**



When working in the engine compartment, ensure that the windscreen wiper stalk is in the park position.

**Risk of injury.**



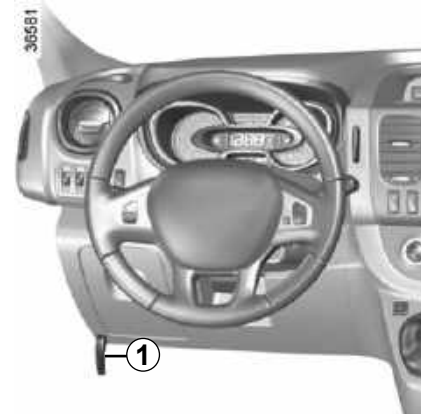
Do not press down on the bonnet: there is a risk that the bonnet may accidentally close.



In the event of even a slight impact involving the radiator grille or bonnet, have the bonnet lock checked by an approved dealer as soon as possible.



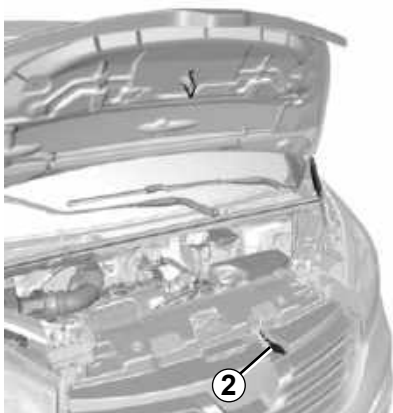
After any procedure in the engine compartment, make sure that you do not forget anything (cloth, tools, etc.). These may damage the engine or cause a fire.



To open the bonnet, pull the handle **1**.



## BONNET (2/2)



### Unlocking the bonnet catch

To unlock, push the tab **2** to the left as you open the bonnet.

### Opening the bonnet

Lift the bonnet, helping it up, and it will rest in position with the help of struts.

### Closing the bonnet

Check that nothing has been left in the engine compartment.

To close the bonnet again, hold the bonnet in the middle and lower it to 30 cm above the closed position, then release it. It will latch automatically under its own weight.



Ensure that the bonnet is properly locked. Check that nothing is preventing the catch from locking (gravel, cloth, etc.).

## ENGINE OIL LEVEL: general information

It is normal for an engine to use oil for lubrication and cooling of moving parts and it is normal to top up the level between oil changes.

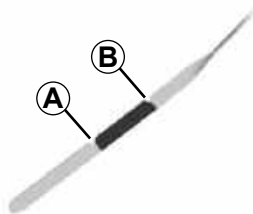
However, contact your approved Dealer if more than 0.5 litres is being consumed every 600 miles (1,000 km) after the running in period.

**Oil change frequency: check the oil level from time to time and certainly before any long journey to avoid the risk of damaging your engine.**



Before performing any action in the engine compartment, the ignition must be switched off (please see the information on “Starting, stopping the engine” in Section 2).

209990



### Exceeding the maximum engine oil level

Under no circumstances should maximum filling level **B** be exceeded: this could damage the engine and the catalytic converter.

If the level exceeds the maximum level, **do not start your vehicle** and contact an authorised dealer.

## Reading the oil level

The oil level should be read with the vehicle on level ground, after the engine has been switched off for some time.

**The dipstick must be used to read the exact oil level and make sure that the maximum level has not been exceeded (risk of engine damage).**

The instrument panel display only alerts the driver when the oil level is at its minimum.

- remove the dipstick and wipe with a clean, lint-free cloth;
- push the dipstick in as far as it will go;
- take out the dipstick again;
- read the level: it should never fall below minimum mark **A** or exceed maximum mark **B**.

Once the level has been read, push the dipstick in as far as it will go.


In order to prevent splashback, it is recommended that a funnel be used when topping up/filling with oil.

## ENGINE OIL LEVEL: topping up/filling (1/2)



Before performing any action in the engine compartment, the ignition must be switched off (please see the information on “Starting, stopping the engine” in Section 2).



Please note when working close to the engine that it may be hot. In addition, the engine cooling fan may start at any moment. The  warning light in the engine compartment reminds you of this.

**Risk of injury.**



**Filling:** take care when topping up the oil that no oil drips onto engine components - risk of fire. Remember to refit the cap securely as there is a risk of fire if oil splashes onto hot engine components.



**Engine oil change:** if you are changing the oil when the engine is hot, be careful not to scald yourself if the oil overflows.



Never run the engine in an enclosed space as exhaust gases are poisonous.



When working in the engine compartment, ensure that the windscreen wiper stalk is in the park position.

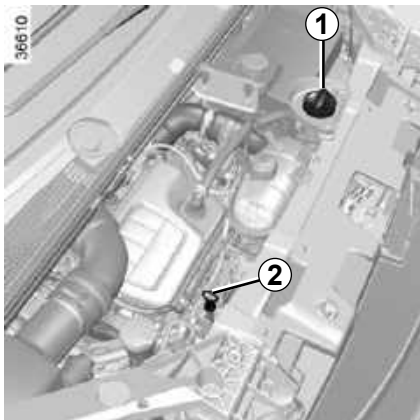
**Risk of injury.**



**Exceeding the maximum engine oil level**

Under no circumstances must the maximum fill level be exceeded: risk of damage to the engine and catalytic converter. If the oil level exceeds the maximum level, **do not start your vehicle** and contact an approved Dealer.

## ENGINE OIL LEVEL: topping up, filling (2/2) OIL CHANGE



### Topping up/filling

The vehicle must be parked on level ground and the engine should be cold (for instance, before the engine is started up for the first time in the day).

- Unscrew cap **1**;
- top up the level (as a guide, the capacity between the minimum and maximum reading on the dipstick **2** is between 1.5 and 2 litres, depending on the engine);
- wait for approximately 10 minutes to allow the oil to flow into the engine;
- check the level using the dipstick **2** (as described above).

Once the operation has been completed, ensure that the dipstick is pushed in as far as it will go and that the cap is completely screwed in.

In order to prevent splashback, it is recommended that a funnel be used when topping up/filling with oil.

Do not exceed the **max** level and do not forget to refit cap **1** and dipstick **2**.

### Oil change

**Service interval:** refer to the Maintenance Service Booklet for your vehicle.

### Oil change capacity

Please refer to the maintenance document for your vehicle, or contact an authorised dealer.

Always check the engine oil level using the dipstick, as explained previously (it should never fall below the minimum level, or be over the maximum level on the dipstick).

### Engine oil grade

Refer to the Maintenance Service Booklet for your vehicle.

Consult your approved dealer at once if you notice an abnormal or repeated drop in any of the fluid levels.


## LEVELS (1/3)



Before performing any action in the engine compartment, the ignition must be switched off (please see the information on “Starting, stopping the engine” in Section 2).



Please note when working close to the engine that it may be hot. In addition, the engine cooling fan may

start at any moment. The  label in the engine compartment reminds you of this.

**Risk of injury.**



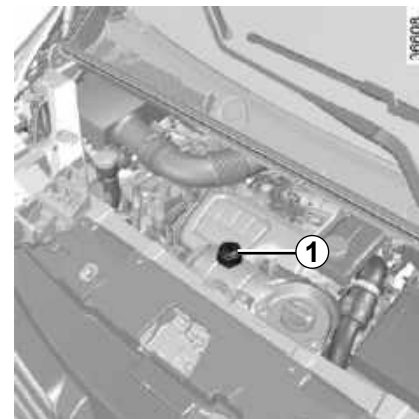
When working in the engine compartment, ensure that the windscreen wiper stalk is in the park position.

**Risk of injury.**



No operations should be carried out on the cooling circuit when the engine is hot.

**Risk of burns.**



### Coolant

With the engine switched off and on level ground, the level **when cold** must be between the “MINI” and “MAXI” marks on coolant reservoir **1**.

Top this level up **when cold** before it reaches the MINI mark.

Consult your approved dealer at once if you notice an abnormal or repeated drop in any of the fluid levels.

## LEVELS (2/3)

### Frequency of checking coolant level

**Check the coolant level regularly** (very severe damage is likely to be caused to the engine if it runs out of coolant).

If the level needs to be topped up, only use products approved by our Technical Department which ensure:

- protection against freezing;
- an anti-corrosion protection for the cooling system.

### Replacement interval

Refer to the Maintenance Document for your vehicle.



### Brake fluid

The level should be read with the engine switched off and on level ground.

This should be checked frequently, and immediately if you notice even the slightest loss in braking efficiency.

### Level 2

It is normal for the level to drop as the brake shoes become worn, but it must never drop lower than the "MINI" warning line.

If you wish to check the disc and drum wear yourself, you should obtain the document explaining the checking procedure from the manufacturer's network or website.

### Topping up

After any operation on the hydraulic circuit, a specialist must replace the brake fluid.

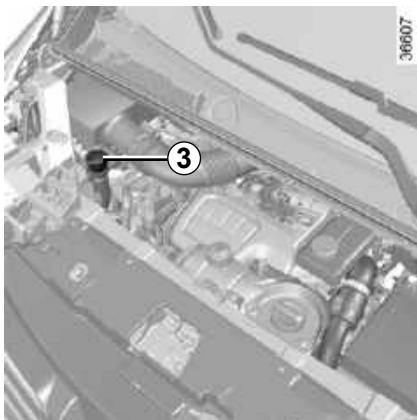
Only use fluids approved by our Technical Department (and taken from a sealed container).

### Replacement interval

Refer to the Maintenance Document for your vehicle.

Consult your approved dealer at once if you notice an abnormal or repeated drop in any of the fluid levels.

## LEVELS (3/3)/FILTERS



### Windscreen washer reservoir

#### Topping up

With the engine switched off, open the cap **3**. Fill until you can see the fluid, then refit the cap.

#### Liquid

Screen wash product (product with antifreeze in winter).

### Filters

The replacement of filter components (air filter, cabin filter, diesel filter, etc.) is scheduled in the maintenance operations for your vehicle.

**Replacement intervals for filter elements:** refer to the Maintenance Document for your vehicle.

## TYRE PRESSURE (1/2)

36615




### Label A

Open the driver's door to read it.

Tyre pressures should be checked when the tyres are cold.

If the tyre pressures cannot be checked when the tyres are **cold**, increase the pressures from **0.2 to 0.3 bar (or 3 PSI)**. **Never deflate a hot tyre.**

### Vehicle fitted with a tyre pressure loss warning system

In the event of underinflation (punctures, underinflation etc.), the  warning light on the instrument panel comes on. Please refer to the information on the "Tyre pressure loss warning" in Section 2.



For your safety, please respect the speed limit.

When they need to be replaced, only tyres of the same make, size, type and profile should be used on a single axle.

**They must: either have a load capacity and speed rating at least equal to those of the original tyres, or conform to those recommended by an authorised dealer.**

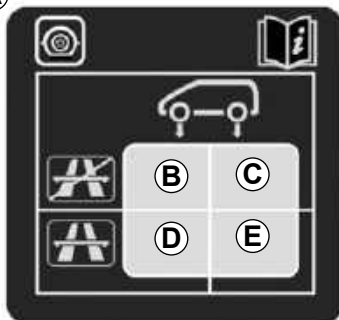
Failure to heed these instructions could endanger your safety and affect your vehicle's roadworthiness.

**Risk of loss of control of the vehicle.**



## TYRE PRESSURE (2/2)

A



- B:** front tyre pressure when driving (non-motorway), or if less than 4 people occupy the vehicle.
- C:** rear tyre pressure when driving (non-motorway), or if less than 4 people occupy the vehicle.
- D:** tyre pressures for the front wheels (motorway) or when driving with a significant load.

**E:** tyre pressures for the rear wheels (motorway) or when driving with a significant load.

**Tyre safety and the use of chains:** please refer to the information on “Tyres” in Section 5 for servicing conditions and, depending on the version, the use of chains.



### **Vehicle used fully laden (Maximum Permissible All-up Weight) and towing a trailer**

The maximum speed must be limited to **60 mph (100 km/h)** and the tyre pressure increased by **0.2 bar**.

Refer to the information on “Weights” in Section 6.

**Risk of tyre blowouts.**

## BATTERY (1/2)



Before performing any action in the engine compartment, the ignition must be switched off (please see the information on “Starting, stopping the engine” in Section 2).



The battery is a **specific type**, please ensure it is replaced with the same type. Consult an approved dealer.



Please note when working close to the engine that it may be hot. In addition, the engine cooling fan may



start at any moment. The warning light in the engine compartment reminds you of this.

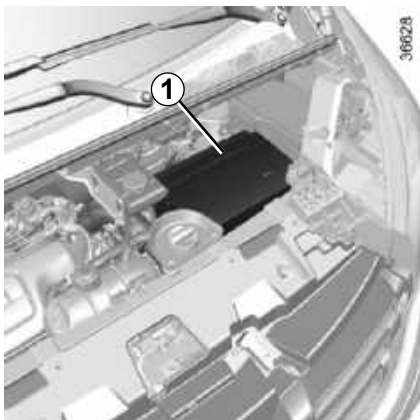
**Risk of injury.**



Handle the battery with care as it contains sulphuric acid, which must not come into contact with eyes or skin. If it does, wash the affected area with plenty of cold water. If necessary, consult a doctor.

Ensure that naked flames, red hot objects and sparks do not come into contact with the battery as there is a risk of explosion.

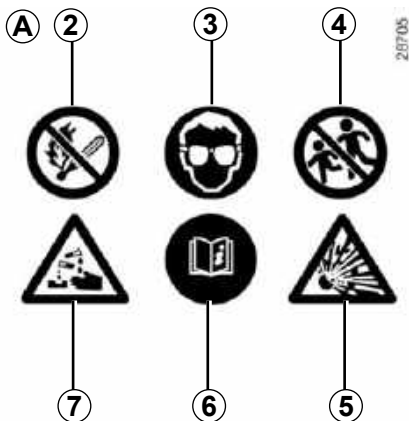
## BATTERY (2/2)



This is located under cover **1** and does not need to be serviced. **You should not open it or add any fluid.**

### Replacing the battery

As this operation is complex, we advise you to contact an approved Dealer.



#### Label A

Observe the indications on the battery:

- **2** naked flames and smoking are forbidden;
- **3** eye protection required;
- **4** keep away from children;
- **5** explosive materials;
- **6** refer to the handbook;
- **7** corrosive materials.

## BODYWORK MAINTENANCE (1/3)

A well-maintained vehicle will last longer. It is therefore recommended to maintain the exterior of the vehicle regularly.

Your vehicle has been treated with very effective anti-corrosion products. It is nevertheless subject to various outside influences.

### Corrosive agents in the atmosphere

- atmospheric pollution (built-up and industrial areas);
- saline atmospheres (near the sea, particularly in hot weather);
- seasonal and damp weather conditions (e.g. road salt in winter, water from road cleaners, etc.).

### Minor impacts

#### Abrasive action

Dust and sand in the air, mud, road grit thrown up by other vehicles, etc.

You should take a number of minor precautions in order to safeguard your vehicle against such risks.

### You should

Wash your car frequently, **with the engine off**, with cleaning products recommended by the manufacturer (never use abrasive products). Rinse thoroughly beforehand with a jet:

- spots of tree resin and industrial grime;
  - mud in the wheel arches and underneath the body which forms damp patches;
  - **bird droppings**, which cause a chemical reaction with the paint that **rapidly discolours paintwork and may even cause the paint to peel off**;
- wash the vehicle **immediately** to remove these marks since it is impossible to remove them by polishing;
- salt, particularly in the wheel arches and underneath the body after driving in areas where the roads have been gritted.

Remove any plant matter (resin, leaves, etc.) from the vehicle regularly.

Respect local regulations about washing vehicles (e.g. do not wash your vehicle on a public highway).

Observe the vehicle stopping distances when driving on gravelled surfaces to prevent paint damage.

Repair, or have repaired quickly, areas where the paint has been damaged, to prevent corrosion spreading.

Remember to visit the body shop periodically in order to maintain your anti-corrosion warranty. Refer to the Maintenance Document.

If it is necessary to clean mechanical components, hinges, etc., spray them with products approved by our Technical Department to protect them after they have been cleaned.

We have selected special products to care for your vehicle and you can obtain these from the manufacturer's accessory outlets.

## BODYWORK MAINTENANCE (2/3)

### What you should not do

Wash the vehicle in bright sunlight or freezing temperatures.

Do not scrape off mud or dirt without pre-wetting.

Allow dirt to accumulate on the exterior.

Allow rust to form following minor impacts.

Do not use solvents not approved by our Technical Department to remove stains as this could damage the paintwork.

Do not drive in snow or muddy conditions without washing the vehicle, particularly under the wheel arches and body.



Degrease or clean using high-pressure cleaning equipment or by spraying on products not approved by our Technical Department:

- mechanical components (e.g.: engine compartment);
- underbody;
- parts with hinges (e.g.: inside the doors);
- painted plastic external fittings (e.g.: bumpers).

Doing this could give rise to corrosion or operational faults.

## BODYWORK MAINTENANCE (3/3)

### Vehicles with a matte paint finish

This type of paint requires certain precautions.

#### You should do the following

Wash the vehicle by hand using plenty of water, using a soft cloth or a gentle sponge.

#### Do not do the following

Use wax-based products (polishing).

Rub too hard.

Wash the vehicle in a roller-type car wash.

Attach stickers to the paintwork (risk of leaving marks).



Wash the vehicle using a high-pressure cleaning device.

### Using a roller type car wash

Return the windscreen wiper stalk to the Park position (refer to the information on the “Windscreen washer, wiper” in Section 1). Check the mounting of external accessories, additional lights and mirrors, and ensure that the wiper blades are secured with adhesive tape.

Remove the radio aerial mast if your vehicle is fitted with this equipment.

Remember to remove the tape and refit the antenna after washing.

### Cleaning the headlights

As the headlights are made of plastic “glass”, use a soft cloth or cotton wool to clean them. If this does not clean them properly, moisten the cloth with soapy water, then wipe clean with a soft damp cloth or cotton wool. Finally, carefully dry off with a soft dry cloth.

**Do not use cleaning products containing alcohol or utensils (e.g.: a scraper).**

## INTERIOR TRIM MAINTENANCE (1/2)

A well-maintained vehicle will last longer. It is therefore recommended to maintain the interior of the vehicle regularly.

A stain should always be dealt with swiftly.

Whatever type of stain is on the trim, use **cold** (or warm) **soapy water with natural soap**.

**Detergents (washing-up liquid, powdered products, alcohol-based products) should not be used.**

Use a soft cloth.

Rinse and soak up the excess.

### Glass instrument panel

(e.g. instrument panel, clock, exterior temperature display, radio display, etc.)

Use a soft cloth (or cotton wool).

If this does not clean them properly, use a soft cloth (or cotton wool) slightly moistened with soapy water and then wipe clean with another soft damp cloth or cotton wool.

Finally, **carefully** dry off with a soft dry cloth.

**Do not use products containing alcohol and/or spray fluids on the area.**

### Seat belts

These must be kept clean.

Use products selected by our Technical Department (Approved outlets) or warm, soapy water and a sponge and wipe with a dry cloth.

**Detergents or dyes must not be used under any circumstances.**

### Textiles (seats, door trim, etc)

Vacuum-clean the textiles **regularly**.

#### Liquid stain

Use soapy water.

Dab lightly (never rub) with a soft cloth, rinse and remove the excess.

#### Solid or pasty stain

Carefully remove the excess solid or pasty material **immediately** with a spatula (working from the edges to the centre to avoid spreading the stain).

Clean as for a liquid stain.

#### Special instructions for sweets or chewing gum

Put an ice cube on the stain to solidify it, then proceed as for a solid stain.

For further recommendations for maintaining the interior, and/or for any unsatisfactory results, please see an authorised dealer.

## INTERIOR TRIM MAINTENANCE (2/2)

### Removal/replacing removable equipment originally fitted in the vehicle

If you need to remove equipment in order to clean the passenger compartment (for example, mats), always ensure that they are correctly refitted and are the right way around (the driver's mat should be fitted on the driver's side, etc.) and fit them with the components supplied with the equipment (for example, the driver mat should always be fixed using the pre-fitted mounting components).

With the vehicle stationary, always ensure that nothing will impede driving (anything obstructing the pedals, heel wedged by the mat etc.).

### You should not:

Position objects such as deodorants, scents etc. near air vents as this could damage your dashboard trim.



Use high-pressure cleaning equipment or sprays inside the passenger compartment:

without careful use, this equipment could impair the correct functioning of the electrical or electronic components in the vehicle, or have other detrimental effects.



# Section 5: Practical advice

Puncture, emergency spare wheel . . . . .	5.2
Tyre inflation kit . . . . .	5.4
Tools . . . . .	5.7
Wheel trims . . . . .	5.8
Changing a wheel . . . . .	5.9
Tyres (tyre and wheel safety, use in winter) . . . . .	5.11
Headlights (changing bulbs) . . . . .	5.14
Side lights . . . . .	5.16
Rear lights (changing bulbs) . . . . .	5.17
Indicator lights (changing bulbs) . . . . .	5.20
Interior lighting (changing bulbs) . . . . .	5.21
Key, radio frequency remote control: battery . . . . .	5.23
RENAULT card: battery . . . . .	5.24
Battery . . . . .	5.25
Fuses . . . . .	5.27
Accessories . . . . .	5.30
Wipers (replacing blades) . . . . .	5.31
Towing . . . . .	5.33
Fitting a radio . . . . .	5.35
Operating faults . . . . .	5.36

## PUNCTURE, EMERGENCY SPARE WHEEL (1/2)

### In case of puncture

Depending on the vehicle, a tyre inflation kit or emergency spare wheel is provided (refer to the following pages).



If the vehicle is parked on the hard shoulder, you must warn other road users of your vehicle's presence with a warning triangle or with other devices as per the legislation applying to the country you are in.

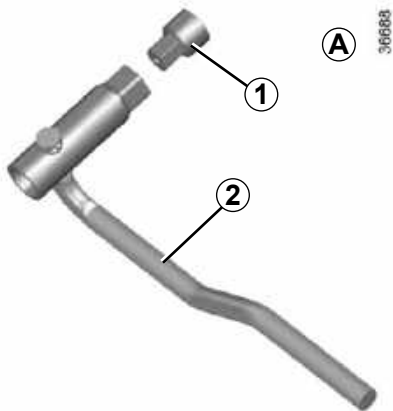


If the emergency spare wheel has been stored for several years, have it checked by your Dealer to ensure that it is safe to use.

#### **Vehicle fitted with an emergency spare wheel that differs from the other wheels:**

- Never fit more than one emergency spare wheel to the same vehicle.
- As the punctured wheel is wider than the emergency spare wheel, the vehicle's ground clearance is reduced.
- Replace the emergency spare wheel as soon as possible with a wheel identical to the original one.
- When this is fitted to the vehicle, which must only be a temporary measure, the driving speed must not exceed the speed indicated on the label on the wheel.
- Fitting an emergency spare wheel may alter the way the vehicle usually runs. Avoid sudden acceleration or deceleration and reduce your speed when cornering.
- If you need to use snow chains, fit the emergency spare wheel to the rear axle and check the tyre pressure.

## PUNCTURE, EMERGENCY SPARE WHEEL (2/2)

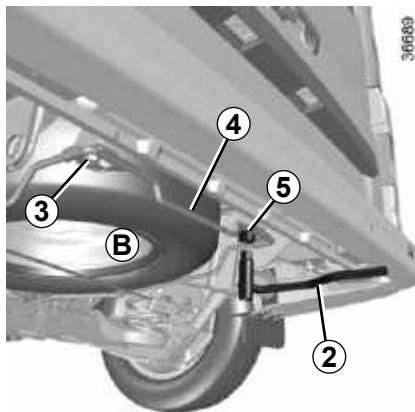


### Emergency spare wheel

On equipped vehicles, **use tool A**, comprising:

- wheelbrace **2**;
- for some versions, special end piece **1** (which must be added).

These components are stored in the tool kit.



### To take out emergency spare wheel **B**

Using the tool **A**, completely unscrew the nut **5** (right-hand side) and partially unscrew the nut **3** (left-hand side) until the notch of the wheel carrier **4** is released from the nut **3**.

Move it up and down and from side to side to release the emergency spare wheel.

Depending on the vehicle, a note in the tool kit covers these instructions.

### To refit emergency spare wheel **B**

Proceed in reverse order. Check that wheel carrier **4** is correctly positioned before tightening nuts **3** and **5**.

In some cases (rear puncture, vehicle loaded with towing equipment etc.), it is necessary to raise the vehicle (using the lifting point nearest the wheel concerned) to permit access to the emergency spare wheel.



Do not touch the exhaust system.

**Risk of burns.**

## TYRE PRESSURE KIT (1/3)

3.2708



The kit repairs tyres when tread **A** has been damaged by objects smaller than 4 mm. It cannot repair all types of puncture, such as cuts larger than 4 mm, or cuts in tyre sidewall **B**.

Ensure also that the wheel rim is in good condition.

Do not pull out the foreign body causing the puncture if it is still in the tyre.



Do not attempt to use the inflation kit if the tyre has been damaged as a result of driving with a puncture.

You should therefore carefully check the condition of the tyre sidewalls before any operation.

Driving with underinflated, flat or punctured tyres can be dangerous and may make the tyre impossible to repair.

### **This repair is temporary.**

A tyre which has been punctured should always be inspected (and repaired, where possible) as soon as possible by a specialist.

When taking a tyre which has been repaired using this kit to be replaced, you must inform the specialist.

When driving, vibration may be felt due to the presence of the repair product injected into the tyre.



The kit is only approved for inflating the tyres of the vehicle originally equipped with the kit.

It must never be used to inflate the tyres of another vehicle, or any other inflatable object (rubber ring, rubber boat, etc.).

Avoid spillage on skin when handling the repair product bottle. If droplets do leak out, rinse them off with plenty of water.

Keep the repair kit away from children.

Do not dispose of the empty bottle in the countryside. Return it to your approved dealer or to a recycling organisation.

The bottle has a limited service life which is indicated on its label. Check the expiry date.

Contact an approved dealer to replace the inflation tube and repair product bottle.

## TYRE PRESSURE KIT (2/3)



Before using this kit, park the vehicle at a sufficient distance from traffic, switch on the hazard warning lights, apply the handbrake, ask all passengers to leave the vehicle and keep them away from traffic.



If the vehicle is parked on the hard shoulder, you must warn other road users of your vehicle's presence with a warning triangle or with other devices as per the legislation applying to the country you are in.



Nothing should be placed around the driver's feet as such objects may slide under the pedals during sudden braking manoeuvres and obstruct their use.



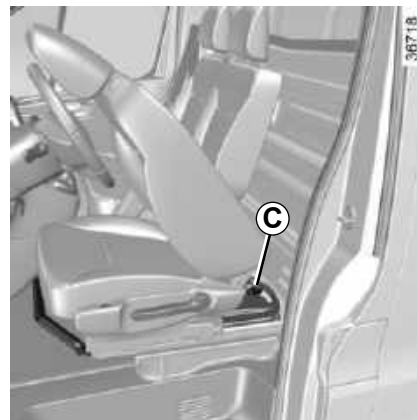
Please be aware that a poorly tightened or missing valve cap can make the tyres less airtight and may lead to pressure loss.

Always use valve caps identical to those fitted originally and tighten them fully.



Following repair with the kit, do not travel further than 120 miles (200 km). In addition, reduce your speed and under no circumstances exceed 48 mph (80 km/h). The sticker, which you must affix in a prominent position on the dashboard, reminds you of this.

Depending on the country or local legislation, a tyre repaired with the inflation kit may need to be replaced.



Depending on the vehicle, in the event of a puncture, use the kit located in the tool kit underneath the driver's seat.

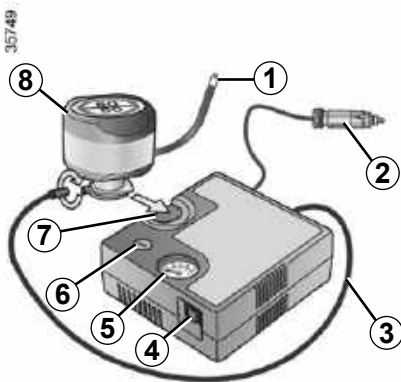
To remove it, move the seat forwards as far as it will go, and move the seat-back.

Unscrew the mounting screw **C** from the unit and swivel to extract.

### Precautions when using the kit

The kit should not be operated for more than 15 consecutive minutes.

## TYRE PRESSURE KIT (3/3)



### With the engine running and the parking brake applied,

- unroll the hose from the container;
- connect the compressor hose **3** to the container's inlet **8**;
- depending on the vehicle, connect the container **8** to the compressor from the container recess **7**;
- unscrew the valve cap on the relevant wheel and screw on the container's inflation adapter **1**;

- disconnect any accessories previously connected to the vehicle's accessories sockets;
- adapter **2** **must** be connected to the vehicle accessories socket;
- press switch **4** to inflate the tyre to the recommended pressure (please refer to the information on "Tyre inflation pressure" in Section 4);
- after a maximum of **15** minutes, stop inflating and read the pressure (on pressure gauge **5**).

**Note:** while the bottle is emptying (approximately 30 seconds), the pressure gauge **5** will indicate briefly a pressure of up to **6** bars, then the pressure drops.

- adjust the pressure: to increase it, continue inflation with the kit; to reduce it, press button **6**.

**If a minimum pressure of 1.8 bar is not reached after 15 minutes, repair is not possible; do not drive the vehicle but contact an approved dealer.**

- Once the tyre is correctly inflated, remove the kit: slowly unscrew the inflation adapter **1** to prevent any product spatter and store the container in plastic packaging to prevent product leaks.
  - Affix the driving recommendation label to the dashboard where it can easily be seen by the driver;
  - Store the kit in the toolkit and reinsert it properly under the driver's seat.
- At the end of this initial inflation operation, air will still escape from the tyre. You must drive a short distance in order to seal the hole.
- Start immediately and drive at between 12 and 40 mph (20 and 60 km/h) in order to distribute the product evenly in the tyre and, after driving for 2 miles (3 km), stop and check the pressure.
- If the pressure is greater than 1.3 bar but less than the recommended pressure (refer to the label affixed to the edge of the driver's door), readjust it. Otherwise, please contact an authorised dealer: the tyre cannot be repaired.

## TOOLS (1/2)

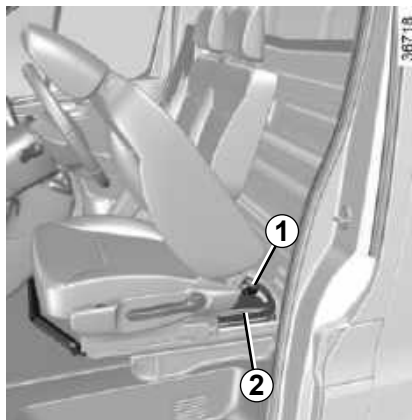


Do not leave the tools unsecured inside the vehicle as they may come loose under braking. After use, check that all the tools are correctly clipped into the tool kit, then position it correctly in its housing: there is a risk of injury.

The jack is designed for wheel changing purposes only. Under no circumstances should it be used for carrying out repairs underneath the vehicle or to gain access to the underside of the vehicle.



Nothing should be placed on the floor area in front of the driver as such objects may slide under the pedal during braking manoeuvres, thus obstructing its use.

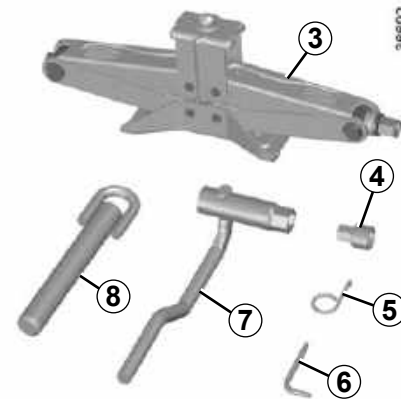


The tools included in the tool kit depend on the vehicle. The tool kit **2** is located under the driver's seat. To remove it, move the seat forward and fold down the seatback (refer to the information on the "Front seats" in Section 1). Unscrew the mounting screw **1** from the unit and swivel to extract.

### Jack 3

Fold it correctly before refitting it in its housing (ensure that the wheelbrace is correctly positioned).

### Wheel bolt anti-theft piece 4.



### Hubcap tool 5

This tool is used to remove the wheel trims.

### Offset wrench 6.

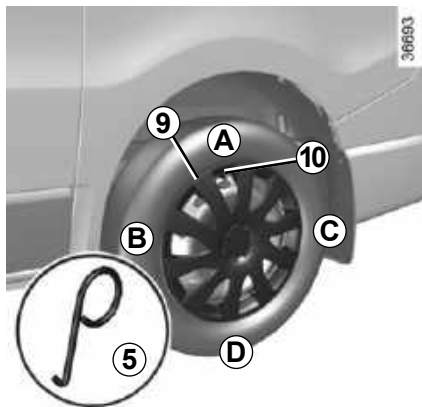
### Wheelbrace 7

This locks and unlocks the wheel bolts and the emergency spare wheel holder.

### Tow eye 8

Please see "Towing: breakdown recovery" in Section 5.

## TOOLS (2/2)/TRIMS

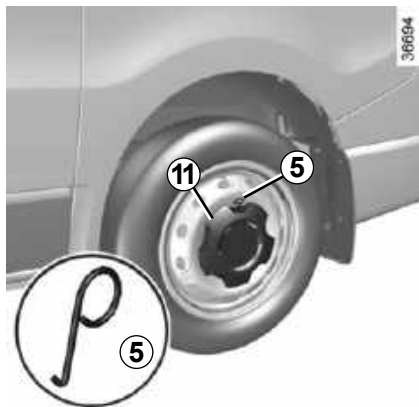


### Trim 9

Remove the wheel trim using hubcap tool **5** (located in the tool kit) by fitting the hook into one of the openings around the edge of the wheel trim.

To refit it, align it with valve **10**.

Push the retaining hooks in fully, starting with side **A** near the valve, followed by **B** and **C**, finishing at **D** opposite the valve.



### Trim 11

Remove using hubcap tool **5** (located in the tool kit) by engaging the hook in the opening near the edge of the trim.

To refit, position the five trim attachments facing the five wheel attachments and press hard in the middle of the trim to clip it to the wheel.



## CHANGING A WHEEL (1/2)



Switch on the hazard warning lights.

Keep the vehicle away from traffic and on a level surface where it will not slip.

Apply the hand brake and engage a gear (first or reverse, or **P** for automatic transmissions).

Ask all the passengers to leave the vehicle and keep them away from traffic.



If the vehicle is parked on the hard shoulder, you must warn other road users of your vehicle's presence with a warning triangle or with other devices as per the legislation applying to the country you are in.



Do not leave the tools unsecured inside the vehicle as they may come loose under braking. After use, check that all the tools are correctly clipped into the tool kit, then position it correctly in its housing: there is a risk of injury.

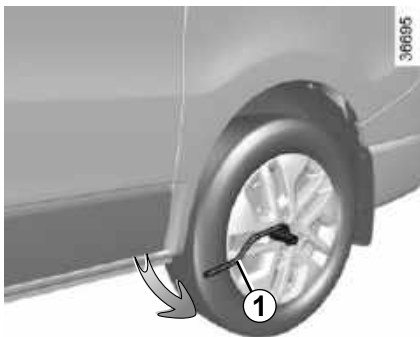
The jack is designed for wheel changing purposes only. Under no circumstances should it be used for carrying out repairs underneath the vehicle or to gain access to the underside of the vehicle.



If you have a puncture, replace the wheel as soon as possible.

A tyre which has been punctured should always be inspected (and repaired, where possible) by a specialist.

## CHANGING A WHEEL (2/2)



Remove the wheel trim (refer to the information on “Wheel trims” in Section 5). Use the wheelbrace **1** to slacken off the wheel bolts. Position it so as to be able to push from above.



Insert the jack **2** horizontally; the jack head pin **3** should line up with the hole in the lower part of the bodywork nearest the wheel concerned.

Begin to crank the jack so that the base-plate is correctly positioned (it should be underneath the vehicle and aligned with the jack head).

Loosen the wheel nuts and remove the wheel.

Fit the emergency spare wheel in place on the central hub.

Tighten the nuts and lower the jack.

With the wheels on the ground, tighten the nuts fully and check if they are tight as quickly as possible.

Position the trim.

### **Anti-theft bolt**

If you use anti-theft bolts, fit these nearest the valve (otherwise it may not be possible to fit the wheel trim).

## TYRES (1/3)

The tyres are the only contact between the vehicle and the road, so it is essential to keep them in good condition.

You must make sure that your tyres conform to local road traffic regulations.



### Maintaining the tyres

The tyres must be in good condition and the tread form must have sufficient depth; tyres approved by our Technical Department have wear warning strips **1** which are **indicators moulded into the tread at several points.**

When the tyre tread has been worn to the level of the warning strips, **they become visible 2**: it is **then** necessary to replace your tyres because the tread rubber is now only **1.6 mm deep at most, resulting in poor road holding on wet roads.**

An overloaded vehicle, long journeys by motorway, particularly in very hot weather, or continual driving on poorly surfaced minor roads will lead to more rapid tyre wear and affect safety.



Incidents which occur when driving, such as striking the kerb, may damage the tyres and wheel rims, and could also lead to misalignment of the front or rear axle geometry. In this case, have the condition of these checked by an approved dealer.

## TYRES (2/3)

### Tyre pressures

Adhere to the tyre pressures (including the emergency spare wheel). The tyre pressures should be checked at least once a month and additionally before any long journey (refer to the label affixed to the edge of the driver's door).



#### **Incorrect tyre pressures**

lead to abnormal tyre wear and unusually hot running. These are factors which may seriously affect safety and lead to:

- poor road holding,
- risk of bursting or tread separation.

The pressure depends on the load and the speed of use. Adjust the pressure according to the conditions of use (refer to the label affixed to the edge of the driver's door).

Pressures should be checked when the tyres are cold; ignore higher pressures which may be reached in hot weather or following a fast journey.

If tyre pressures cannot be checked when the tyres are **cold**, assume an increase of **0.2 to 0.3 bar** (or **3 PSI**).


**Never deflate a hot tyre.**



Please be aware that a poorly tightened or missing valve cap can make the tyres less airtight and lead to pressure loss.

Always use valve caps identical to those fitted originally and tighten them fully.

### **Vehicle fitted with a tyre pressure loss warning system**

If underinflated (puncture, low pressure, etc.), the warning light  on the instrument panel comes on, see “Tyre pressure loss warning system” in Section 2.

### **Changing wheels around**

This practice is not recommended.

### **Emergency spare wheel**

Refer to the information on the “Emergency spare wheel” and instructions on “Changing a wheel” in Section 5.

## TYRES (3/3)

### Fitting new tyres



For your safety, please respect the speed limit.

When they need to be replaced, only tyres of the same make, size, type and profile should be used on a single axle.

**They must: either have a load capacity and speed rating at least equal to those of the original tyres, or conform to those recommended by an authorised dealer.**

Failure to heed these instructions could endanger your safety and affect your vehicle's roadworthiness.

**Risk of loss of control of the vehicle.**



Chains may only be fitted to tyres of the same size as those originally fitted to **your vehicle**.

Only certain chains can be fitted to tyres. Consult an approved Dealer.

### Use in winter

#### Chains

**For safety reasons, fitting snow chains to the rear axle is strictly forbidden.**

**Chains cannot be fitted** to tyres which are larger than those originally fitted to the vehicle.

#### Snow or Winter tyres

We recommend that these be fitted to all **four wheels** to ensure that your vehicle retains maximum traction.

**Warning:** These tyres sometimes have a specific direction of rotation and a maximum speed index which may be lower than the maximum speed of your vehicle.

### Studded tyres

This type of equipment may only be used for a limited period and as laid down by local legislation.

It is necessary to observe the speed specified by current legislation.

These tyres must, at a minimum, be fitted to the two front wheels.

In all cases, we would recommend that you contact an approved Dealer who will be able to advise you on the choice of equipment which is most suitable for your vehicle.



**17" wheels cannot be fitted with chains.**


If you wish to fit snow chains, you must use **special equipment**.

Consult an approved Dealer.

## FRONT HEADLIGHTS: replacing the bulbs (1/3)



Please note when working close to the engine that it may be hot. In addition, the engine cooling fan may

start at any moment. The  warning light in the engine compartment reminds you of this.

**Risk of injury.**



Any operation on (or modification to) the electrical system must be performed by an approved dealer since an incorrect connection might damage the electrical equipment (harness, components and in particular the alternator). In addition, your Dealer has all the parts required for fitting these units.

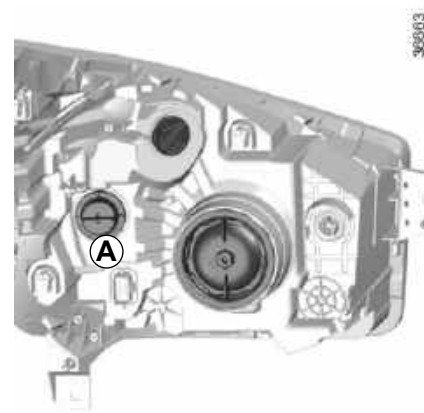


Before performing any action in the engine compartment, the ignition must be switched off (please see the information on “Starting, stopping the engine” in Section 2).



### LED daytime running lights 1

Consult an approved dealer



### Halogen daytime running lights

Turn the bulb holder **A** a quarter of a turn and remove.

**Bulb type: W21W/5W.**

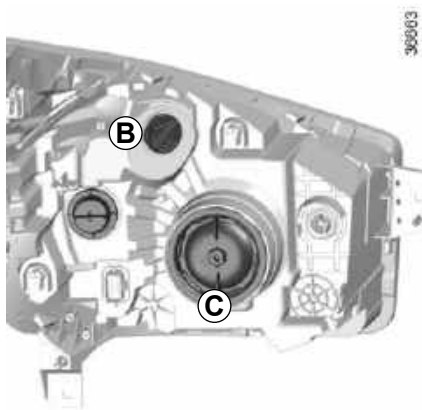
Change the bulb and replace the bulb holder.



The bulbs are under pressure and can break when replaced.

**Risk of injury.**

## FRONT HEADLIGHTS: replacing the bulbs (2/3)

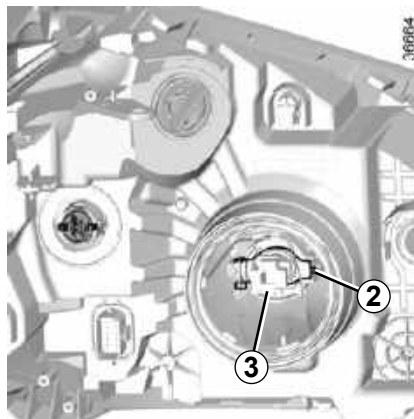


### Direction indicators

Turn bulb holder **B** a quarter of a turn and take out the bulb.

**Bulb type: PY21W (orange bulb).**

To comply with local legislation, or as a precaution, you can obtain an emergency kit containing a set of spare bulbs and fuses from an approved dealer.



### Main headlight and dipped beam headlight

Turn the cover **C** a quarter turn.

Disconnect the wiring **3**.

Unclip spring **2** and remove the bulb.

**Bulb type: H4.**

**Do not touch the bulb glass. Hold it by its base.**

Replace the bulb, replace the connectors and check that the cover **C** is replaced correctly.

## HEADLIGHTS: changing bulbs (3/3)/SIDE LIGHTS

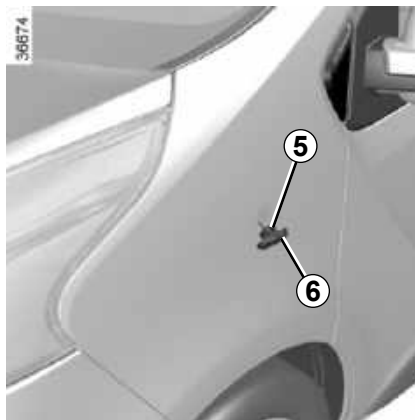


### Front fog lights 4

- Access the bulb holder via the underneath of the vehicle;
- unclip the flap;
- turn the bulb holder a quarter turn.

**Bulb type: H16LL.**

**Type of bulb for vehicles fitted with cornering lights: H11LL.**



### Side indicator lights

Unclip indicator light **6** (using a flat-blade screwdriver or similar).

Turn bulb holder **5** a quarter of a turn and take out the bulb.

**Type of bulb: W5W or WY5 W, depending on the vehicle.**

## Additional lights

If you wish to fit fog lights or long range headlights to your vehicle, consult an approved dealer.

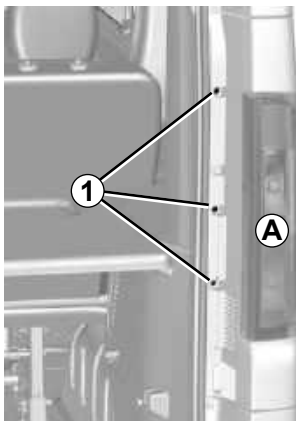


The bulbs are under pressure and can break when replaced.

**Risk of injury.**

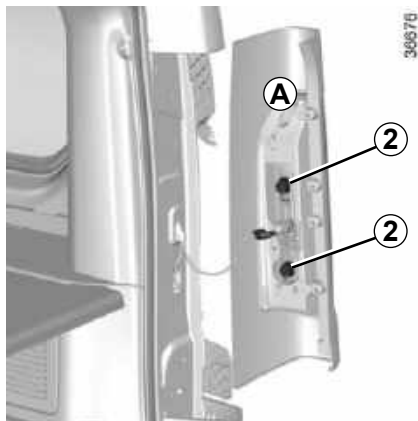


## REAR LIGHTS: changing bulbs (1/4)



### Rear light unit A

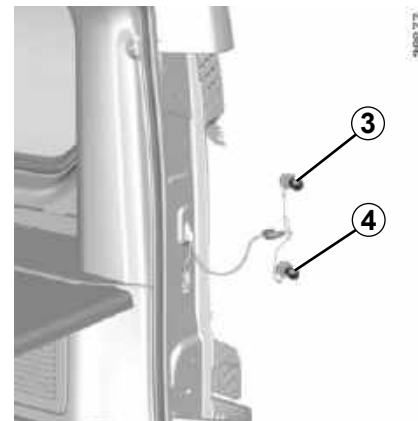
Remove bolt 1.



Turn the light unit slightly and release it to access the bulb holder 2.

Unclip the bulb holders by rotating them a quarter of a turn.

Unclip the bulbs by pressing them slightly and rotating them a quarter of a turn.



### Direction indicator lights 3

Pear-shaped, bayonet type **PY 21W** bulb.

### Side lights and brake lights 4

Pear-shaped, bayonet type **P 21/5W** bulb.



The bulbs are under pressure and can break when replaced.

Risk of injury.

## REAR LIGHTS: changing bulbs (2/4)



### Rear light unit **B**

Remove screws **5**.

Release the headlight unit.

Turn the bulb holder **6** or **7** and release it.

Replace the bulb concerned.

Refit the bulb holder and secure it by turning.

Check that it is securely mounted.

Reposition the headlight unit and screw it in place.



### **6** Fog light (driver's side only)

Pear-shaped bayonet bulb **W16W**.

### **7** Reversing light

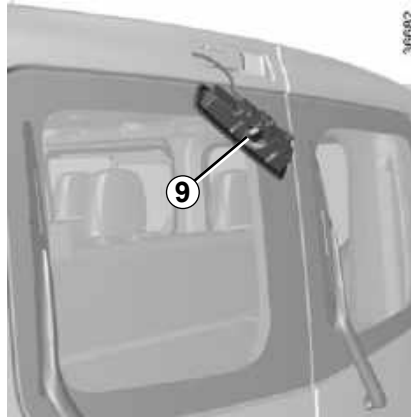
Pear-shaped bayonet bulb **W16W**.

## REAR LIGHTS: changing bulbs (3/4)



### High-level brake light on rear hinged doors

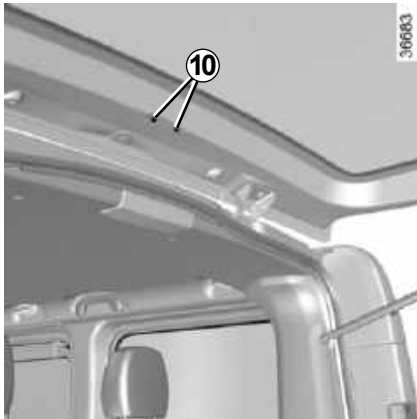
Remove nuts **8**.



Remove the light sideways from the outside to access bulb **9**.

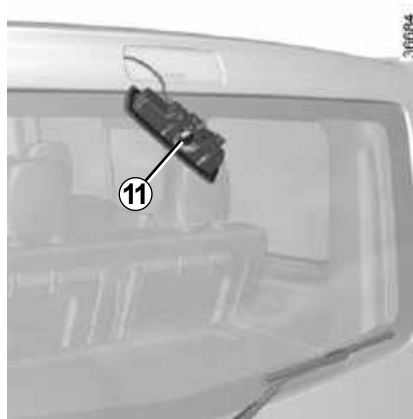
Pear-shaped, bayonet type **P 21W** bulb.

## REAR LIGHTS: changing bulbs (4/4)



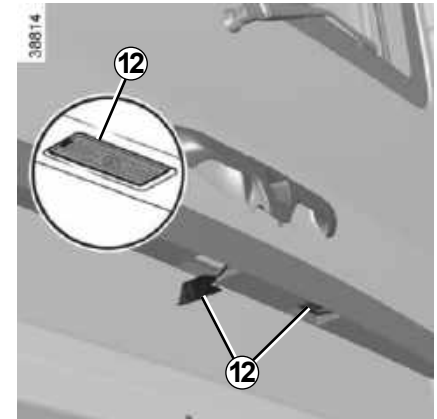
### High-mounted brake light on tailgate

Remove nuts **10**.



Remove the light from the outside to access the bulb **11**.

Pear-shaped, bayonet type **P 21W** bulb.



### Number plate lights

The bulb is accessed in the same way for both vehicles with hinged doors and those with the tailgate.

Unclip the light **12** (using a tool such as a flat-blade screwdriver).

Remove the light cover to gain access to the bulb.

**Bulb type: W5W.**

## INTERIOR LIGHTING: changing bulbs (1/2)



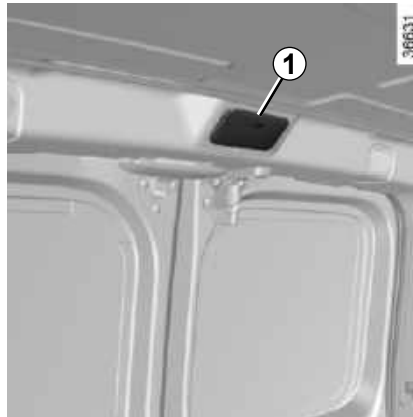
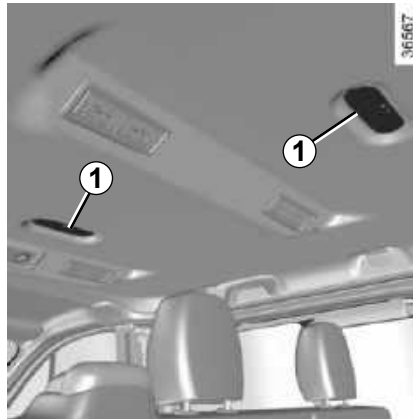
### Courtesy lights

Remove the relevant roof diffuser **1** using a flat-blade screwdriver.

Pull the bulb to remove it from its housing.

**Bulb type: W6W**

Replace the bulb and refit the lens.



**Special features for vehicles fitted with a reading lamp**

**Type of bulb 2: W6W**

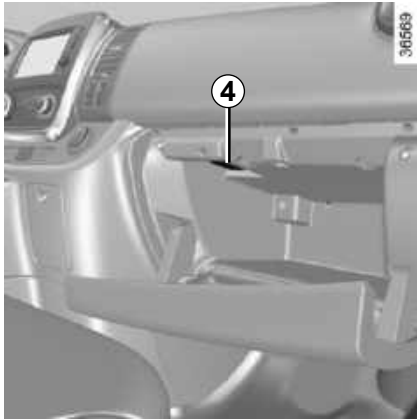
**Type of reading lamp 3: W5W**



The bulbs are under pressure and can break when replaced.

**Risk of injury.**

## INTERIOR LIGHTING: changing bulbs (2/2)



### Glovebox lights 4

Remove the lens using a tool such as a flat-blade screwdriver.

Pull the bulb to remove it from its housing.

**Bulb type: W5W**

Replace the bulb and refit the lens.



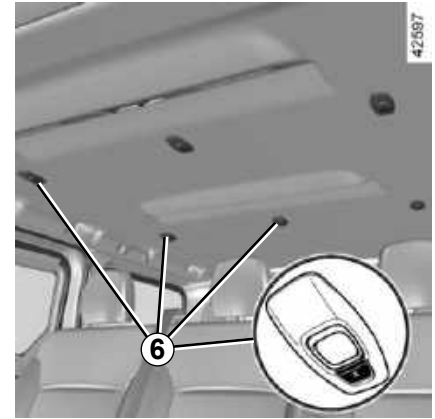
### Light 5

Remove the lens using a tool such as a flat-blade screwdriver.

Pull the bulb to remove it from its housing.

**Bulb type: W5W**

Replace the bulb and refit the lens.

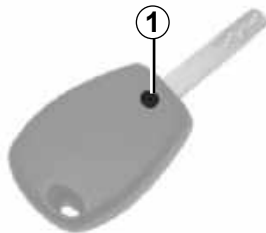


### Light 6

Consult an approved dealer.

# RADIO FREQUENCY REMOTE CONTROL: battery

200099



## Replacing the remote control battery

Undo screw **1** to remove the remote control cover.

The batteries are available from approved Dealers, and their service life approximately two years.

Check that there is no dye on the battery: risk of an incorrect electrical contact.

31574



Replace battery **2** according to the direction marked on the cover.

**Note:** It is not advisable to touch the electronic circuit in the key cover when replacing the battery.

When refitting, ensure that the cover is correctly clipped on and the screw tightened.

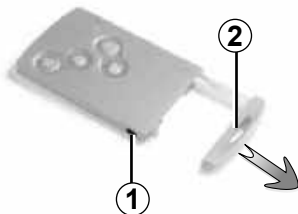
20013



Do not dispose of your used batteries in the countryside. Give them to an organisation that collects and recycles used batteries.

## RENAULT CARD: battery

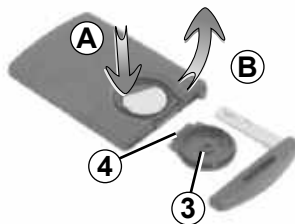
26860



### Replacing the battery

When the message "KEYCARD BATTERY LOW" appears on the instrument panel, replace the RENAULT card battery, press button **1** pulling on emergency key **2**, then unclip the cover **3** using tab **4**.

Remove the battery by pressing on one side (movement **A**) and by lifting the other (movement **B**) then replace it, ensuring the polarity and model, shown on cover **3** are respected.



26862

When refitting, proceed in the reverse order, then press one of the buttons on the card four times, close to the vehicle: the next time the vehicle is started, the message will disappear.

**Note:** it is not advisable to touch the electronic circuit or contacts on the RENAULT card when replacing the battery.

Check that the cover is clipped shut.

The batteries are available from approved Dealers, and their service life approximately two years. Check that there is no dye on the battery: risk of an incorrect electrical contact.

26013



### Operating faults

If the battery is too weak to ensure correct operation, you can still start (insert the RENAULT card in the card reader) and lock/unlock the vehicle (refer to the information on "Locking/unlocking the doors" in Section 1).



Do not throw away your used batteries; give them to an organisation responsible for collecting and recycling batteries.




## BATTERY: breakdown recovery (1/2)



Handle the battery with care as it contains sulphuric acid, which must not come into contact with eyes or skin. If it does, wash the affected area with plenty of cold water. If necessary, consult a doctor.

Ensure that naked flames, red hot objects and sparks do not come into contact with the battery as there is a risk of explosion.

Please note when working close to the engine that it may be hot. In addition, the engine cooling fan may

start at any moment. The  warning light in the engine compartment reminds you of this.

**Risk of injury.**



Before performing any action in the engine compartment, the ignition must be switched off (please see the information on “Starting, stopping the engine” in Section 2).



Special procedures may be required to charge some batteries. Contact your approved dealer.

Avoid all risk of sparks which may cause an immediate explosion, and charge the battery in a well ventilated area. **Risk of serious injury.**

### To avoid all risk of sparks:

- Ensure that any power consumers (courtesy lights, etc.) are switched off before disconnecting or reconnecting a battery;
- when charging, stop the charger before connecting or disconnecting the battery;
- do not place metal objects on the battery as this could create a short circuit between the terminals;
- always wait at least one minute after the engine has been switched off before disconnecting a battery;
- make sure that you reconnect the battery terminals after refitting.

### Connecting a battery charger

**The battery charger must be compatible with a battery with nominal voltage of 12 volts.**

Do not disconnect the battery when the engine is running. **Follow the instructions given by the manufacturer of the battery charger you are using.**

## BATTERY: breakdown recovery (2/2)

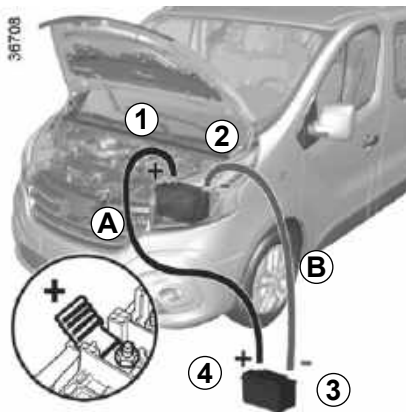
### Starting the vehicle using the battery from another vehicle

If you have to use the battery from another vehicle to start, obtain suitable jump leads (with a large cross section) from an approved dealer or, if you already have jump leads, ensure that they are in perfect condition.

**The two batteries must have an identical nominal voltage of 12 volts.** The battery supplying the current should have a capacity (amp-hours, Ah) which is at least the same as that of the discharged battery.

Ensure that there is no risk of contact between the two vehicles (risk of short circuiting when the positive terminals are connected) and that the discharged battery is properly connected. Switch off your vehicle ignition.

Start the engine of the vehicle supplying the current and run it at an intermediate engine speed.

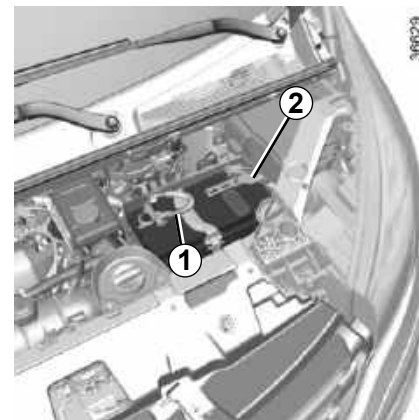


Depending on the vehicle, unclip the battery cover.

Connect the positive cable **A** to the support on the (+) terminal **1**, then to the (+) terminal **4** of the battery supplying the current.

Connect the negative cable **B** to the (-) terminal **3** of the battery supplying the current and then to the (-) terminal **2** of the discharged battery.

Start the engine, and as soon as it starts running, disconnect cables **A** and **B** in reverse order (**2 - 3 - 4 - 1**).



Check that there is no contact between leads **A** and **B** and that the positive lead **A** is not touching any metal parts on the vehicle supplying the current.

**Risk of injury and/or damage to the vehicle.**

## FUSES (1/3)



Check the fuse in question and **replace it**, if necessary, **by a fuse of the same rating**.

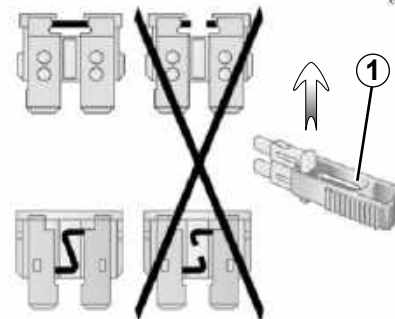
If a fuse is fitted with too high a rating, it may cause the electrical circuit to overheat (risk of fire) in the event of an item of equipment using an excessive amount of current.



### Fuses in passenger compartment A

If any electrical equipment does not work, check the condition of the fuses. Unclick the storage compartment **A** by pressing on either side and pulling towards you.

To comply with current legislation, or as a precaution, you can obtain an emergency kit from your approved dealer containing a set of spare bulbs and fuses.



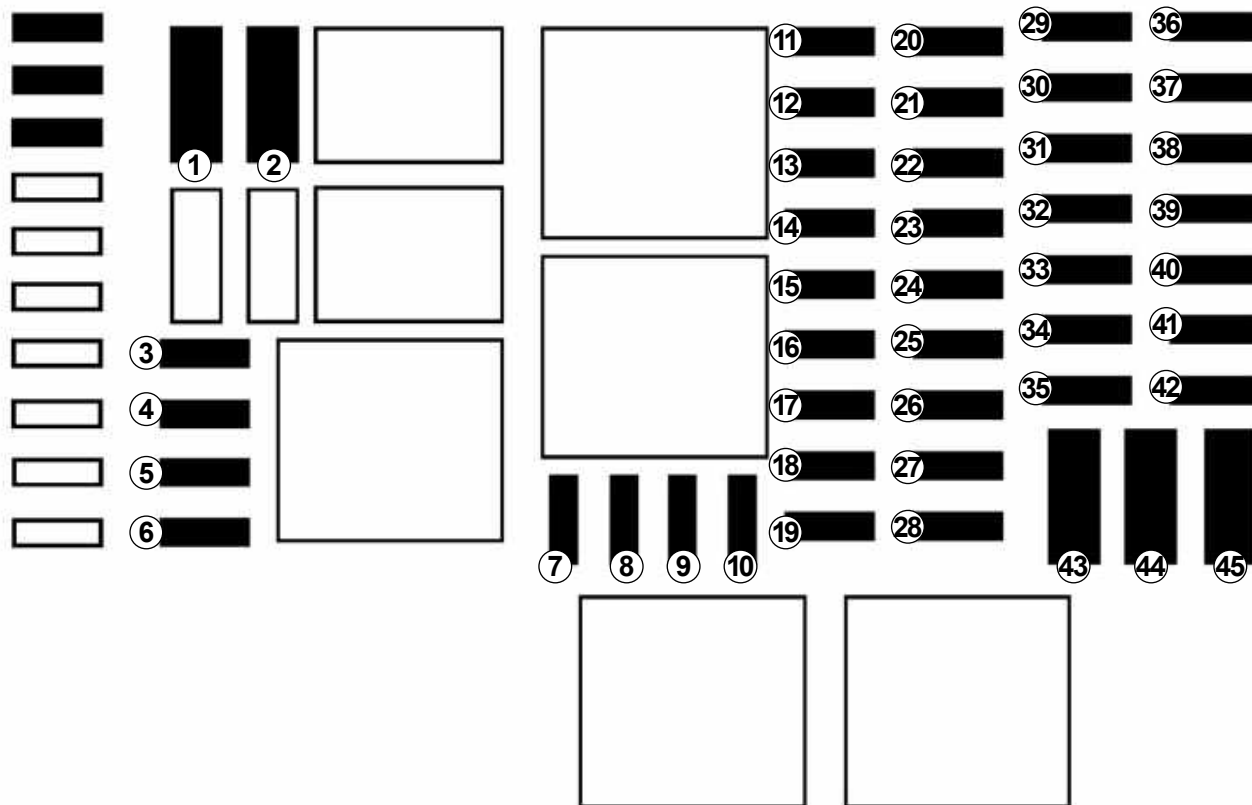
### Clip 1

Remove the fuse using tweezers **1**, located at the back of flap **A**. To remove the fuse from the tweezers, slide the fuse to the side. It is not advisable to use the free fuse locations.

# FUSES (2/3)

## Allocation of fuses

(the presence of certain fuse depends on the vehicle equipment level)



## FUSES (3/3)

No.	Allocation
1	APC load for vehicle with RENAULT card
2	Adjustment
3	Adjustment
4	+ battery for vehicles with RENAULT card
5	Additional heating and air conditioning
6	Supplementary passenger compartment heating
7	Electric door mirrors, supplementary central unit adjustment
8	Heated door mirror
9	Radio, multimedia, rear-view mirror, diagnostic socket
10	Pre-equipment, towbar socket
11	Timed battery, passenger compartment unit
12	Right-hand daytime running light, front side lights, right-hand main beam headlight, left-hand dipped beam headlight
13	Hazard warning lights, direction indicator lights

No.	Allocation
14	Central locking of opening elements
15	Left-hand daytime running light, rear side light, left-hand main beam headlight, right-hand dipped beam headlight
16	Registration plate lighting, front and rear fog lights
17	Alarm, horn, lighting and wiper stalks
18	Instrument panel
19	Heater
20	Rear screen wiper, screenwash pump, horn
21	General APC load
22	Reversing lights
23	Brake switch
24	Injection, starting
25	Airbag, steering column lock
26	Passenger side window control
27	Power-assisted steering
28	Brake lights

No.	Allocation
29	APC load for vehicle with RENAULT card
30	General service
31	Cigarette lighter, accessories socket
32	Heater
33	Brake light, ABS, transponder
34	Interior lighting, air-conditioning
35	Starting for vehicles with RENAULT card
36	Rear windscreen wiper
37	Electromagnetic notification
38	Accessories socket in the loading area
39	Driver's side window control motor
40	Rear accessories socket
41	BCM starting
42	Heated seats
43	Tachograph
44	Front windscreen wiper
45	Heating, air conditioning system

## ACCESSORIES



### **Electrical and electronic accessories**

Before installing this type of accessory (particularly for transmitters/receivers: frequency bandwidth, power level, position of the aerial, etc.), make sure it is compatible with your vehicle. You can get advice from an authorised dealer.

Connect accessories with a maximum power of 120 Watts only. **Fire hazard.** When several accessory sockets are used at the same time, the total power of the connected accessories must not exceed 180 watts.

No work may be carried out on the vehicle's electrical or radio circuits, except by authorised dealers: an incorrectly connected system may result in damage being caused to the electrical equipment and/or the components connected to it.

If the vehicle is fitted with any aftermarket electrical equipment, make sure that the installation is correctly protected by a fuse.

Establish the rating and position of this fuse.

### **Using the diagnostic socket**

The use of electronic accessories on the diagnostic socket may cause serious disturbance to the vehicle's electronic systems.

For your safety we recommend that you use only electronic accessories approved by the manufacturer, consult an Approved Dealer. **Serious accident risk.**

### **Use of transmitting/receiving devices (telephones, CB equipment etc.).**

Telephones and CB equipment with integrated aerials may cause interference to the electronic systems originally fitted to the vehicle: it is advisable only to use equipment with an external aerial. **Furthermore, we remind you of the need to conform to the legislation in force concerning the use of such equipment.**

### **Fitting aftermarket accessories**

If you wish to install accessories on the vehicle: please contact an authorised dealer. Also, to ensure the correct operation of your vehicle, and to avoid any risk to your safety, we recommend that you use only accessories specifically designed for your vehicle, which are the only accessories for which the manufacturer will provide a warranty.

If you are using an anti-theft device, only attach it to the brake pedal.

### **Obstructions to the driver**

On the driver's side, only use mats suitable for the vehicle, attached with the pre-fitted components, and check the fitting regularly. Do not lay one mat on top of another. **There is a risk of wedging the pedals.**

## WINDSCREEN WIPER BLADES (1/2)

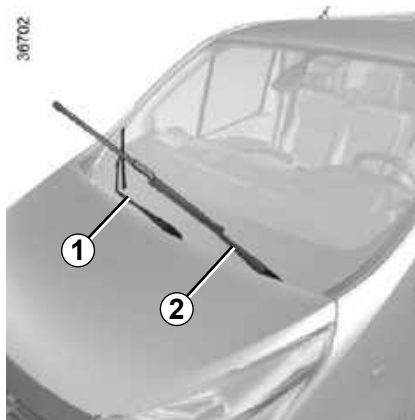
Check the condition of the wiper blades. You are responsible for their service life:

- clean the blades, windscreen and rear screen regularly with soapy water;
- do not use them when the windscreen or rear screen are dry;
- free them from the windscreen or rear screen when they have not been used for a long time.



- In frosty weather, make sure that the wiper blades are not stuck by ice (to avoid the risk of the motor overheating).
- Check the condition of the wiper blades. Replace the wiper blades as soon as they begin to lose efficiency (approximately once a year).

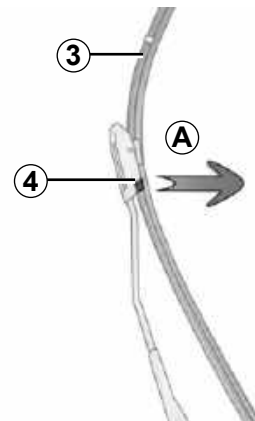
Whilst changing the blade, take care not to drop the arm onto the window after it has been removed as this may break the window.



### Replacing windscreen wiper blades

**With the ignition on and the engine stopped:**

- lower the windscreen wiper stalk fully: they stop slightly away from the bonnet;
- lift the wiper arms **1** and **2**;
- pull the tab **4** (movement **A**) and push the blade **3** upwards.

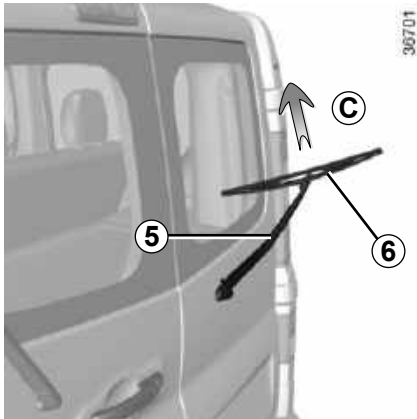


### To refit

To refit the wiper blade, proceed in reverse order to removal. Make sure that the blade is correctly locked in position.

Raise the windscreen wiper stalk fully: the front windscreen wiper blades will settle down onto the bonnet.

## WINDSCREEN WIPER BLADES (2/2)



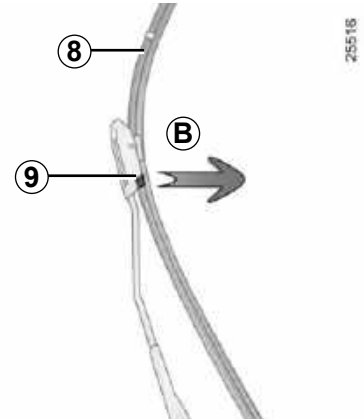
### Rear screen wiper blade on rear hinged doors

- Lift wiper arm **5**;
- pivot the blade **6** until some resistance is met;
- pull the blade to release it (movement **C**).



### Rear windscreen wiper blade on tailgate

- Lift the wiper arm **7**;
- pull the tab **9** (movement **B**) and push the blade **8** upwards.



### To refit

Proceed in the reverse order to removal. Make sure that the blade is correctly locked in position.



## TOWING: breakdown recovery (1/2)



- Use a rigid towing bar. If a rope or cable is used (where the law allows this), the vehicle being towed must be able to brake.
- A vehicle must not be towed if it is not fit to be driven.
- Do not accelerate or brake suddenly when towing, as this may result in damage being caused to the vehicle.
- When towing a vehicle, do not exceed **15 mph (25 km/h)**.
- Do not push the vehicle if the steering column is locked.



When the engine is stopped, steering and braking assistance are not operational.



Do not remove the key from the ignition switch or the card from the reader during towing.

**The steering wheel must be unlocked and the ignition key must be in position M (ignition on) to provide brake lights and hazard warning lights on the towed vehicle. At night the vehicle must have its lights on.**

**Unhitch the trailer, etc., if one is being towed.**

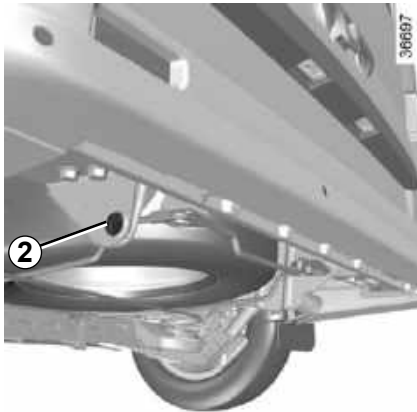
You must observe the towing regulations which apply in the country in which you are driving: do not exceed the towing weight for your vehicle.

Contact an approved dealer.

Never use the drive shafts or axles.

These towing points may only be used for traction: never use them for lifting the vehicle directly or indirectly.

## TOWING: breakdown recovery (2/2)



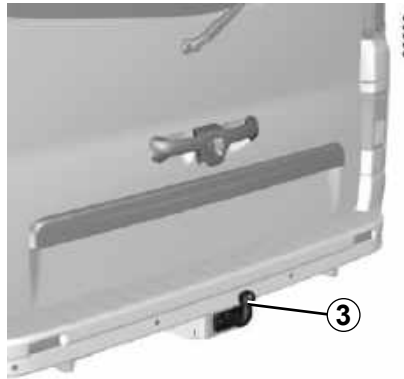
### Use only

#### At the rear:

- for vehicles without towing equipment, towing point 2;
- for vehicles with towing equipment, towing point 3 (towbar ball);

#### At the front:

- At the front, tow eye 6 (from the tool kit) and towing point 6.



### Rear towing point 2

(Vehicle without towing equipment)

### Rear towing point 3

(Vehicle with towing equipment)

To assemble the towbar ball, please consult the equipment assembly instructions.



### Front towing point 6

Unclip the cover 5 by inserting a flat-blade screwdriver or similar under the cover.

**Tighten the tow eye 4 fully:** as much as possible by hand at first, then finish tightening it using the wheelbrace.

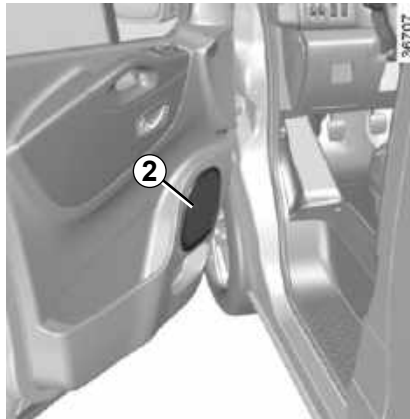
Only use the towing eye 4 stored with the tools. Please refer to the information on “Tools” in Section 5.

## FITTING A RADIO



### Radio location 1

Unclip the cover blanking the radio location **1**. The connections are found behind the cover: aerial, + and – supply, and speaker wires.



### Speakers

Turn the grilles **2** to gain access to the speaker's wiring.

To use this equipment, consult the instructions for the equipment which should be kept with the other vehicle documentation.

- In all cases, it is very important to follow the manufacturer's instructions carefully.
- The specifications of the brackets and wires (available from our network) vary depending on the equipment level of your vehicle and the type of radio.

Consult an approved Dealer to find out the correct part number.

- No work may be carried out on the vehicle's electrical or radio circuits, except by approved dealers: an incorrectly connected system may result in damage being caused to the electrical equipment and/or the components connected to it.

## OPERATING FAULTS (1/7)

The following advice will enable you to carry out quick, temporary repairs. For safety reasons you should always contact an approved Dealer as soon as possible.

Using the RENAULT card	POSSIBLE CAUSES	WHAT TO DO
The RENAULT card does not lock or unlock the doors.	Card battery is flat.	Replace the battery. You can still lock/unlock and start your vehicle (refer to the information on “Locking, unlocking the opening elements” in Section 1 and “Starting, stopping the engine” in Section 2).
	Use of appliances operating on the same frequency as the card (mobile phone, etc.).	Stop using the equipment or use the integrated key (refer to the information on “Locking, unlocking the opening elements” in Section 1).
	Vehicle located in a high electromagnetic radiation zone. Vehicle battery flat.	Use the key integrated in the card (refer to the information on “Locking, unlocking the opening elements” in Section 1).
	The vehicle is started.	With the engine running, the card’s locking/unlocking device is blocked. Turn off the ignition.

## OPERATING FAULTS (2/7)

The following advice will enable you to carry out quick, temporary repairs. For safety reasons you should always contact an approved dealer as soon as possible.

Using the remote control	POSSIBLE CAUSES	ACTION REQUIRED
The remote control does not lock or unlock the doors.	The remote control battery is flat.	Use the emergency key.
	Use of appliances operating on the same frequency as the remote control (mobile phone, etc.).	Stop using the devices or use the key.
	Vehicle located in a high electromagnetic radiation zone. Discharged battery.	Replace the battery. You can still lock/unlock and start your vehicle (refer to the information on “Locking/unlocking the doors” in Section 1 and “Starting/Stopping the engine” in Section 2).
	The vehicle is started.	With the engine running, the key’s locking/unlocking device is blocked. Turn off the ignition.

## OPERATING FAULTS (3/7)

<b>The starter is activated</b>	<b>POSSIBLE CAUSES</b>	<b>WHAT TO DO</b>
The instrument panel indicator lights are weak or fail to light up and the starter does not turn.	Battery terminals not tight, battery terminals disconnected or oxidised.	Retighten or reconnect the terminals, or clean them if they are oxidised.
	Discharged battery or not operational.	Connect another battery to the faulty battery. Refer to information on “Battery: troubleshooting” in Section 5 or replace the battery if necessary. Do not push the vehicle if the steering column is locked.
	Faulty circuit.	Consult an approved dealer.
The engine will not start.	Starting conditions are not fulfilled.	Please refer to the information on “Starting, stopping the engine” in Section 2.
	The RENAULT “hands-free” card does not work.	Insert the card in the card reader in order to start the engine. Please refer to the information on “Starting, stopping the engine” in Section 2.
The engine cannot be switched off.	Card not detected.	Insert the card in card reader.
	Electronic fault.	Press the starter button quickly five times.
The steering column remains locked.	Steering wheel locked.	Move the steering wheel while pressing the engine start button (please refer to Section 2 “Starting, stopping the engine”).
	Faulty circuit.	Consult an approved dealer.

## OPERATING FAULTS (4/7)

On the road	POSSIBLE CAUSES	WHAT TO DO
White smoke from the exhaust.	In the diesel version, this is necessarily a fault. Smoke may be caused by particle filter regeneration.	Please refer to the information on “Special features of diesel versions” in Section 2.
Smoke under the vehicle when starting the heating.	This is not necessarily a fault. The smoke may come from the heater.  If this happens, the smoke will gradually disappear once the passenger compartment temperature has reached the appropriate level.	
Smoke under the bonnet.	Short-circuit or cooling system leak.	Stop, switch off the ignition, stand away from the vehicle and contact an approved dealer.
The oil pressure warning light comes on:		
while cornering or braking	The level is too low.	Top up the engine oil level (refer to the information on “Engine oil level: topping up, filling” in Section 4).
is slow to go out or remains lit under acceleration	Loss of oil pressure.	Stop the vehicle and contact an approved Dealer.

## OPERATING FAULTS (5/7)

On the road	POSSIBLE CAUSES	WHAT TO DO
Steering becomes heavy.	Assistance overheating. Fault with the electric assistance motor. Fault in the assistance system.	Drive carefully at reduced speed, be aware of the level of force in the steering wheel needed to turn the wheels. Consult an approved dealer
Vibrations.	Tyres not inflated to correct pressures, incorrectly balanced or damaged.	Check the tyre pressures: if this is not the problem, have them checked by an approved Dealer.
The engine is overheating. The coolant temperature indicator is in the warning zone and warning light <b>STOP</b> comes on.	Engine cooling fan not working.	Stop the vehicle, switch off the engine and contact an approved dealer.
	Coolant leaks.	Check the coolant reservoir: it should contain fluid. If there is no coolant, consult an approved dealer as soon as possible.
Coolant boiling in the coolant reservoir.	Mechanical fault: damaged cylinder head gasket.	Stop the engine. Contact an approved dealer.



**Radiator:** If there is a significant lack of coolant, remember that it must never be topped up using cold coolant while the engine is very warm. After any procedure on the vehicle which has involved even partial draining of the cooling system, it must be refilled with a new mixture prepared in the correct proportions. Reminder: only products approved by our Technical Department may be used for this purpose.



## OPERATING FAULTS (6/7)

<b>Electrical equipment</b>	<b>POSSIBLE CAUSES</b>	<b>WHAT TO DO</b>
The wipers do not work.	Wiper blades stuck.	Free the blades before using the wipers.
	Faulty electrical circuit.	Consult an approved dealer.
	Fuse damaged.	Replace the fuse or have it replaced; refer to the information on “Fuses” in section 5.
The wiper does not stop.	Faulty electrical controls.	Consult an approved dealer.
Direction indicators flashing more quickly.	Blown bulb.	See information on “Headlights: changing bulbs” or “Rear and side lights: changing bulbs”.
The direction indicators do not work.	Faulty electrical circuit or control.	Consult an approved dealer.
	Fuse damaged.	Replace the fuse or have it replaced; refer to the information on “Fuses” in section 5.
The lights do not come on or go off.	Faulty electrical circuit or control.	Consult an approved dealer.
	Fuse damaged.	Replace the fuse or have it replaced; refer to the information on “Fuses” in section 5.

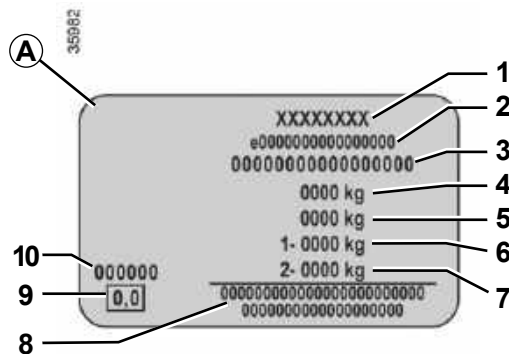
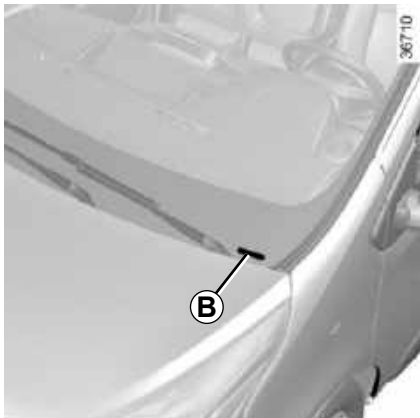
## OPERATING FAULTS (7/7)

<b>Electrical equipment</b>	<b>POSSIBLE CAUSES</b>	<b>WHAT TO DO</b>
<p>Traces of condensation in the headlights or rear lights.</p>	<p>Traces of condensation may be a natural phenomenon caused by variations in temperature and humidity.</p> <p>In this case, the traces will disappear slowly once the lights are switched on.</p>	
<p>The front seat belt reminder light comes on when the seat belts are fastened.</p>	<p>An object is stuck between the floor and the seat and is disrupting the operation of the sensor.</p>	<p>Remove all objects from underneath the front seats.</p>

# ***Section 6: Technical specifications***

Vehicle identification plate . . . . .	6.2
Engine identification plate . . . . .	6.3
Dimensions . . . . .	6.4
Engine specifications . . . . .	6.8
Towing weights . . . . .	6.9
Weights . . . . .	6.9
Replacement parts and repairs . . . . .	6.11
Service sheets . . . . .	6.12
Anticorrosion check . . . . .	6.18

# VEHICLE IDENTIFICATION PLATES



The information shown on the vehicle identification plate should be quoted on all correspondence or orders.

The presence and location of the information depends on the vehicle.

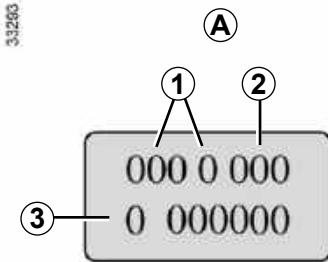
## Vehicle identification plate A

- 1 Manufacturer name.
- 2 EC design number or approval number.
- 3 Identification number.

Depending on the vehicle, this information is also given on marking B.

- 4 MAM (Maximum Authorised Mass).
- 5 GTW (Gross train weight: vehicle fully loaded, with trailer).
- 6 MPAW (Maximum Permissible Weight) for front axle.
- 7 MPAW on rear axle.
- 8 Reserved for related or additional entries.
- 9 Not used.
- 10 Paint reference (colour code).

# ENGINE IDENTIFICATION PLATES



**Please quote the information on the engine plate or label A in all correspondence or orders.**

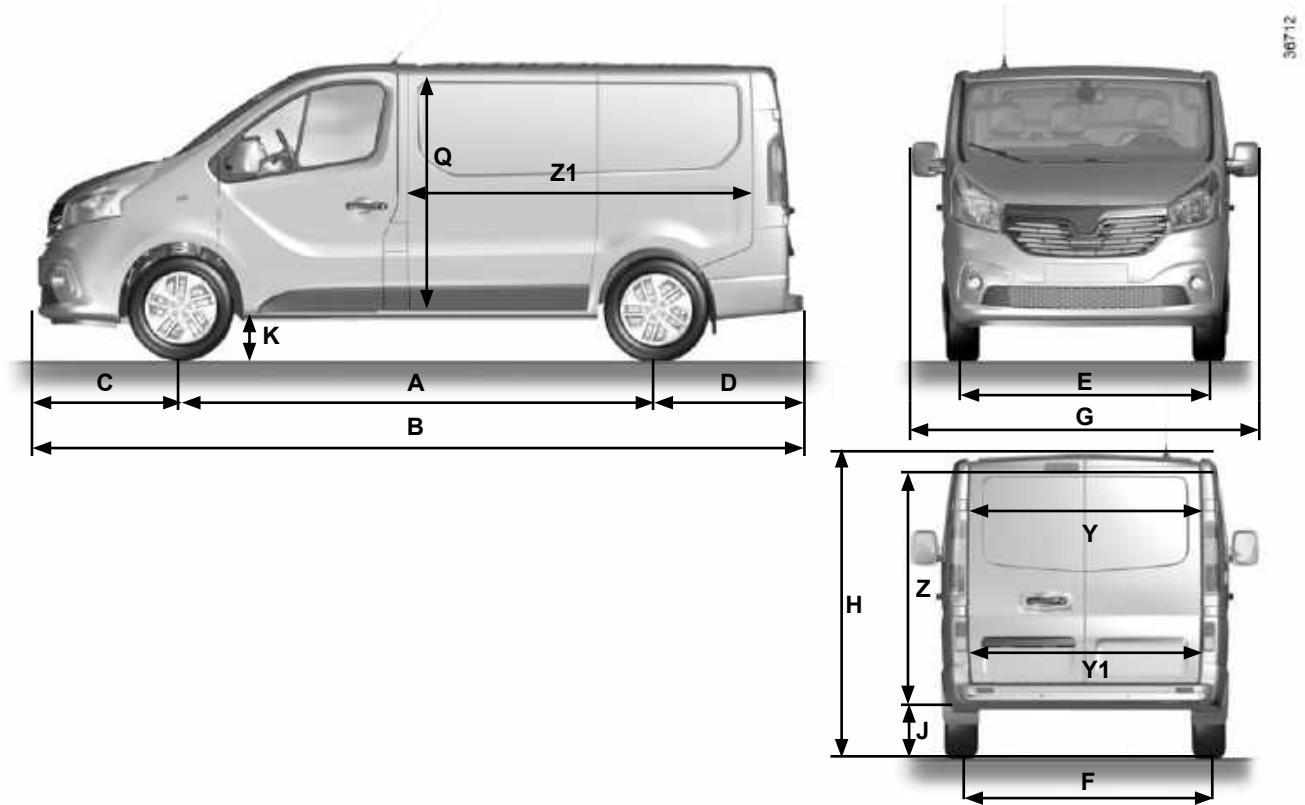
(Location varies depending on engine)

- 1 Engine type.
- 2 Engine suffix.
- 3 Engine number.



# DIMENSIONS (in metres) (1/4)

Van version



## DIMENSIONS (in metres) (2/4)

Complete vehicles without recent alterations

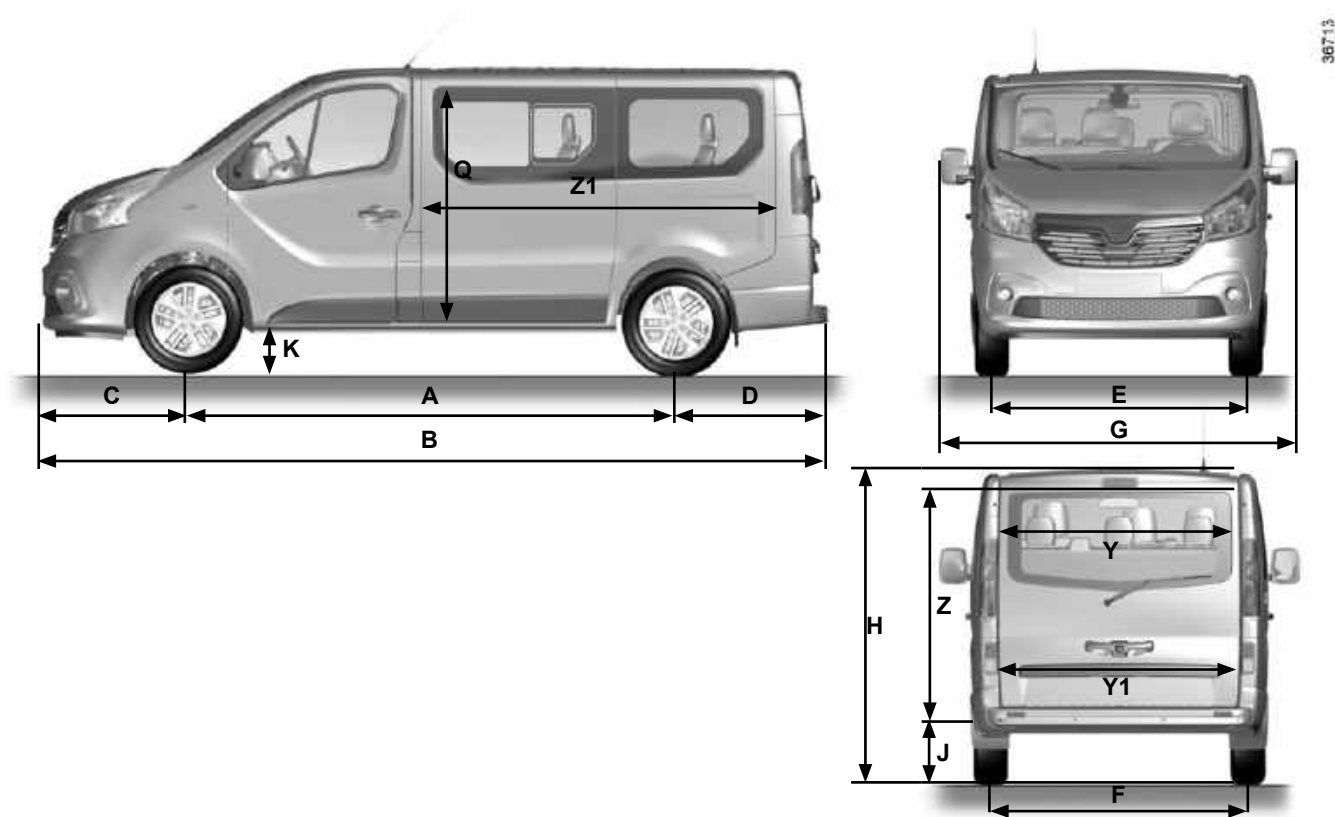
VAN	Standard chassis		Long chassis	
	Standard van	Raised van	Standard van	Raised van
<b>A</b>	3.098		3.498	
<b>B</b>	4.999		5.399	
<b>C</b>	0.933			
<b>D</b>	0.968			
<b>E</b>	1.615			
<b>F</b>	1.628			
<b>G</b>	2.283			
<b>H<sup>(1)</sup></b>	1.971 → 2.493			
<b>J<sup>(1)</sup></b>	0.552 → 0.552			
<b>K<sup>(2)</sup></b>	0.160 → 0.166			
<b>Q</b>	1.387	1.913	1.387	1.913
<b>Y</b>	1.370	1.167	1.370	1.167
<b>Y1</b>	1.391			
<b>Z</b>	1.295	1.818	1.295	1.818
<b>Z1</b>	2.537		2.937	

(1) Unladen

(2) Laden

# DIMENSIONS (in metres) (3/4)

Combi version





# DIMENSIONS (in metres) (4/4)



Complete vehicles without recent alterations

COMBI	Standard chassis				Long chassis	
	Standard combi		Raised combi		Standard combi	
	With 3rd row bench seat	Without 3rd row bench seat	With 3rd row bench seat	Without 3rd row bench seat	With 3rd row bench seat	Without 3rd row bench seat
<b>A</b>	3.098				3.498	
<b>B</b>	4.999				5.399	
<b>C</b>	0.933					
<b>D</b>	0.968					
<b>E</b>	1.615					
<b>F</b>	1.628					
<b>G</b>	2.283					
<b>H<sup>(1)</sup></b>	1.963 → 1.970					
<b>J<sup>(1)</sup></b>	0.546 → 0.553					
<b>K<sup>(2)</sup></b>	0.160 → 0.161					
<b>Q</b>	1.369					
<b>Y</b>	1.370					
<b>Y1</b>	1.391					
<b>Z</b>	1.306					
<b>Z1</b>	0.736	1.620	0.736	1.620	1.136	2.020

(1) Unladen

(2) Laden

## ENGINE SPECIFICATIONS

<b>Versions</b>	<b>1.6 dCi</b>	
<b>Engine type</b> (see engine plate)	R9M	
<b>Cubic capacity (cc)</b>	1598	
<b>Type of fuel</b> <b>Octane rating</b>	Diesel The label located in the fuel filler flap indicates the authorised fuels.	
<b>Fuel types that meet European standards and are compatible with the engines of vehicles sold in Europe</b> (in any other case, contact an Approved Dealer).		Diesel fuel compliant with standard <b>EN 590</b> contains up to 7 % fatty acid methyl ester in volume.
		Diesel fuel compliant with standard <b>EN 16734</b> contains up to 10 % fatty acid methyl ester in volume.
<b>Spark plugs</b>	-	

## WEIGHTS (in kg) (1/2)

The weights indicated for a basic vehicle without options: they vary depending on the your vehicle's equipment. Contact an approved Dealer.

Versions (marketed depending on country)	Standard VAN	Raised VAN
<b>Maximum permissible all-up weight (MMAC) Gross Train Weight (MTR)</b>	Weights are indicated on the vehicle identification plate (refer to the information on "Vehicle identification plates" in Section 6)	
<b>Braked Trailer Weight*</b>	found by calculating: <b>MTR - MMAC</b>	
<b>Unbraked Trailer Weight*</b>	750	
<b>Permissible nose weight*</b>	80	
<b>Maximum permissible load on roof</b>	200 (including carrying device)	150 (including carrying device)

### \* Towing weight (towing a caravan, boat, etc.)

Towing is prohibited when the MTR - MMAC calculation is equal to zero, or when the MTR is equal to zero (or is not listed) on the identification plate.

- It is important to comply with the towing weights, governed by local legislation in each country and, in particular, laid down in the Road Traffic Regulations. Contact an approved Dealer about any towing equipment.
- When towing, under no circumstances may **the total train weight (vehicle + trailer) be exceeded**. However the following is permitted:
  - rear axle MMTA exceeded by no more than 15%,
  - maximum MMAC exceeded by no more than 10% or 100 kg (whichever is reached first).
 In either case, the maximum speed of the vehicle and trailer must not exceed 48 mph (80 kph), depending on local legislation, and the tyre pressure must be increased by 0.2 bar (3 PSI).
- The engine output and climbing capability are reduced with altitude. We recommend that the maximum load be reduced by 10% at an altitude of 1,000 metres and by an additional 10% for each 1,000 metres thereafter.

## WEIGHTS (in kg) (2/2)

The weights indicated for a basic vehicle without options: they vary depending on the your vehicle's equipment. Contact an approved Dealer.

COMBI Versions (versions marketed depend on country)	
<b>Maximum permissible all-up weight (MMAC) Gross Train Weight (MTR)</b>	Weights are indicated on the vehicle identification plate (refer to the information on "Vehicle identification plates" in Section 6)
<b>Braked Trailer Weight*</b>	found by calculating: <b>MTR - MMAC</b>
<b>Unbraked Trailer Weight*</b>	750
<b>Permissible nose weight*</b>	80
<b>Maximum permissible load on roof</b>	200 (including carrying device)

### \* Towing weight (towing a caravan, boat, etc.)

Towing is prohibited when the MTR - MMAC calculation is equal to zero, or when the MTR is equal to zero (or is not listed) on the identification plate.

- It is important to comply with the towing weights, governed by local legislation in each country and, in particular, laid down in the Road Traffic Regulations. Contact an approved Dealer about any towing equipment.
- When towing, under no circumstances may **the total train weight (vehicle + trailer) be exceeded**. However the following is permitted:
  - rear MMTA exceeded by no more than 15%;
  - MMAC exceeded by no more than 10% or 100 kg (whichever is reached first).In both cases, the maximum speed of the vehicle and trailer must not exceed 60 mph (100 km/h), depending on local legislation, and the tyre pressure must be increased by 0.2 bar (3 PSI).
- The engine output and climbing capability are reduced with altitude. We recommend that the maximum load be reduced by 10% at an altitude of 1,000 metres and by an additional 10% for each 1,000 metres thereafter.

## REPLACEMENT PARTS AND REPAIRS

Original parts are based on strict specifications and are subject to highly-specialised tests. Therefore, they are of at least the same level of quality as the parts fitted originally.

If you always fit genuine replacement parts to your vehicle, you will ensure that it performs well. Furthermore, repairs carried out within the manufacturer's Network using original parts are guaranteed according to the conditions set out on the reverse of the repair order.

# SERVICE SHEETS (1/6)

VIN: .....

Date:	Miles (Km):	Invoice number:	Comments/miscellaneous
<b>Type of operation:</b> Service <input type="checkbox"/> ..... <input type="checkbox"/>		<b>Stamp</b>	
<b>Anti-corrosion check:</b> OK <input type="checkbox"/> Not OK* <input type="checkbox"/> *See specific page			

Date:	Miles (Km):	Invoice number:	Comments/miscellaneous
<b>Type of operation:</b> Service <input type="checkbox"/> ..... <input type="checkbox"/>		<b>Stamp</b>	
<b>Anti-corrosion check:</b> OK <input type="checkbox"/> Not OK* <input type="checkbox"/> *See specific page			

Date:	Miles (Km):	Invoice number:	Comments/miscellaneous
<b>Type of operation:</b> Service <input type="checkbox"/> ..... <input type="checkbox"/>		<b>Stamp</b>	
<b>Anti-corrosion check:</b> OK <input type="checkbox"/> Not OK* <input type="checkbox"/> *See specific page			

# SERVICE SHEETS (2/6)

VIN: .....

Date: _____ Miles (Km): _____		Invoice number: _____		Comments/miscellaneous	
<b>Type of operation:</b>		<b>Stamp</b>			
Service <input type="checkbox"/>					
..... <input type="checkbox"/>					
<b>Anti-corrosion check:</b>					
OK <input type="checkbox"/> Not OK* <input type="checkbox"/>					
*See specific page					
Date: _____ Miles (Km): _____		Invoice number: _____		Comments/miscellaneous	
<b>Type of operation:</b>		<b>Stamp</b>			
Service <input type="checkbox"/>					
..... <input type="checkbox"/>					
<b>Anti-corrosion check:</b>					
OK <input type="checkbox"/> Not OK* <input type="checkbox"/>					
*See specific page					
Date: _____ Miles (Km): _____		Invoice number: _____		Comments/miscellaneous	
<b>Type of operation:</b>		<b>Stamp</b>			
Service <input type="checkbox"/>					
..... <input type="checkbox"/>					
<b>Anti-corrosion check:</b>					
OK <input type="checkbox"/> Not OK* <input type="checkbox"/>					
*See specific page					

# SERVICE SHEETS (3/6)

VIN: .....

Date:	Miles (Km):	Invoice number:	Comments/miscellaneous
<b>Type of operation:</b>		<b>Stamp</b>	
Service	<input type="checkbox"/>		
.....	<input type="checkbox"/>		
<b>Anti-corrosion check:</b>			
OK	<input type="checkbox"/>	Not OK*	<input type="checkbox"/>
*See specific page			

Date:	Miles (Km):	Invoice number:	Comments/miscellaneous
<b>Type of operation:</b>		<b>Stamp</b>	
Service	<input type="checkbox"/>		
.....	<input type="checkbox"/>		
<b>Anti-corrosion check:</b>			
OK	<input type="checkbox"/>	Not OK*	<input type="checkbox"/>
*See specific page			

Date:	Miles (Km):	Invoice number:	Comments/miscellaneous
<b>Type of operation:</b>		<b>Stamp</b>	
Service	<input type="checkbox"/>		
.....	<input type="checkbox"/>		
<b>Anti-corrosion check:</b>			
OK	<input type="checkbox"/>	Not OK*	<input type="checkbox"/>
*See specific page			



# SERVICE SHEETS (4/6)

VIN: .....

Date: _____ Miles (Km): _____		Invoice number: _____		Comments/miscellaneous	
<b>Type of operation:</b>		<b>Stamp</b>			
Service <input type="checkbox"/>					
..... <input type="checkbox"/>					
<b>Anti-corrosion check:</b>					
OK <input type="checkbox"/> Not OK* <input type="checkbox"/>					
*See specific page					

Date: _____ Miles (Km): _____		Invoice number: _____		Comments/miscellaneous	
<b>Type of operation:</b>		<b>Stamp</b>			
Service <input type="checkbox"/>					
..... <input type="checkbox"/>					
<b>Anti-corrosion check:</b>					
OK <input type="checkbox"/> Not OK* <input type="checkbox"/>					
*See specific page					

Date: _____ Miles (Km): _____		Invoice number: _____		Comments/miscellaneous	
<b>Type of operation:</b>		<b>Stamp</b>			
Service <input type="checkbox"/>					
..... <input type="checkbox"/>					
<b>Anti-corrosion check:</b>					
OK <input type="checkbox"/> Not OK* <input type="checkbox"/>					
*See specific page					

# SERVICE SHEETS (5/6)

VIN: .....

Date: _____ Miles (Km): _____		Invoice number: _____		Comments/miscellaneous	
<b>Type of operation:</b>		<b>Stamp</b>			
Service <input type="checkbox"/>					
..... <input type="checkbox"/>					
<b>Anti-corrosion check:</b>					
OK <input type="checkbox"/> Not OK* <input type="checkbox"/>					
*See specific page					

Date: _____ Miles (Km): _____		Invoice number: _____		Comments/miscellaneous	
<b>Type of operation:</b>		<b>Stamp</b>			
Service <input type="checkbox"/>					
..... <input type="checkbox"/>					
<b>Anti-corrosion check:</b>					
OK <input type="checkbox"/> Not OK* <input type="checkbox"/>					
*See specific page					

Date: _____ Miles (Km): _____		Invoice number: _____		Comments/miscellaneous	
<b>Type of operation:</b>		<b>Stamp</b>			
Service <input type="checkbox"/>					
..... <input type="checkbox"/>					
<b>Anti-corrosion check:</b>					
OK <input type="checkbox"/> Not OK* <input type="checkbox"/>					
*See specific page					

# SERVICE SHEETS (6/6)

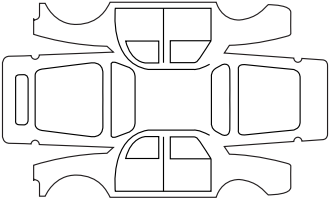
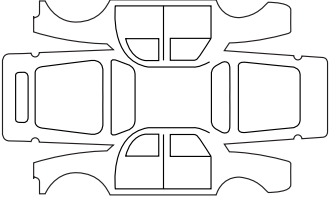
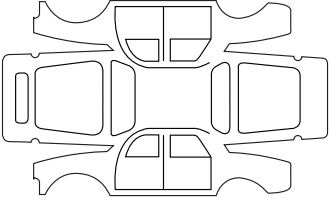
VIN: .....

Date: _____ Miles (Km): _____		Invoice number: _____	Comments/miscellaneous
<b>Type of operation:</b> Service <input type="checkbox"/> ..... <input type="checkbox"/>		<b>Stamp</b>	
<b>Anti-corrosion check:</b> OK <input type="checkbox"/> Not OK* <input type="checkbox"/> *See specific page			
Date: _____ Miles (Km): _____		Invoice number: _____	Comments/miscellaneous
<b>Type of operation:</b> Service <input type="checkbox"/> ..... <input type="checkbox"/>		<b>Stamp</b>	
<b>Anti-corrosion check:</b> OK <input type="checkbox"/> Not OK* <input type="checkbox"/> *See specific page			
Date: _____ Miles (Km): _____		Invoice number: _____	Comments/miscellaneous
<b>Type of operation:</b> Service <input type="checkbox"/> ..... <input type="checkbox"/>		<b>Stamp</b>	
<b>Anti-corrosion check:</b> OK <input type="checkbox"/> Not OK* <input type="checkbox"/> *See specific page			

# ANTICORROSION CHECK (1/5)

If the continuation of the warranty is subject to repair, it is indicated below.

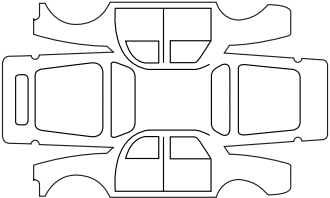
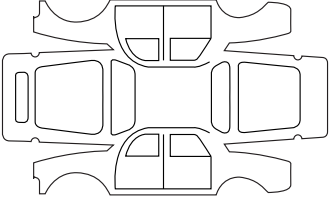
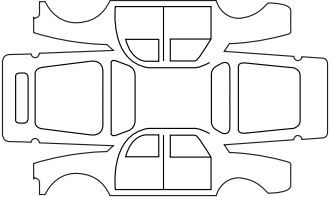
**VIN:** .....

Corrosion repair operation to be carried out:		<b>Stamp</b>
Date of repair:		
Repair to be carried out:		<b>Stamp</b>
Date of repair:		
Repair to be carried out:		<b>Stamp</b>
Date of repair:		

# ANTICORROSION CHECK (2/5)

If the continuation of the warranty is subject to repair, it is indicated below.

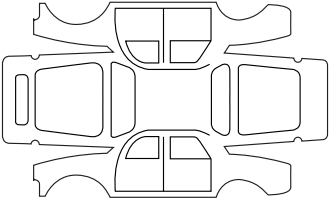
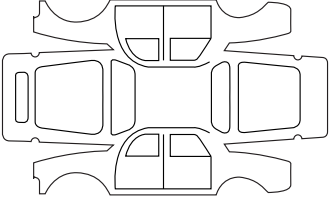
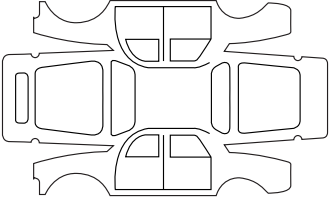
VIN: .....

Corrosion repair operation to be carried out:		<b>Stamp</b>
Date of repair:		
Repair to be carried out:		<b>Stamp</b>
Date of repair:		
Repair to be carried out:		<b>Stamp</b>
Date of repair:		

# ANTICORROSION CHECK (3/5)

If the continuation of the warranty is subject to repair, it is indicated below.

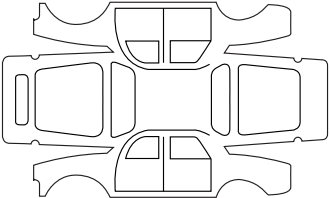
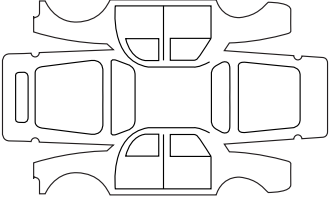
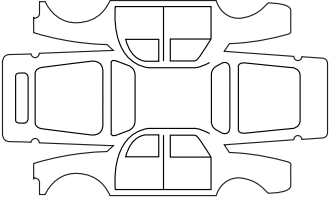
**VIN:** .....

Corrosion repair operation to be carried out:		<b>Stamp</b>
Date of repair:		
Repair to be carried out:		<b>Stamp</b>
Date of repair:		
Repair to be carried out:		<b>Stamp</b>
Date of repair:		

# ANTICORROSION CHECK (4/5)

If the continuation of the warranty is subject to repair, it is indicated below.

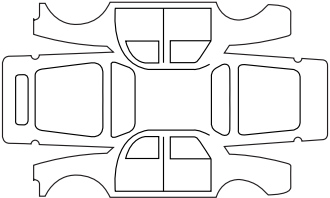
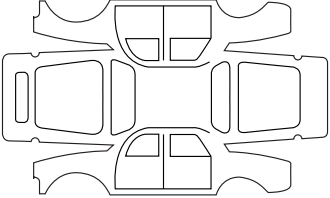
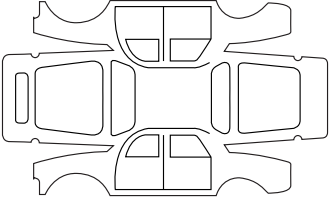
VIN: .....

Corrosion repair operation to be carried out:		<b>Stamp</b>
Date of repair:		
Repair to be carried out:		<b>Stamp</b>
Date of repair:		
Repair to be carried out:		<b>Stamp</b>
Date of repair:		

# ANTICORROSION CHECK (5/5)

If the continuation of the warranty is subject to repair, it is indicated below.

**VIN:** .....

Corrosion repair operation to be carried out:		<b>Stamp</b>
Date of repair:		
Repair to be carried out:		<b>Stamp</b>
Date of repair:		
Repair to be carried out:		<b>Stamp</b>
Date of repair:		



# ALPHABETICAL INDEX (1/5)

## A

ABS .....	1.86, 2.21 → 2.25
accessories.....	5.30
accessories socket .....	3.31 – 3.32
additional methods of restraint .....	1.43
side protection .....	1.42
to the front seat belts .....	1.37 → 1.40
to the rear seat belts .....	1.41

## A

additive (reagent).....	1.116 → 1.119
-------------------------	---------------

## A

adjusting your driving position ..	1.28 – 1.30, 1.32 → 1.36, 3.33
advice on antipollution.....	2.16
air bag.....	1.37 → 1.40, 1.42 – 1.43, 1.84
activating the front passenger air bags.....	1.79
deactivating the front passenger air bags.....	1.77
air conditioning .....	3.4 → 3.15
air vents .....	3.2 – 3.3
anti-corrosion check .....	6.18 → 6.22
anti-corrosion protection.....	4.14
anti-lock braking system: ABS.....	2.21 → 2.25
antipollution	
advice .....	2.16
armrest:	
front.....	3.26
ashtray.....	3.31 – 3.32
audible and visual signals.....	1.109

## B

battery.....	4.12 – 4.13, 5.25 – 5.26
troubleshooting .....	5.25 – 5.26
bonnet.....	4.2 – 4.3
brake fluid.....	4.8

## bulbs

changing .....	5.14 → 5.22
----------------	-------------

## C

catalytic converter.....	2.10
central door locking.....	1.4 → 1.6, 1.13, 1.16 → 1.21, 1.23 → 1.27
changing a bulb .....	5.14 → 5.22
changing a wheel.....	5.9 – 5.10
changing gear.....	2.11
child restraint/seat .....	1.44 – 1.45, 1.47 → 1.64, 1.77
child safety.....	1.15, 1.40, 1.44 – 1.45, 1.47 → 1.64, 1.77, 2.4, 3.16 – 3.17
child seats.....	1.44 – 1.45, 1.47 → 1.64
children.....	1.2, 1.7, 1.44 – 1.45, 3.16 – 3.17
children (safety).....	1.2, 1.7, 1.15
cigar lighter .....	3.31 – 3.32
cleaning:	
inside the vehicle .....	4.17 – 4.18
clock .....	1.99 – 1.100
closing the doors .....	1.14 – 1.15, 1.27
control instruments .....	1.84 → 1.91, 1.99 – 1.100
controls.....	1.80 → 1.83
courtesy light .....	3.19 → 3.21, 5.21
cruise control .....	1.87, 2.29 → 2.32
cruise control-speed limiter.....	2.26 → 2.32

## D

dashboard.....	1.80 → 1.83
deadlocking the doors .....	1.6, 1.13
demisting	
rear screen.....	3.8 → 3.11
windscreen.....	3.5, 3.8 → 3.11
dimensions .....	6.4 → 6.7
dipstick.....	4.4
display .....	1.84 → 1.89
doors.....	1.18 → 1.21

## ALPHABETICAL INDEX (2/5)

doors/tailgate .....	1.2 → 1.8, 1.13, 1.23 – 1.24, 1.27
driver's position .....	1.80 → 1.87
driving .....	2.2 → 2.6, 2.10, 2.14, 2.18 → 2.33, 2.35 – 2.36
driving position settings .....	1.32 → 1.36
driving recommendations .....	2.12 → 2.15

### E

ECO driving .....	2.12 → 2.15
ECO mode .....	2.13, 3.10
electric beam height adjustment .....	1.107 – 1.108
electric windows .....	3.16 – 3.17
electronic stability control: ESC .....	2.21 → 2.25
emergency brake assist .....	2.21 → 2.25
emergency braking .....	2.21 → 2.25
emergency key .....	1.7 – 1.8
emergency spare wheel .....	5.2 – 5.3
engine technical specifications .....	6.8
engine coolant .....	4.7
engine oil .....	4.4 → 4.6
engine oil capacity .....	4.5 – 4.6
engine oil level .....	4.4 → 4.6
engine specifications .....	6.3, 6.8
engine standby .....	2.7 → 2.9
engine start/stop button .....	2.3 → 2.6
environment .....	2.17
ESC: electronic stability control .....	1.86, 2.21 → 2.25
external temperature .....	1.100

### F

faults operating faults .....	5.36 → 5.42
----------------------------------	-------------

### F

filling with reagent .....	1.116 → 1.119
----------------------------	---------------

### F

filter air filter .....	4.9
oil filter .....	4.5 – 4.6
passenger compartment filter .....	4.9
fitting a radio .....	5.35
fittings .....	3.22 → 3.30
front seat adjustment .....	1.29 – 1.30
front seats adjustment .....	1.28 – 1.30, 1.32
fuel advice on fuel economy .....	2.12 → 2.15
consumption .....	2.12 → 2.15
filling .....	1.84, 1.113 → 1.115
grade .....	1.113 → 1.115
fuel consumption .....	2.12 → 2.15
fuel filler cap .....	1.113 → 1.115
fuel level .....	1.84 → 1.88
fuel tank capacity .....	1.113
fuel tank capacity .....	1.113 → 1.115
fuses .....	5.27 → 5.29

### G

gear lever .....	2.11
grip control .....	2.24

### H

handbrake .....	2.11
hazard warning lights signal .....	1.109
headlight beam adjustment .....	1.107 – 1.108
headrest .....	1.28, 3.33
heated seats .....	1.29
heated windscreen .....	3.8 → 3.11
heating and air conditioning system .....	3.4 → 3.12, 3.14 – 3.15
heating system .....	3.4 → 3.13

## ALPHABETICAL INDEX (3/5)

Hill Start Assist.....	2.21 → 2.25
horn .....	1.109
horn:	
flash .....	1.109
hubcap tool.....	5.7 – 5.8

### I

idle speed .....	2.34
ignition switch .....	2.2
indicator lights.....	5.20
indicators .....	1.109, 5.14 → 5.20
indicators:	
direction indicators.....	1.109
instrument panel .....	1.84 → 1.91
instrument panel.....	1.84 → 1.98
instrument panel messages.....	1.90 → 1.98
interior trim	
maintenance .....	4.17 – 4.18
Isofix .....	1.47 – 1.48

### J

jack .....	5.7 – 5.8
------------	-----------

### K

keys .....	1.2 → 1.5
------------	-----------

### L

levels .....	4.7 → 4.9
levels:	
brake fluid .....	4.8
coolant .....	4.7
windscreen washer reservoir .....	4.9
lifting the vehicle	
changing a wheel.....	5.9 – 5.10
lighting:	
exterior.....	1.103 → 1.109

instrument panel .....	1.103
interior.....	3.19 → 3.21, 5.21 – 5.22
lights	
adjustment .....	1.107 – 1.108
changing bulbs.....	5.14 → 5.16
front.....	5.14 → 5.16

### lights:

adjusting .....	1.107 – 1.108
brake lights .....	5.17 → 5.20
dipped beam headlights.....	1.84, 1.103, 5.14 → 5.16
direction indicators .....	1.84, 1.109, 5.14 → 5.17
fog lights .....	1.84, 1.106, 5.17
hazard warning .....	1.109
main beam headlights.....	1.84, 1.103, 5.14
number plate lights .....	5.20
reversing lights.....	5.17
side lights .....	1.103, 5.14 → 5.17
load permitted on the roof.....	6.9 – 6.10
locking the doors .....	1.2 → 1.8, 1.13 → 1.17, 1.23 → 1.27
luggage compartment cover .....	3.38
luggage retaining net.....	3.39 – 3.40

### M

maintenance .....	2.16
maintenance:	
bodywork .....	4.14 → 4.16
interior trim .....	4.17 – 4.18
mechanical.....	4.4, 4.12 – 4.13, 6.12 → 6.17
map reading lights .....	3.19 → 3.21
methods of restraint in addition to the seat belts ...	1.37 → 1.43
multimedia equipment .....	3.44, 5.35

### N

navigation system.....	3.44
------------------------	------

## ALPHABETICAL INDEX (4/5)

### O

oil change.....	4.5 – 4.6
opening the doors.....	1.14 – 1.15
operating faults.....	1.84 → 1.87, 5.36 → 5.42

### P

paintwork	
maintenance.....	4.14 → 4.16
parking distance control.....	2.35 – 2.36
power-assisted steering.....	1.31
pretensioners.....	1.37 → 1.40
puncture.....	5.2 – 5.3, 5.7 → 5.10

### R

radio.....	3.44
radio frequency remote control/key	
use.....	1.4 – 1.5

### R

reagent (tank).....	1.116 → 1.119
---------------------	---------------

### R

rear bench seat.....	3.34 → 3.37
rear seats.....	1.34
functions.....	3.34 → 3.37
rear view mirrors.....	1.101 – 1.102
remote control door locking	
batteries.....	5.23
remote control door locking unit.....	1.2 – 1.3
RENAULT ANTI-INTRUDER DEVICE (RAID).....	1.27
RENAULT card	
battery.....	5.24
use.....	1.7 → 1.13, 2.4 → 2.6
RENAULT card battery.....	5.24
replacement parts.....	6.11

reverse gear	
selecting.....	2.11
reversing sensor.....	2.35 – 2.36
running in.....	2.2

### S

seat belt pretensioners	
front seat belt.....	1.37 → 1.40
seat belts.....	1.32 → 1.40, 1.43
service sheets.....	6.12 → 6.17
side protection devices.....	1.42
signals and lights.....	1.103 → 1.109
speakers	
location.....	5.35
special features of diesel versions.....	2.10
speed limiter.....	1.87, 2.26 → 2.28
starting the engine.....	2.2 → 2.9
steering wheel	
adjustment.....	1.31
Stop & Start.....	1.87, 2.7 → 2.9
Stop & Start function.....	2.7 → 2.9
stopping the engine.....	2.3 → 2.6
storage compartment.....	3.22 → 3.30
storage compartments.....	3.22 → 3.30
sun visor.....	3.18
switching on the vehicle ignition.....	2.2, 2.4 → 2.6

### T

tailgate.....	3.39 → 3.42
tanks and reservoirs	
brake fluid.....	4.8
coolant.....	4.7
tanks and reservoirs:	
windscreen washer.....	4.9
technical specifications.....	6.4 → 6.11
telephone.....	3.44

## ALPHABETICAL INDEX (5/5)

temperature regulation .....	3.8 → 3.13
tool kit .....	5.7 – 5.8
towing .....	
driving .....	2.23
breakdown .....	5.33 – 5.34
towing equipment.....	3.43
towing a caravan .....	3.43, 6.9 – 6.10
towing equipment .....	
fitting .....	3.43
towing hitch.....	5.7 – 5.8, 5.33 – 5.34
towing rings .....	3.39 → 3.42
towing weights.....	6.9 – 6.10
traction control.....	2.21 → 2.25
transporting children.....	1.44 – 1.45, 1.47 → 1.64, 1.77
transporting objects .....	
in the luggage compartment .....	3.39 → 3.42
on the roof.....	6.9 – 6.10
trip computer and warning system...	1.84 → 1.87, 1.90 → 1.98
tyre inflation kit.....	5.4 → 5.6
tyre pressure.....	2.18 → 2.20, 4.10 – 4.11, 5.12
tyre pressure loss warning.....	2.18 → 2.20
tyre pressures.....	4.10 – 4.11
tyres.....	2.18 → 2.20, 4.10 – 4.11, 5.11 → 5.13

### U

unlocking the doors .....	1.23 → 1.26
use in winter .....	5.13

### V

variable power-assisted steering .....	1.31
vehicle identification plates.....	6.2 – 6.3
ventilation .....	3.2 → 3.15

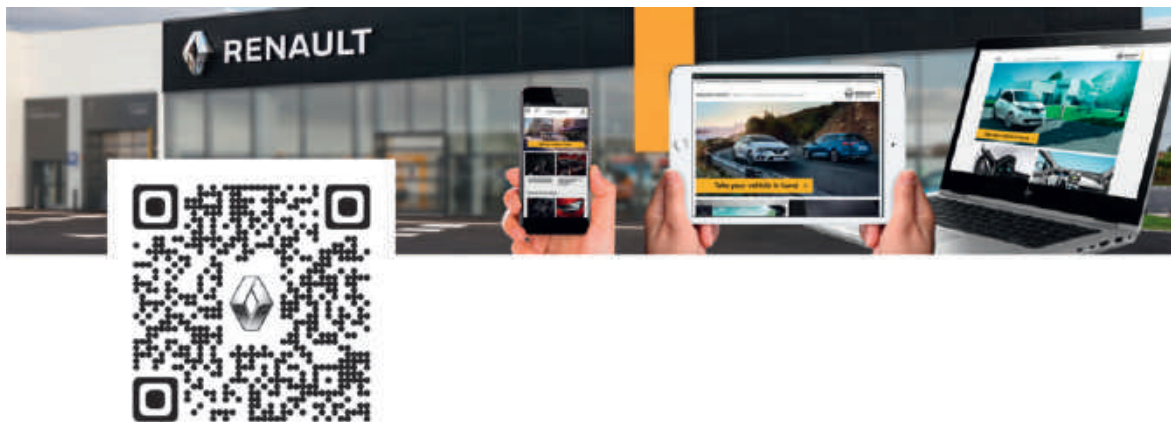
### W

warning lights.....	1.84 → 1.98
washing .....	4.14 → 4.16

weights .....	6.9 – 6.10
wheel trim .....	5.8
wheelbrace .....	5.7 – 5.8
wheels (safety) .....	5.11 → 5.13
windscreen de-icing/demisting .....	3.8 → 3.11
windscreen washer.....	1.110 → 1.112
wiper blades .....	5.31 – 5.32
wipers .....	1.110 → 1.112
blades .....	5.31 – 5.32







RENAULT S.A.S. SOCIÉTÉ PAR ACTIONS SIMPLIFIÉE AU CAPITAL DE 533 941 113 € / 13-15, QUAI LE GALLO  
92100 BOULOGNE-BILLANCOURT R.C.S. NANTERRE 780 129 987 — SIRET 780 129 987 03591 / TÉL. : 0810 40 50 60

NU 1120-10 – 99 91 002 815 – 03/2018 – Edition anglaise

